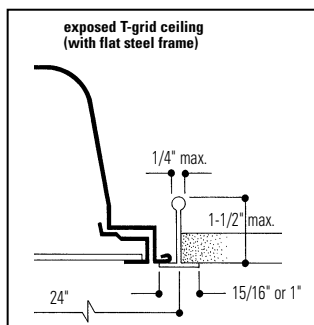
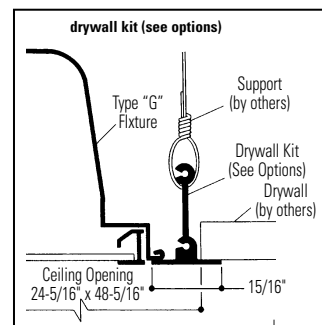
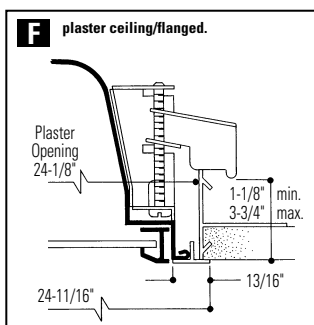
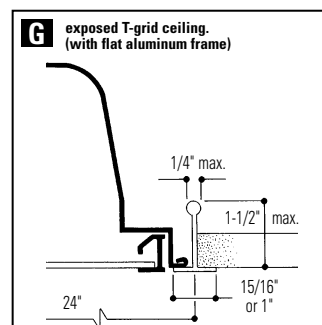


## Features

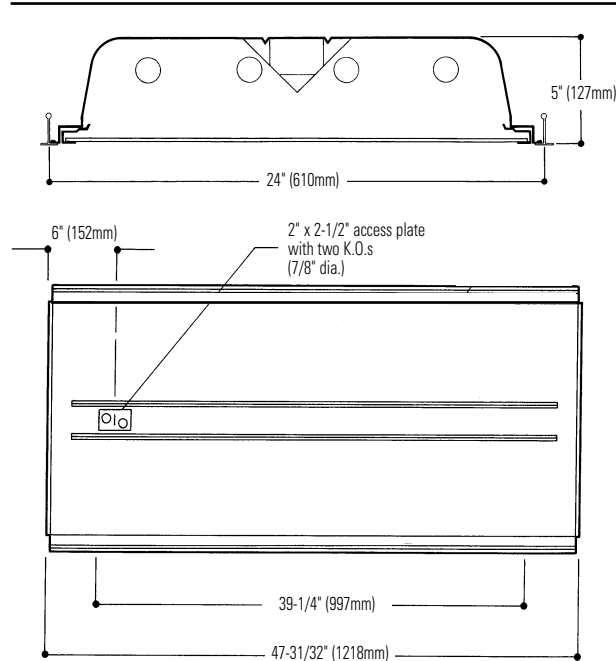
- 5" deep body.
- 3-1/16" lamp to lens for better lamp obscuration.
- 81.2% efficient.
- Clean contoured interior.
- One-piece housing has ribbed construction for added strength.
- Hemmed over side rails for maximum safety.
- Fixture ends turned-in for safe handling.
- Built-in earthquake clips (patent no. 5,072,344).
- Slimline door frame with 1000 square inch lens opening.
- Door jamb finished black on four sides for positive light stop.
- True mitered corner steel lens frame.
- Spring loaded rooster head latches.
- 18 gauge steel hinges.
- Flat and regressed aluminum doors available.



## MOUNTING METHODS



## DIMENSIONS



## Job Information

## Type:

**Job Name:**

**Cat. No.:**

**Lamp(s):**

**Volts/Ballast:**

Lightolier a Genlyte Thomas Company

www.lightolier.com

Technical Information: (978) 657-7600 • Fax (978) 658-0595

631 Airport Road, Fall River, MA 02720 • (508) 679-8131 • Fax (508) 674-4710

We reserve the right to change details of design, materials and finish.

© 2002 Genlyte Thomas Group LLC (Lightolier Division)

A0902

Section 1A/Folio E60-34

# LIGHTOLIER®



# SPECPLUS SPS2GFSVA432

### PHOTOMETRY

INDEPENDENT TESTING LABORATORIES, INC. • 3388 LONGHORN ROAD, BOULDER, CO 80302 USA • PHONE (303) 442-1255 FAX (303) 448-5274

REPORT NUMBER: ITL149786 DATE: 03/17/00  
 PREPARED FOR: LIGHTOLIER  
 CATALOG NUMBER: SPS2GFSVA432120S0  
 LUMINAIRE: FABRICATED METAL HOUSING WITH WHITE PAINTED INTERIOR FINISH, FABRICATED WHITE PAINTED METAL BALLAST COVER, CLEAR FLAT PRISMATIC PLASTIC LENS IN FABRICATED WHITE PAINTED METAL DOOR FRAME.  
 LAMPS: FOUR 32-WATT T-8 F32P8/SP41 LINEAR FLUORESCENTS.  
 BALLAST: VALMONT ELECTRIC E432P1120G11  
 MOUNTING: RECESSED  
 TOTAL REFLECTANCE OF PAINT= 92.5 %  
 THE 0 DEGREE PLANE IS PARALLEL WITH THE LAMPS.  
 TOTAL INPUT WATTS= 108.7 AT 120.0 VOLTS  
 LUMENS TO CANDELA RATIO USED= 9.15  
 REPORT IS BASED ON 2850 LUMENS PER LAMP.

CANDELA DISTRIBUTION FLUX

0	0	22.5	45.0	67.5	90.0
0	3690	3690	3690	3690	3690
5	3673	3678	3678	3679	3695
15	3546	3561	3580	3598	3612
25	3270	3293	3353	3403	3430
35	2814	2849	2948	3025	3056
45	2192	2236	2316	2408	2457
55	1410	1433	1515	1577	1613
65	770	778	765	791	853
75	440	437	355	369	420
85	178	183	152	137	139
90	0	0	0	0	0

ZONAL LUMEN SUMMARY

ZONE	LUMENS	%LAMP	%EXIT
0-30	2906	25.5	31.4
0-40	4745	41.6	51.3
0-60	7878	69.1	85.1
0-90	9257	81.2	100.0
90-180	0	0.0	0.0
0-180	9257	81.2	100.0

TOTAL LUMINAIRE EFFICIENCY = 81.2 %

CIE TYPE - DIRECT  
 PLANE : 0-DEG 90-DEG  
 SPACING CRITERIA : 1.2 1.3  
 SHIELDING ANGLES : 90 90  
 PLANE : 0-DEG 90-DEG  
 LUMINOUS LENGTH : 46.000 21.875

LUMINANCE DATA IN CANDELA/SQ M  
 ANGLE AVERAGE AVERAGE  
 IN DEG 0-DEG 45-DEG 90-DEG

45	4773.	5043.	5351.
55	3785.	4067.	4330.
65	2808.	2787.	3108.
75	2618.	2112.	2320.
85	3145.	2685.	2456.

Checked M.B.  
Approved R. Beattie

THIS REPORT IS BASED ON PUBLISHED INDUSTRY PROCEDURES. FIELD PERFORMANCE MAY DIFFER FROM LABORATORY PERFORMANCE

### MODEL NO. SPS2GFSVA432

Luminaire Efficacy Rating  
LER-73.2 Watts-108.7 BF-0.86

#### coefficients of utilization — zonal cavity method (effective floor cavity reflectance 0.20)

RF	20						30					
RC	80						50					
RW	70	50	30	50	30	10	50	30	10	50	30	
room cavity ratio	1	89	85	82	80	78	76	77	75	73	71	
2	82	75	70	71	67	64	68	65	62	61	57	
3	75	67	61	63	58	54	61	57	53	55	50	
4	69	60	53	57	51	47	55	50	46	45	44	
5	64	54	47	51	45	41	45	40	36	41	36	
6	59	49	42	46	41	36	41	36	32	38	33	
7	55	44	37	42	36	32	38	33	29	35	30	
8	51	40	34	39	33	29	35	30	26	32	27	
9	48	37	31	36	30	26	32	27	24	29	24	
10	45	34	28	33	28	24	29	24	20	25	20	

#### visual comfort probability (rated lumens per lamp 3150.)

W	L	ceiling height				ceiling height			
		8.5	10.0	13.0	16.0	8.5	10.0	13.0	16.0
20	20	57	62	69	77	57	60	67	75
20	30	49	54	59	66	52	54	58	64
20	40	45	49	54	59	49	51	54	57
20	60	41	45	49	54	46	49	51	54
30	20	59	63	68	75	59	62	66	73
30	30	50	54	58	64	53	55	57	62
30	40	45	49	52	56	49	51	53	55
30	60	41	44	47	51	46	48	49	52
30	60	39	42	43	47	44	46	47	50
40	20	61	65	69	74	61	64	68	73
40	30	52	56	59	64	54	57	59	62
40	40	47	50	53	56	50	52	54	56
40	60	42	45	47	50	46	49	49	51
40	80	39	42	43	46	44	47	47	49
40	100	38	40	41	44	43	45	46	47
60	30	54	58	60	64	55	58	59	63
60	40	48	51	53	57	51	53	54	56
60	60	43	45	47	50	47	49	49	51
60	80	40	42	43	46	44	46	47	49
60	100	38	40	40	43	43	45	45	47
100	40	51	54	56	59	53	55	56	59
100	60	46	48	49	53	49	51	51	53
100	80	42	44	44	48	46	48	48	50
100	100	40	42	42	44	44	46	46	47

### ORDERING INFORMATION

Explanation of Catalog Number. Example: SPS2GFSVA43212004RF

<b>SP</b>	<b>S</b>	<b>2</b>		<b>VA</b>	<b>4</b>					
<b>SPECPLUS:</b> Recessed fluorescent troffer	<b>STATIC</b>	<b>FIXTURE WIDTH</b>	<b>CEILING TYPE:</b> G=Grid (lay-in T bar) F=Flanged (overlap) Z spline and plaster frame	<b>LENS FRAME:</b> FS=Flat steel frame RA=Regressed aluminum frame FA=Flat aluminum frame	<b>LAMP QUANTITY</b>	<b>LENS/SHIELDING TYPE:</b> VA (virgin acrylic) standard (see options and consult factory)	<b>LAMP/ FIXTURE LENGTH:</b> 32=T8 34=T12 (Nominal 48")	<b>VOLTAGE:</b> 120 or 277	<b>BALLAST TYPE:</b> LE 2-2 Lamp Mag. T12 2-2 Lamp Elec. T8 1-4 Lamp Elec. T8 LOL T8 Dimming *Instant Start Standard Other dimming options. Consult factory.	<b>OPTIONS:</b> Add appropriate suffix to catalog no., ie: (GLR) SO* <20THD O4* <10THD PS HI* H4*

### OPTIONS & ACCESSORIES

**SPECIAL LENSES:** Substitute VB for VA (standard) = .125" nominal pattern 12 with 7.8 oz. average weight per square foot. Substitute VI for VA (standard) = .125" nominal pattern 12 with 6.8 oz. average weight per square foot.

**PLASTER FRAME:** Catalog Number **PF24**.

**CONTINUOUS ROW INSTALLATION:** For F type fixtures, half width flanges are required between fixtures. Order Catalog Number: **SZFCRIM** (each joint).

**RADIO INTERFERENCE FILTER:** 120 or 277 volt, 50 or 60 Hz. One per fixture is standard. SUFFIX: **RF**.

**FUSING:** Internal fast-blow fusing. SUFFIX: **GLR**.  
Internal slow-blow fusing. SUFFIX: **GMF**.

**ELECTRICAL/WIRING OPTIONS:** Consult factory.

**DRYWALL KIT:** Order Catalog Number: **FK92X4**. Request Folio OA30-10.

**CHICAGO PLENUM:** SUFFIX: **CP**.

### SPECIFICATIONS

**PERFORMANCE:** In an installation of 4 lamp 32W luminaires in a room cavity ratio of 1, reflectance 80% ceiling, 50% wall, 20% floor, the C.U. shall not be less than .85. To prevent glare the VCP shall be not less than 43 either lengthwise or crosswise (at 100fc level) and the average brightness at 65° shall not exceed 3108 candelas per square meter. To control veiling reflections, luminaire output in the 30°-90° zone shall not be less than 68.6%.

### SPECIFICATIONS (continued)

**MATERIALS:** Chassis parts are die-formed code gauge cold rolled steel. Housing with side rails hemmed over and housing ends turned-in for safe handling.

**FINISH:** Chassis exterior—black baked polyester enamel. Cavity—white baked polyester enamel minimum 86% reflectance. Phosphate undercoating.

**LENSES:** VA (standard) extruded virgin acrylic, 3/16" square based female cones, running 45° to the panel edge, .095" nominal thickness (similar to pattern 12). VB (optional) .125" nominal pattern 12 with 7.8 oz. average weight per square foot. VI (optional) .125" nominal pattern 12 with 6.8 oz. average weight per square foot.

**ELECTRICAL:** Thermally protected class "P" ballast C.B.M. approved, non PCB. If K.O. is within 3' of ballast, use wire suitable for at least 90°.

**LABELS:** I.B.E.W./UL and ULc Listed.

### Job Information Type:

Lightolier a Genlyte Thomas Company www.lightolier.com  
Technical Information: (978) 657-7600 • Fax (978) 658-0595  
631 Airport Road, Fall River, MA 02720 • (508) 679-8131 • Fax (508) 674-4710  
We reserve the right to change details of design, materials and finish.  
© 2002 Genlyte Thomas Group LLC (Lightolier Division)  
A0902 Section 1A/Folio E60-34

# LIGHTOLIER