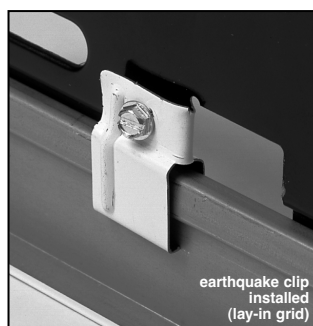
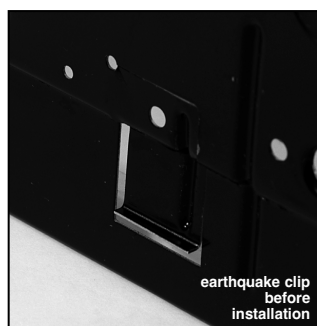
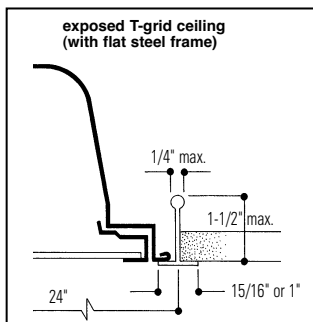
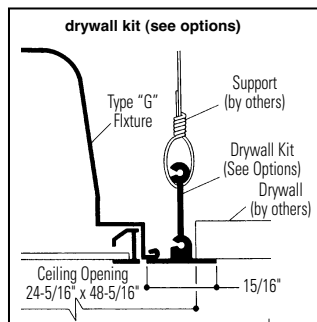
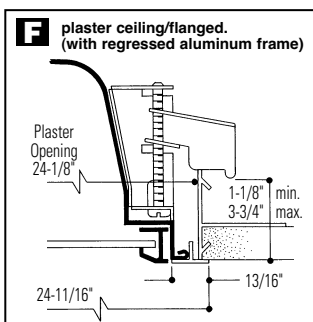
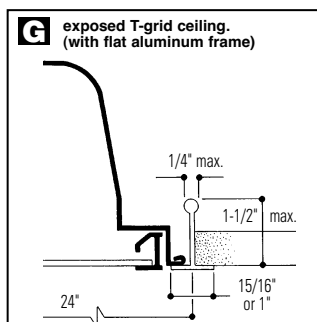


Features

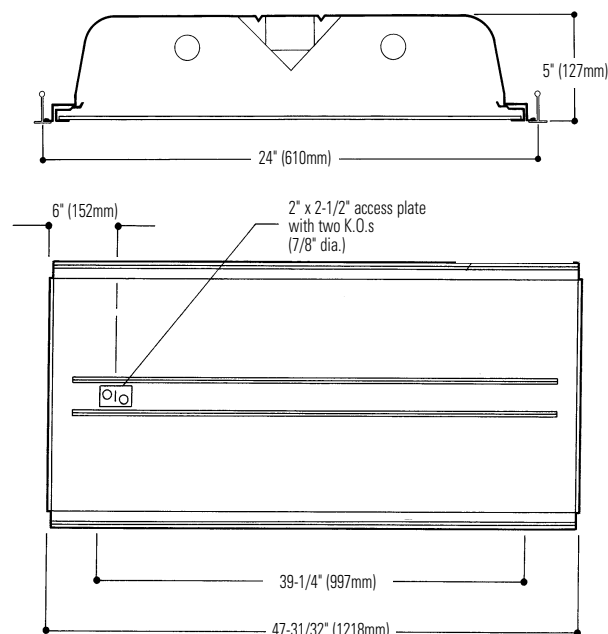
- 5" deep body.
- 3-1/16" lamp to lens for better lamp obscuration.
- 83.2% efficient.
- Clean contoured interior.
- One-piece housing has ribbed construction for added strength.
- Hemmed over side rails for maximum safety.
- Fixture ends turned-in for safe handling.
- Built-in earthquake clips (patent no. 5,072,344).
- Slimline door frame with 1000 square inch lens opening.
- Door jamb finished black on four sides for positive light stop.
- True mitered corner steel lens frame.
- Spring loaded rooster head latches.
- 18 gauge steel hinges.
- Flat and regressed aluminum doors available.



MOUNTING METHODS



DIMENSIONS



Job Information

Type:

Job Name:

Cat. No.:

Lamp(s):

Volts/Ballast:

Lightolier a Genlyte Thomas Company

www.lightolier.com

Technical Information: (978) 657-7600 • Fax (978) 658-0595

631 Airport Road, Fall River, MA 02720 • (508) 679-8131 • Fax (508) 674-4710

We reserve the right to change details of design, materials and finish.

© 2002 Genlyte Thomas Group LLC (Lightolier Division)

A0902

Section 1A/Folio E60-30

LIGHTOLIER®



SPECPLUS SPS2GFSVA232

PHOTOMETRY

ifl boulder
THE LIGHT CENTER OF THE MOUNTAIN
 INDEPENDENT TESTING LABORATORIES, INC. • 3386 LONGHORN ROAD, BOULDER, CO 80502 USA • PHONE (303) 442-1255 FAX (303) 449-5274

REPORT NUMBER: ITL49784 DATE: 03/20/00
 PREPARED FOR: LIGHTOLIER
 CATALOG NUMBER: SPS2GFSVA232120S0
 LUMINAIRE: FABRICATED METAL HOUSING WITH WHITE PAINTED INTERIOR FINISH, FABRICATED WHITE PAINTED METAL BALLAST COVER, CLEAR FLAT PRISMATIC PLASTIC LENS IN FABRICATED WHITE PAINTED METAL DOOR FRAME.

LAMPS: TWO 32-WATT T8 F32T8/SP41 LINEAR FLUORESCENTS.
 BALLAST: MOTOROLA M2-RN-T8-LLD-120
 MOUNTING: RECESSED
 TOTAL REFLECTANCE OF PAINT= 90.1 %
 THE 0 DEGREE PLANE IS PARALLEL WITH THE LAMPS.
 TOTAL INPUT WATTS= 61.2 AT 120.0 VOLTS
 LUMEN TO CANDELA RATIO USES 3.19
 REPORT IS BASED ON 2850 LUMENS PER LAMP.

CANDELA DISTRIBUTION	FLUX
0 0 22.5 45.0 67.5 90.0	
0 1817 1817 1817 1817 1817	
5 1811 1810 1812 1814 1815	173
15 1751 1757 1773 1790 1798	502
25 1613 1632 1680 1726 1748	775
35 1398 1423 1512 1592 1622	943
45 1083 1130 1220 1297 1325	932
55 699 737 803 840 859	707
65 398 402 406 422 450	414
75 218 220 181 188 202	214
85 86 89 76 69 68	83
90 0 0 0 0 0	

ZONAL LUMEN SUMMARY

ZONE	LUMENS	%LAMP	%FIXT
0-30	1449	25.4	30.6
0-40	2392	42.0	50.4
0-60	4032	70.7	85.0
0-90	4743	83.2	100.0
90-180	0	0.0	0.0
0-180	4743	83.2	100.0

TOTAL LUMINAIRE EFFICIENCY = 83.2 %

CIE TYPE - DIRECT
 PLANE : 0-DEG 90-DEG
 SPACING CRITERIA : 1, 2 1, 4
 SHIELDING ANGLES : 90 90
 PLANE : 0-DEG 90-DEG
 LUMINOUS LENGTH : 46.000 21.875

LUMINANCE DATA IN CANDELA/SQ M
 ANGLE AVERAGE AVERAGE
 IN DEG 0-DEG 45-DEG 90-DEG
 45 2358. 2657. 2885.
 55 1877. 2156. 2306.
 65 1414. 1479. 1640.
 75 1297. 1077. 1202.
 85 1519. 1343. 1201.

Checked: M.B.
 Approved: R. Beattie

THIS REPORT IS BASED ON PUBLISHED INDUSTRY PROCEDURES. FIELD PERFORMANCE MAY DIFFER FROM LABORATORY PERFORMANCE.

MODEL NO. SPS2GFSVA232

Luminaire Efficacy Rating
LER-67.4 Watts-61.2 BF-0.87

coefficients of utilization — zonal cavity method (effective floor cavity reflectance 0.20)

RF	20						20					
RC	80						50					
RW	70	50	30	50	30	10	50	30	10	50	30	10
room cavity ratio	1	91	88	84	82	80	77	79	77	75		
	2	84	77	72	73	69	65	70	67	64		
	3	77	68	62	65	60	55	62	58	54		
	4	70	61	54	58	52	48	56	51	47		
	5	65	55	48	52	46	42	50	45	41		
	6	60	49	42	47	41	37	46	40	36		
	7	56	45	38	43	37	33	42	36	32		
	8	52	41	34	39	33	29	38	33	29		
	9	49	38	31	36	30	26	35	30	26		
	10	46	35	28	34	28	24	33	28	24		

visual comfort probability (rated lumens per lamp 3150.)

room size		ceiling height				ceiling height			
W	L	8.5	10.0	13.0	16.0	8.5	10.0	13.0	16.0
20	20	71	76	82	88	71	74	79	85
20	30	66	69	75	80	67	69	72	77
20	40	62	65	70	75	65	67	69	72
20	60	59	62	66	70	63	65	67	69
30	20	73	77	81	86	72	75	79	84
30	30	66	70	73	78	68	70	72	76
30	40	62	65	69	72	65	67	68	70
30	60	58	61	64	68	62	64	65	67
30	80	56	59	61	65	61	63	63	65
40	20	75	78	82	86	74	77	80	84
40	30	68	71	74	78	69	71	73	76
40	40	63	66	69	72	66	68	69	70
40	60	59	62	64	67	63	65	65	67
40	80	57	59	60	63	61	63	63	65
40	100	56	57	58	61	60	62	62	63
60	30	69	72	75	78	70	72	74	76
60	40	64	67	69	72	66	68	69	71
60	60	59	62	63	66	63	65	65	67
60	80	57	59	60	63	61	63	63	64
60	100	55	57	57	60	59	61	61	63
100	40	67	70	71	74	69	70	71	73
100	60	62	64	65	68	65	66	67	68
100	80	59	61	61	64	62	64	64	65
100	100	57	58	58	61	60	62	62	63

ORDERING INFORMATION

Explanation of Catalog Number. Example: SPS2GFSVA232120SORF

SP	S	2			VA	2			
SPECPLUS: Recessed fluorescent troffer	STATIC	FIXTURE WIDTH 2	CEILING TYPE: G= Grid (lay-in T bar) F= Flanged (overlap) Z spline and plaster frame	LENS FRAME: FS= Flat steel frame RA= Regressed aluminum frame FA= Flat aluminum frame	VA (virgin acrylic) VA (virgin acrylic) standard (see options and consult factory)	LAMP QUANTITY 2	LAMP/ FIXTURE LENGTH: 32=T8 34=T12 (Nominal 48")	VOLTAGE: 120 or 277	OPTIONS: Add appropriate suffix to catalog no., ie: (GLR)
								BALLAST TYPE: LE 1-2 Lamp Mag. T12 1-2 Lamp Elec. T8 LOL T8 Dimming *Instant Start Standard	LE <20THD SO* FS HI* -

Other dimming options. Consult factory.

OPTIONS & ACCESSORIES

SPECIAL LENSES: Substitute VB for VA (standard) = .125" nominal pattern 12 with 7.8 oz. average weight per square foot. Substitute VI for VA (standard) = .125" nominal pattern 12 with 6.8 oz. average weight per square foot.

PLASTER FRAMES: Catalog Number **PF24**.

CONTINUOUS ROW INSTALLATION: For F type fixtures, half width flanges are required between fixtures. Order Catalog Number: **SZFCRIM** (each joint).

RADIO INTERFERENCE FILTER 120 or 277 volt, 50 or 60 Hz. One per fixture is standard. SUFFIX: **RF**.

FUSING: Internal fast-blow fusing. SUFFIX: **GLR**.
Internal slow-blow fusing. SUFFIX: **GMF**.

ELECTRICAL/WIRING OPTIONS: Consult factory.

DRYWALL KIT: Order Catalog Number: **FK92X4**. Request Folio OA30-10.

CHICAGO PLENUM: SUFFIX: **CP**.

SPECIFICATIONS

PERFORMANCE: In an installation of 2 lamp 32W luminaires in a room cavity ratio of 1, reflectance 80% ceiling, 50% wall, 20% floor, the C.U. shall not be less than .88. To prevent glare the VCP shall be not less than 59 either lengthwise or crosswise (at 100fc level) and the average brightness at 65" shall not exceed 1640 candelas per square meter. To control veiling reflections, luminaire output in the 30°-90° zone shall not be less than 69.4%.

SPECIFICATIONS (continued)

MATERIALS: Chassis parts are die-formed code gauge cold rolled steel. Housing with side rails hemmed over and housing ends turned-in for safe handling.

FINISH: Chassis exterior—black baked polyester enamel. Cavity—white baked polyester enamel minimum 86% reflectance. Phosphate undercoating.

LENSES: VA (standard) extruded virgin acrylic, 3/16" square based female cones, running 45° to the panel edge, .095" nominal thickness (similar to pattern 12). VB (optional) .125" nominal pattern 12 with 7.8 oz. average weight per square foot. VI (optional) .125" nominal pattern 12 with 6.8 oz. average weight per square foot.

ELECTRICAL: Thermally protected class "P" ballast C.B.M. approved, non PCB. If K.O. is within 3" of ballast, use wire suitable for at least 90°.

LABELS: I.B.E.W./UL and C-UL.

Job Information Type:

Lightolier a Genlyte Thomas Company www.lightolier.com
 Technical Information: (978) 657-7600 • Fax (978) 658-0595
 631 Airport Road, Fall River, MA 02720 • (508) 679-8131 • Fax (508) 674-4710
 We reserve the right to change details of design, materials and finish.
 © 2002 Genlyte Thomas Group LLC (Lightolier Division)
 A0902 **Section 1A/Folio E60-30**

LIGHTOLIER