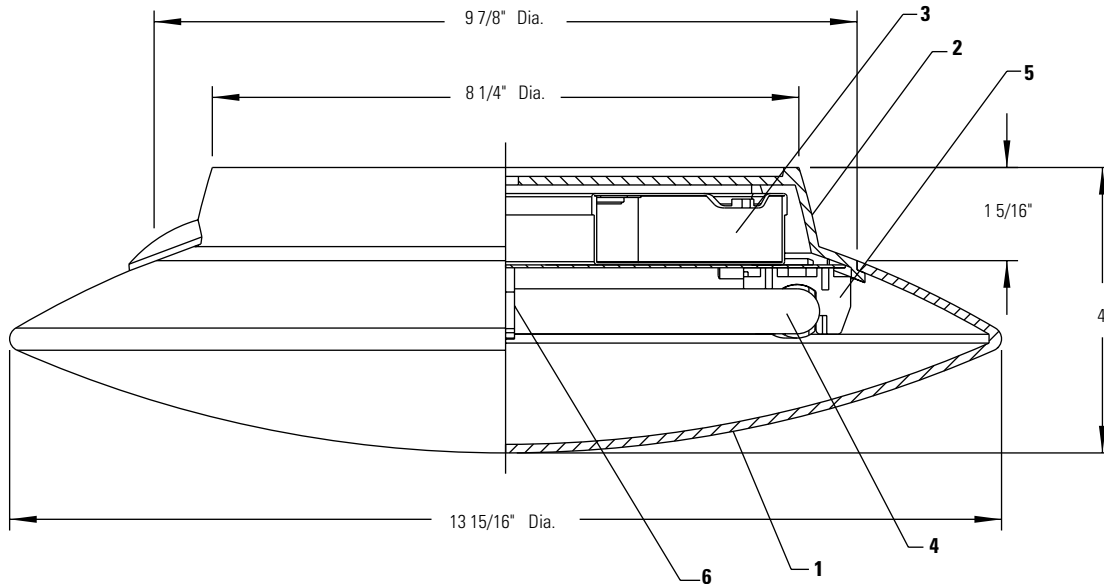




Specification Decorative Discus™ 6700MS22U



Ordering Information

Catalog No.	Finish	Wattage	Voltage	Lamping	
6700MS22U	Matte Silver	22W	120V-277V	Philips FC9T5/*	Sylvania FPC22/*

*Designates manufacturers' color temperature.

Features

- 1. Diffuser:** Acrylic, injection molded and bonded into one piece assembly; 0.12" minimum thickness; 70% light transmission. Lights evenly without discernible hot spots. Integral tabs provide "twist-lock" installation; no loose hardware, no tools required.
- 2. Housing:** Polycarbonate, injection molded. Shatter resistant. Integral bosses retain diffuser without loose hardware. Tamperproof fastener is optional.
- 3. Ballast:** Electronic; High power factor; Class P. See Electrical/Ballast.
- 4. Lamp:** 22W, T5, Circline; 2GX13 base (by others).
- 5. Lamp Socket:** Polycarbonate, 4-Pin, 2GX13 base.
- 6. Lamp Support Clip:** .020" thick, spring steel.

Labels

UL Listed. Suitable for Damp Locations.

Mounting

Ceiling or wall (ADA compliant). Mounts to standard 4" outlet box.

Options

- + Shatter resistant polycarbonate diffuser with tamperproof set screw. Add TPR to end of catalog number.
- + Designates made to order only. Consult factory for lead times.

Electrical/Ballast

	22W Lamp	
	120V	277V
Total Input Watts:	25	25
Max. Line Current:	.22	.10
Power Factor:	>.98	>.98
Ballast Factor:	1.00	1.00
THD:	<10%	<10%
Min. Starting Temp:	0°F	0°F

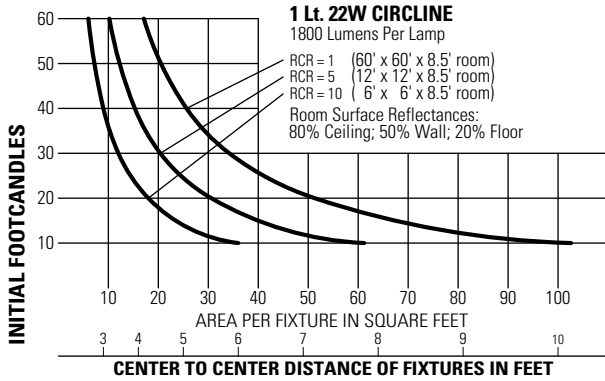
Job Information	Type:
Job Name:	
Cat. No.:	
Lamp(s):	
Notes:	

Lightolier a Genlyte Thomas Company www.lightolier.com
 631 Airport Road, Fall River, MA 02720 • (508) 679-8131 • Fax (508) 674-4710
 We reserve the right to change details of design, materials and finish.
 © 2002 Genlyte Thomas Group LLC (Lightolier Division) • A0902

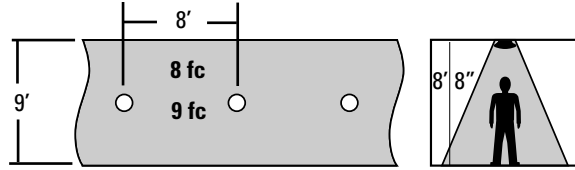
LIGHTOLIER®



Specification Decorative Discus™ 6700MS22U



Use quick calculator chart to determine the number and spacing of luminaires for desired level of illumination.



Corridor
6700MS22U
6.4 fc. average
0.35W/sf

SPACING RATIO = 1.3

CERTIFIED TEST REPORT NO. 1927FR
COMPUTED BY LSI PROGRAM **TEST-LITE**
LIGHTOLIER SURFACE UTILITY FLUORESCENT, DISCUS
WITH TWIST LOCK DIFFUSER
22W T5 CIRCLINE SYLVANIA LAMP. LUMEN RATING = 1800 LMS.
MAGNETEK BALLAST #C2642UNVSE, 120V

CANDLEPOWER SUMMARY

ANGLE	MEAN CP	LMS	ANGLE	MEAN CP	LMS
0	247		90	28	
5	246	24	95	25	29
10	243		100	25	
15	238	68	105	28	30
20	232		110	32	
25	222	103	115	37	37
30	212		120	42	
35	199	125	125	48	44
40	185		130	54	
45	169	131	135	58	45
50	152		140	61	
55	133	120	145	64	40
60	114		150	65	
65	94	94	155	65	31
70	76		160	65	
75	59	64	165	64	18
80	46		170	59	
85	35	40	175	57	6
90	28		180	54	

Date: June 25, 2002
Prepared for: Lightolier, Fall River, MA

ZONAL LUMENS AND PERCENTAGES

ZONE	LUMENS	% LAMP	% LUMINAIRE
0-30	193	10.76	18.58
0-40	318	17.69	30.57
0-60	568	31.59	54.57
0-90	765	42.52	73.45
40-90	446	24.83	42.89
60-90	196	10.93	18.89
90-180	276	15.37	26.55
0-180	1042	57.89	100.00

** EFFICIENCY = 57.9% **

COEFFICIENTS OF UTILIZATION
% EFFECTIVE CEILING CAVITY REFLECTANCE

ROOM CAVITY RATIO	% EFFECTIVE CEILING CAVITY REFLECTANCE															
	80			70			50			30			10			
	50	30	10	50	30	10	50	30	10	50	30	10	0			
1	.57	.54	.52	.54	.52	.50	.49	.47	.45	.44	.42	.41	.39	.38	.37	.35
2	.49	.46	.42	.47	.43	.41	.42	.40	.37	.38	.36	.34	.34	.33	.31	.29
3	.43	.39	.35	.41	.37	.34	.38	.34	.32	.34	.31	.29	.31	.29	.27	.23
4	.39	.34	.30	.37	.32	.25	.33	.30	.27	.30	.27	.25	.27	.25	.23	.21
5	.34	.29	.25	.32	.28	.24	.30	.26	.23	.27	.24	.21	.24	.22	.20	.18
6	.30	.25	.22	.29	.24	.21	.26	.23	.20	.24	.21	.18	.22	.19	.17	.16
7	.27	.22	.19	.26	.22	.18	.24	.20	.17	.22	.18	.16	.20	.17	.15	.14
8	.24	.20	.16	.23	.19	.16	.21	.18	.15	.20	.16	.14	.18	.15	.13	.12
9	.22	.17	.14	.21	.17	.14	.19	.16	.13	.18	.14	.12	.16	.13	.11	.10
10	.20	.15	.12	.19	.15	.12	.18	.14	.11	.16	.13	.11	.15	.12	.10	.09

25% FLOOR CAVITY REFLECTANCE

Job Information **Type:**

Lightolier a Genlyte Thomas Company www.lightolier.com
631 Airport Road, Fall River, MA 02720 • (508) 679-8131 • Fax (508) 674-4710
We reserve the right to change details of design, materials and finish.
© 2002 Genlyte Thomas Group LLC (Lightolier Division) • A0902

LIGHTOLIER