

# SLB Surface Box 1' x 4' Fluorescent **SLB1SFSVA232**

Page 1 of 2

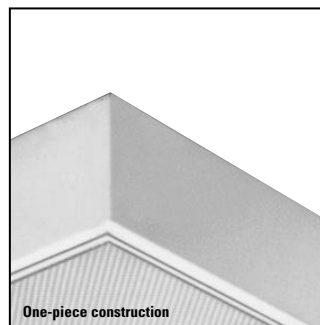
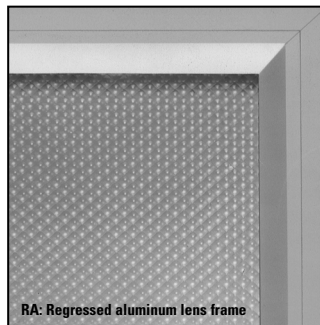
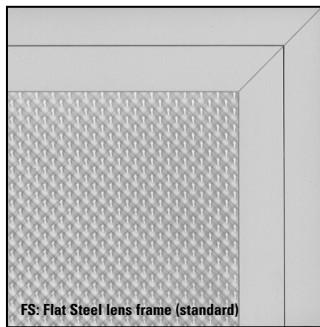
Flat Steel or Regressed Aluminum Frame, 2 Lamp T8 or T12

## Features

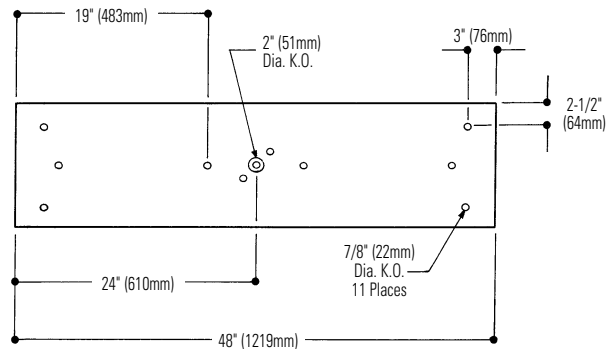
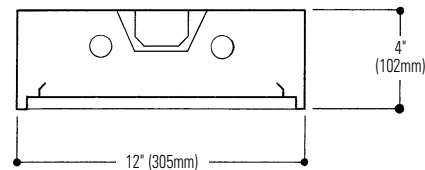
- Shallow 4" deep body.
- Positive cam-action latches frame on either side.
- Efficiency 56.2% (2 T8).
- Center mounted ballast compartment (2 lamps).
- Snap-on wiring channel cover removed without tools.
- Matte black light seal on both sides to prevent light leaks.
- Spot welded one-piece construction.



## Mounting Methods



## Dimensions



## Job Information

## Type:

**Job Name:**

**Cat. No.:**

**Lamp(s):**

**Volts/Ballast:**

**Lightolier** a Genlyte Thomas Company

[www.lightolier.com](http://www.lightolier.com)

Technical Information: (978) 657-7600 • Fax (978) 658-0595

631 Airport Road, Fall River, MA 02720 • (508) 679-8131 • Fax (508) 674-4710

We reserve the right to change details of design, materials and finish.

Copyright 2002 Lightolier

**Section 3A/Folio H70-10**

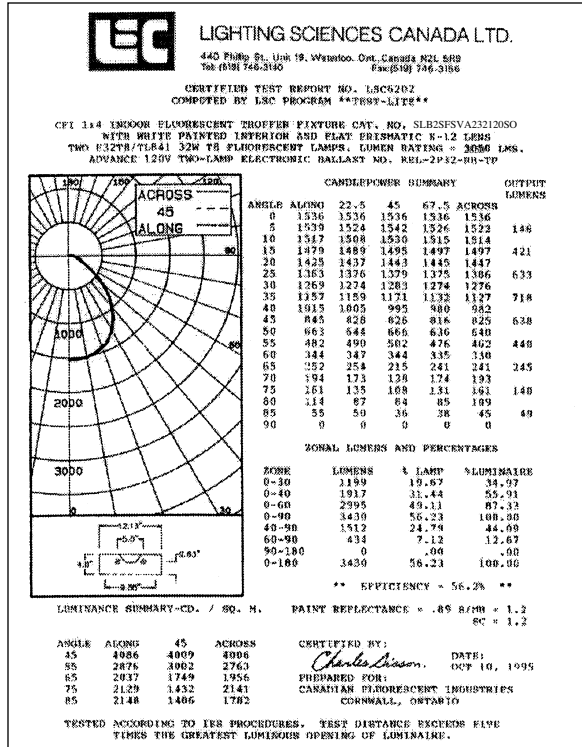
**LIGHTOLIER**®



# SLB Surface Box 1' x 4' Fluorescent **SLB1SFSVA232**

### Photometry

Model No. SLB1SFSVA232120S0



coefficients of utilization — zonal cavity method

	20			50			80		
	RF	RC	RW	RF	RC	RW	RF	RC	RW
room cavity ratio	1	62	60	58	56	55	54	54	53
	2	58	54	51	51	48	46	49	47
	3	53	48	45	46	43	40	45	42
	4	49	44	39	42	38	36	40	37
	5	46	39	35	37	34	31	36	33
	6	42	36	31	34	30	27	33	30
	7	39	32	28	31	27	24	30	27
	8	36	29	25	28	24	21	27	24
	9	33	26	22	25	21	19	25	21
	10	31	24	20	23	19	17	23	19

### Ordering Information

Explanation of Catalog Number. Example: SLB1SFSVA232120S0

<b>SL</b>	<b>B</b>	<b>1</b>	<b>S</b>		<b>VA</b>	<b>2</b>				
SLB Surface: Lens Frame Surface Fluorescent	Body Style: Surface Box	Fixture Width	Ceiling Type: S = Surface	Lens Frame: FS = Flush full- size steel frame RA = Regressed flush full- size aluminum frame	Lens Shielding Type: VA = Pattern 12 lens, .095" nominal pris- matic lens (standard). see options and consult factory.	Lamp Quantity: 2 = 2 Lamp	Lamp/Fixture Length: 32 = T8 34 = T12 (Nominal 48")	Voltage: 120 or 277	Ballast Type: 1 & 2 Lamp Mag. T12 LE <20THD <10THD 1 & 2 Lamp Elec. T8 SO* HI* LOL Dimming T8 PS - *Instant Start Standard Other dimming options. Consult factory.	Options: Add appropriate suffix to catalog no. ie: (GLR)

### Options & Accessories

**Fusing:** Internal fast-blow fusing. Suffix: **GLR**.

Internal slow-blow fusing. Suffix: **GMF**.

**Electrical/Wiring Options:** Consult factory.

**Radio Interference Filter:** 120 or 277 volt, 50 or 60 Hz. One per fixture.

Suffix: **R**. One per ballast, Suffix: **B**.

**Stem and Canopy Sets:** Suspends fixture 6", 12" 18" or 24" from surface. (Four per fixture is recommended. Catalog Number: **ASC6 CSP** (6"), **ASC12 CSP** (12"), **ASC18 CSP** (18"), **ASC24 CSP** (24").

### Specifications

**Performance:** In an installation of 2 lamp 32W luminaires in a room cavity ratio of 1, with a reflectance of 80% ceiling, 50% wall, 20% floor, the C.U. shall not be less than .60. To prevent glare the average brightness at 65° shall not exceed 2037 candelas per square meter. To control veiling reflections, luminaire output in the 30-90° zone shall be not less than 65%.

**Materials:** Chassis parts are die-formed 20 gauge cold rolled steel.

**Finish:** White baked polyester powder coat.

**Electrical:** Thermally protected class "P" ballast C.B.M. approved, non PCB. If K.O. is within 3" of ballast, use wire suitable for at least 90°.

**Labels:** I.B.E.W./UL and C-UL.

### Job Information

### Type:

Lightolier a Genlyte Thomas Company [www.lightolier.com](http://www.lightolier.com)  
Technical Information: (978) 657-7600 • Fax (978) 658-0595  
631 Airport Road, Fall River, MA 02720 • (508) 679-8131 • Fax (508) 674-4710  
We reserve the right to change details of design, materials and finish.  
Copyright 2002 Lightolier **Section 3A/Folio H70-10**

**LIGHTOLIER**