

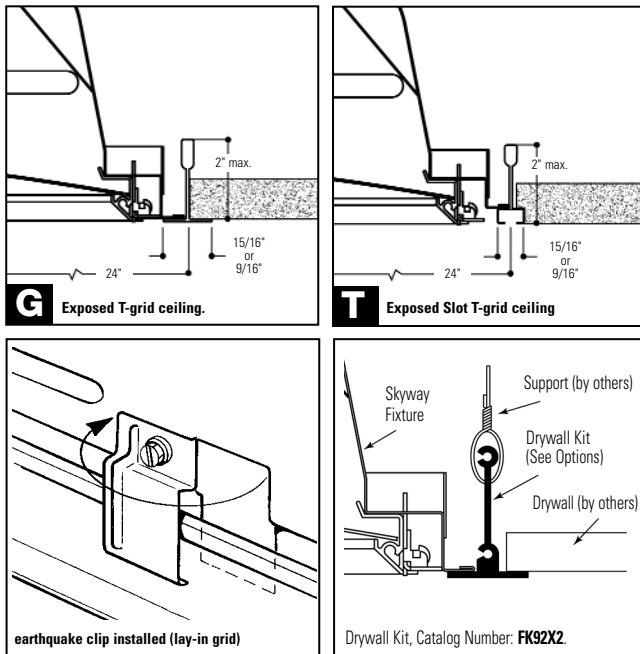
2' x 2' Recessed Fluorescent, Tri-Lens Frame
Static or Air Supply/Return, 2 or 3 Lamp T8

Features

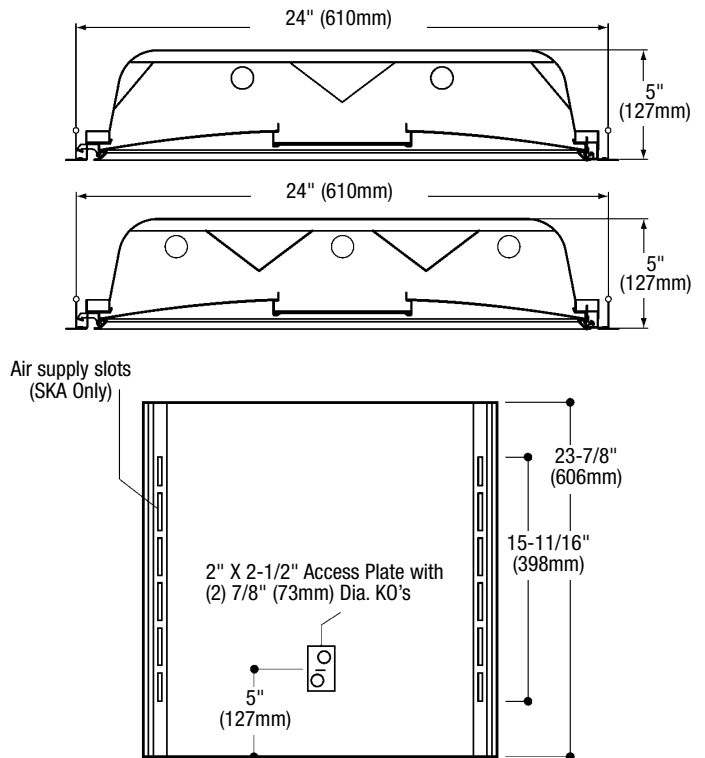
- Aesthetically pleasing triple lens design.
- Curved high light transmission frost white acrylic side lenses.
- Clear acrylic conical prismatic center lens.
- Internal reflector coated with 95% reflective white paint.
- 70.7% efficient 2 Lamp 17 watt T8.
- 72.9% efficient 3 Lamp 17 watt T8.
- 5" deep body.
- Black housing exterior for cooler ballast operating temperature.
- Eyeleted heat removal vents in fixture ends.
- Hemmed over side rails for maximum safety.
- Fixture ends turned-in for safe handling.
- Built-in earthquake clips (patent no. 5,072,344).
- Door jamb finished black on four sides for positive light stop.
- True mitered corner aluminum lens frame.
- Spring loaded rooster head latches.
- 18 gauge steel hinges.
- Construction to meet NYC Code Requirements or Chicago Plenum is available.



Mounting Methods



Dimensions



Job Information

Type:

Job Name:

Cat. No.:

Lamp(s):

Volts/Ballast:

For Factory Technical Information: (978) 657-7600 • Fax (978) 658-0595
631 Airport Road, Fall River, MA 02720 • (508) 679-8131 • Fax (508) 674-4710
We reserve the right to change details of design, materials and finish.
www.lightolier.com © 2009 a Philips Group

01/09

Section 5/Folio MA12-14

2' x 2' Recessed Fluorescent, Tri-Lens Frame Static or Air Supply/Return, 2 or 3 Lamp T8

Model No. SKS2GPK217UNVHI

LER = FP - 58.1 IW - 31.7 BF - 0.93
Comparative yearly lighting energy cost per 1000 lumens = \$4.13

Report Number: G2008293
Catalog Number: SKS2GPK217UNVHI
Lamps: (2) F17T8/TL835/PLUS/ALTO
Luminaire: Skyway Recessed 2' x 2' fixture prismatic acrylic lens assembly.
Ballast: ICN-2P32-SC
Report is based on 1400 Lumens per lamp.
Efficiency: 70.7%
CIE Type-Direct-Indirect
Plane: 0-Deg 90-Deg
Spacing Criteria: 1.2 1.3
Shielding Angles: 90 90
Plane: 0-Deg 90-Deg
Luminous Length: 21.600 21.600

CANDELA DISTRIBUTION

	0.0	45.0	90.0	FLUX
0	845	845	845	
5	839	838	839	80
15	796	797	801	225
25	714	727	752	337
35	602	648	695	405
45	459	477	474	367
55	297	308	287	270
65	171	175	162	175
75	89	86	79	94
85	21	24	17	26
90	7	7	3	

ZONAL LUMEN SUMMARY

ZONE	LUMENS	% LAMP	% FIXT
0- 30	642	22.9	32.4
0- 40	1047	37.4	52.9
0- 60	1684	60.1	85.1
0- 90	1979	70.7	100.0
90-180	0	0.0	0.0
0-180	1979	70.7	100.0

LUMINANCE DATA IN CANDELA/SQ. METER

AVERAGE IN DEG.	AVERAGE 0-DEG.	AVERAGE 45-DEG.	AVERAGE 90-DEG.
45	2156.	2240.	2226.
55	1720.	1783.	1662.
65	1344.	1375.	1273.
75	1142.	1103.	1014.
85	800.	914.	648.

COEFFICIENTS OF UTILIZATION – ZONAL CAVITY METHOD. EFFECTIVE FLOOR CAVITY REFLECTANCE 0.20

RC	80	50	30
RW 70	50	30	10
1	78	75	72
2	71	66	61
3	65	59	53
4	60	52	47
5	56	47	41
6	52	43	37
7	48	39	33
8	45	36	30
9	42	33	27
10	39	30	25

Model No. SKS2GPK317UNVH3

LER = FP - 46.8 IW - 46.6 BF - 0.93
Comparative yearly lighting energy cost per 1000 lumens = \$5.13

Report Number: G2008296
Catalog Number: SKS2GPK317UNVH3
Lamps: (3) F21T8.TL835/PLUS/ALTO
Luminaire: Skyway Recessed 2' x 2' fixture prismatic acrylic lens assembly.
Ballast: ICN-3P32-SC
Report is based on 1400 Lumens per lamp.
Efficiency: 72.9%
CIE Type-Direct-Indirect
Plane: 0-Deg 90-Deg
Spacing Criteria: 1.2 1.1
Shielding Angles: 90 90
Plane: 0-Deg 90-Deg
Luminous Length: 21.600 21.600

CANDELA DISTRIBUTION

	0.0	45.0	90.0	FLUX
0	1391	1391	1391	
5	1384	1378	1381	131
15	1312	1309	1315	370
25	1175	1172	1166	539
35	984	952	956	602
45	720	714	732	553
55	447	475	435	412
65	260	274	249	269
75	140	131	125	145
85	33	35	28	39
90	12	13	5	

COEFFICIENTS OF UTILIZATION – ZONAL CAVITY METHOD. EFFECTIVE FLOOR CAVITY REFLECTANCE 0.20

RC	80	50	30
RW 70	50	30	10
1	80	77	74
2	74	68	64
3	68	61	55
4	62	54	48
5	58	49	43
6	53	44	38
7	50	40	34
8	46	37	31
9	44	34	29
10	41	32	26

ZONAL LUMEN SUMMARY

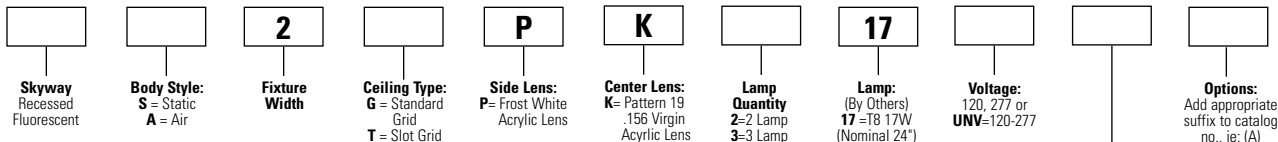
ZONE	LUMENS	% LAMP	% FIXT
0- 30	1040	24.8	34.0
0- 40	1642	39.1	53.7
0- 60	2607	62.1	85.2
0- 90	3060	72.9	100.0
90-180	0	0.0	0.0
0-180	3060	72.9	100.0

LUMINANCE DATA IN CANDELA/SQ. METER

AVERAGE IN DEG.	AVERAGE 0-DEG.	AVERAGE 45-DEG.	AVERAGE 90-DEG.
45	3382.	3353.	3438.
55	2588.	2750.	2519.
65	2043.	2153.	1957.
75	1796.	1681.	1604.
85	1257.	1334.	1067.

Ordering Information

Explanation of Catalog Number. Example: SKS2GPK217UNVHI



SK	Standard Skyway
SY	For NYC Code – I.B.E.W. Manufactured
NK	For NYC Code – Local 3 Manufactured

Ballast Type:

	<20THD	<10THD	Ballast Factor
1 or 2 Lamp Elec. T8	S0*	H1*	0.88
1-3 Lamp Elec. T8	O3*	H3*	0.88
Advance Optanium			
1 or 2 Lamp Elec. T8	–	C5*	0.80
1 - 3 Lamp Elec. T8	–	C6*	0.81
LOL Dimming T8	PS	–	

*Instant Start Standard
Other dimming options. Consult factory.

NOTE:
For T8 UNV, you must use H1 OR H3 Ballast Code.

Options/Accessories

Fusing: Internal fast blow fusing: SUFFIX: **A**.
Internal slow blow fusing: SUFFIX: **C**.

Drywall Kit: Order Catalog Number: **FK92X2**.

Electrical Wiring Options: Consult factory.

For motion or light sensor: See Folio OA20-10 and OA20-30.

Specifications

Performance: In an installation of 2 lamp 17W luminaires in a room cavity ratio of 1, with reflectance 80% ceiling, 50% wall, 20% floor, the C.U. shall not be less than .75. To reduce glare the average brightness at 65° shall not exceed 1375 candelas per square meter. To control veiling reflections, luminaire output in the 30°-90° zone shall not be less than 67.6%.

Air Handling: (SKA only) side air passages for air supply or air return. Supply air is discharged vertically. Optional side closure strips. Air return is also provided through the lamp compartment through fixture body ends.

Materials: Chassis parts are die-formed code gauge cold rolled steel. Housing has side rails hemmed over and housing ends turned-in for safe handling.

Finish: Chassis exterior—black baked polyester enamel. **Cavity**—white baked polyester enamel minimum 86% reflectance. Rust preventative undercoating.

Reflectors- 95% reflective white powder coated.

Specifications (continued)

Lens: Proprietary high quality frost white acrylic and clear conical prism lens assembly.

Electrical: Thermally protected class "P" ballast C.B.M. approved, non PCB. If K.O. is within 3" of ballast, use wire suitable for at least 90°.

UL Listed for damp locations.

Labels: I.B.E.W./UL and ULc Listed.

This product may have a mercury containing lamp. Manage in accord with Disposal Laws.

See: www.lamprecycle.org

Job Information

Type:

For Factory Technical Information: (978) 657-7600 • Fax (978) 658-0595
631 Airport Road, Fall River, MA 02720 • (508) 679-8131 • Fax (508) 674-4710
We reserve the right to change details of design, materials and finish.
www.lightolier.com © 2009 a Philips Group

Section 5/Folio MA12-14