

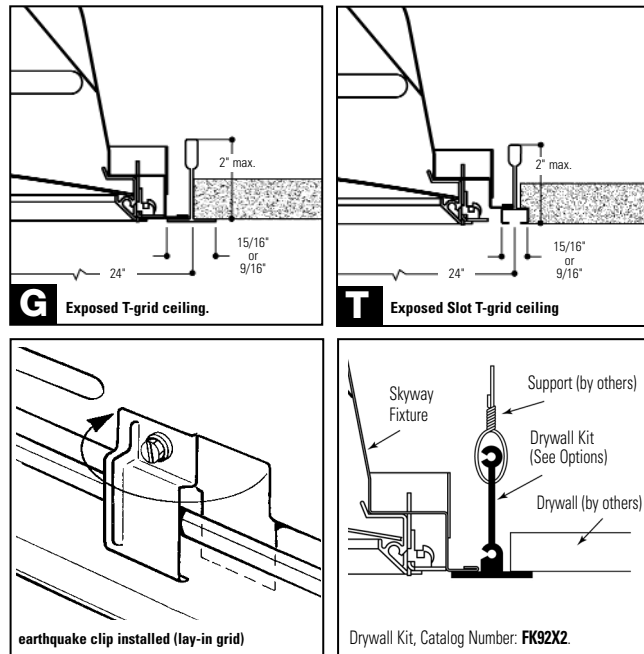
2' x 2' Recessed Fluorescent, Tri-Lens Frame
Static or Air Supply/Return, 2 Lamp T5 or T5HO

Features

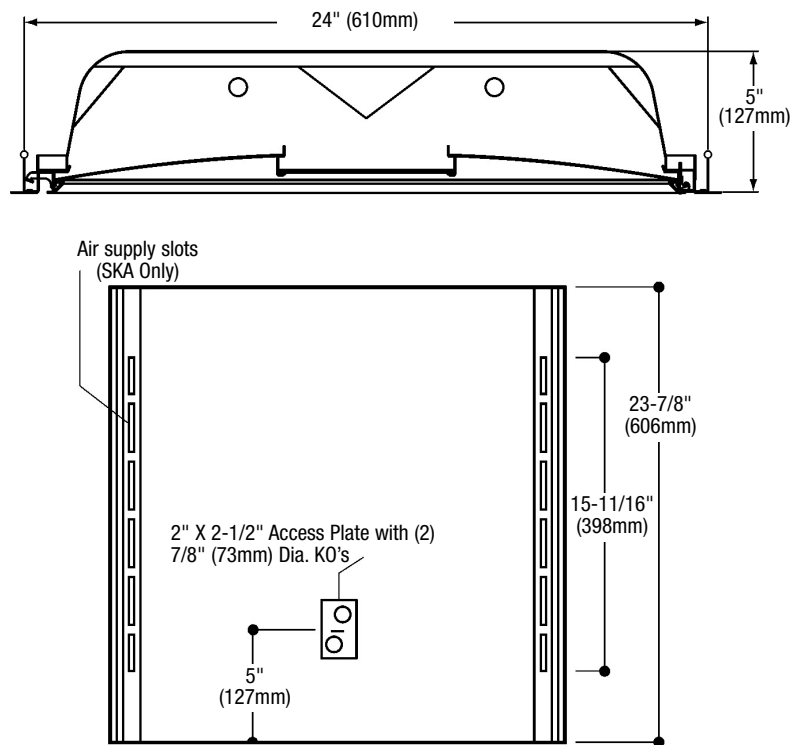
- Aesthetically pleasing triple lens design.
- Curved high light transmission frost white acrylic side lenses.
- Clear acrylic conical prismatic center lens.
- Internal reflector coated with 95% reflective white paint.
- 72.8% efficient 2 Lamp 14 watt T5.
- 74.6% efficient 2 Lamp 24 watt T5HO.
- 5" deep body.
- Black housing exterior for cooler ballast operating temperature.
- Eyeleted heat removal vents in fixture ends.
- Hemmed over side rails for maximum safety.
- Fixture ends turned-in for safe handling.
- Built-in earthquake clips (patent no. 5,072,344).
- Door jamb finished black on four sides for positive light stop.
- True mitered corner aluminum lens frame.
- Spring loaded rooster head latches.
- 18 gauge steel hinges.
- Construction to meet NYC Code Requirements or Chicago Plenum is available.



Mounting Methods



Dimensions



Job Information

Type:

Job Name:

Cat. No.:

Lamp(s):

Volts/Ballast:

For Factory Technical Information: (978) 657-7600 • Fax (978) 658-0595
631 Airport Road, Fall River, MA 02720 • (508) 679-8131 • Fax (508) 674-4710
We reserve the right to change details of design, materials and finish.
www.lightolier.com © 2009 a Philips Group

01/09

Section 5/Folio MA12-12

2' x 2' Recessed Fluorescent, Tri-Lens Frame Static or Air Supply/Return, 2 Lamp T5 or T5HO

Model No. SKS2GPK214UNVPG

LER = FP - 56.4 IW - 32.5 BF - 1.05
Comparative yearly lighting energy cost per 1000 lumens = \$4.25

Report Number: G2008325
Catalog Number: SKS2GPK214UNVPG
Lamps: (2) F14T5/835/ALTO
Luminaire: Skyway Recessed 2' x 2' fixture prismatic acrylic lens assembly.
Ballast: ICN-2S28-SC
Report is based on 1200 Lumens per lamp.
Efficiency: 72.8%
CIE Type-Direct-Indirect
Plane: 0-Deg 90-Deg
Spacing Criteria: 1.2 1.3
Shielding Angles: 90 90
Plane: 0-Deg 90-Deg
Luminous Length: 21.600 21.600

CANDELA DISTRIBUTION

	0.0	45.0	90.0	FLUX
0	748	748	748	
5	743	742	742	71
15	704	705	705	199
25	633	643	669	299
35	533	578	612	358
45	405	420	414	323
55	263	269	251	237
65	151	153	142	154
75	79	76	68	82
85	19	18	15	23
90	5	6	2	

COEFFICIENTS OF UTILIZATION – ZONAL CAVITY METHOD. EFFECTIVE FLOOR CAVITY REFLECTANCE 0.20

RC	80	50	30	
RW	70	50	30	10
1	80	77	74	72
2	73	68	63	64
3	67	60	55	57
4	62	54	48	51
5	57	49	42	46
6	53	44	38	42
7	49	40	34	38
8	46	37	31	35
9	43	34	28	32
10	41	31	26	30

ZONAL LUMEN SUMMARY

ZONE	LUMENS	% LAMP	% FIXT
0-30	568	23.7	32.6
0-40	927	38.6	53.1
0-60	1487	62.0	85.2
0-90	1746	72.8	100.0
90-180	0	0.0	0.0
0-180	1746	72.8	100.0

LUMINANCE DATA IN CANDELA/SQ. METER

AVERAGE IN DEG.	AVERAGE 0-DEG.	AVERAGE 45-DEG.	AVERAGE 90-DEG.
45	1902.	1973.	1944.
55	1523.	1558.	1453.
65	1187.	1202.	1116.
75	1014.	975.	873.
85	724.	686.	572.

Model No. SKS2GPK224UNVPG

LER = FP - 52.4 IW - 51.3 BF - 1.0
Comparative yearly lighting energy cost per 1000 lumens = \$4.58

Report Number: G2008179
Catalog Number: SKS2GPK224UNVPG
Lamps: (2) F24T5HO
Luminaire: Skyway Recessed 2' x 2' fixture prismatic acrylic lens assembly.
Ballast: ICN-2S24
Report is based on 1800 Lumens per lamp.
Efficiency: 74.6%
CIE Type-Direct-Indirect
Plane: 0-Deg 90-Deg
Spacing Criteria: 1.2 1.3
Shielding Angles: 90 90
Plane: 0-Deg 90-Deg
Luminous Length: 21.600 21.600

CANDELA DISTRIBUTION

	0.0	45.0	90.0	FLUX
0	1153	1153	1153	
5	1145	1145	1146	109
15	1087	1094	1101	309
25	977	1007	1055	467
35	822	901	954	557
45	625	648	639	497
55	399	412	384	362
65	224	231	215	231
75	113	113	103	122
85	26	24	21	21
90	0	0	0	

COEFFICIENTS OF UTILIZATION – ZONAL CAVITY METHOD. EFFECTIVE FLOOR CAVITY REFLECTANCE 0.20

RC	80	50	30	
RW	70	50	30	10
1	82	79	76	74
2	75	70	65	66
3	69	62	56	59
4	64	55	49	53
5	59	50	44	48
6	55	45	39	43
7	51	41	35	40
8	47	38	32	36
9	44	35	29	34
10	42	32	27	31

ZONAL LUMEN SUMMARY






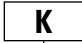
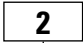

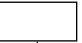
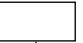

ZONE	LUMENS	% LAMP	% FIXT
0-30	885	24.6	32.9
0-40	1442	40.0	53.7
0-60	2301	63.9	85.7
0-90	2685	74.6	100.0
90-180	0	0.0	0.0
0-180	2685	74.6	100.0

LUMINANCE DATA IN CANDELA/SQ. METER

AVERAGE IN DEG.	AVERAGE 0-DEG.	AVERAGE 45-DEG.	AVERAGE 90-DEG.
45	2335.	3043.	3001.
55	2310.	2385.	2223.
65	1760.	1815.	1689.
75	1450.	1450.	1322.
85	991.	914.	800.

Ordering Information

Explanation of Catalog Number. Example: SKS2GPK214UNVPG

										
SK Standard Skyway	SY For NYC Code – I.B.E.W. Manufactured	NK For NYC Code – Local 3 Manufactured								

Options/Accessories

Fusing: Internal fast blow fusing: SUFFIX: **A**.
Internal slow blow fusing: SUFFIX: **C**.
Drywall Kit: Order Catalog Number: **FK92X2**.
Electrical Wiring Options: Consult factory.
For motion or light sensor: See Folio OA20-10 and OA20-30.

Specifications

Performance: In an installation of 2 lamp 14W luminaires in a room cavity ratio of 1, with reflectance 80% ceiling, 50% wall, 20% floor, the C.U. shall not be less than .77. To reduce glare the average brightness at 65° shall not exceed 1202 candelas per square meter. To control veiling reflections, luminaire output in the 30°-90° zone shall not be less than 67.4%.
Air Handling: (SKA only) side air passages for air supply or air return. Supply air is discharged vertically. Optional side closure strips. Air return is also provided through the lamp compartment through fixture body ends.
Materials: Chassis parts are die-formed code gauge cold rolled steel. Housing has side rails hemmed over and housing ends turned-in for safe handling.
Finish: Chassis exterior—black baked polyester enamel. **Cavity**—white baked polyester enamel minimum 86% reflectance. Rust preventative undercoating.
Reflectors- 95% reflective white powder coated.

Specifications (continued)

Lens: Proprietary high quality frost white acrylic and clear conical prism lens assembly.
Electrical: Thermally protected class "P" ballast C.B.M. approved, non PCB. If K.O. is within 3" of ballast, use wire suitable for at least 90°.
UL Listed for damp locations.
Labels: I.B.E.W./UL and ULc Listed.
This product may have a mercury containing lamp. Manage in accord with Disposal Laws.
See: www.lamprecycle.org

Job Information

Type:

For Factory Technical Information: (978) 657-7600 • Fax (978) 658-0595
631 Airport Road, Fall River, MA 02720 • (508) 679-8131 • Fax (508) 674-4710
We reserve the right to change details of design, materials and finish.
www.lightolier.com © 2009 a Philips Group

Section 5/Folio MA12-12