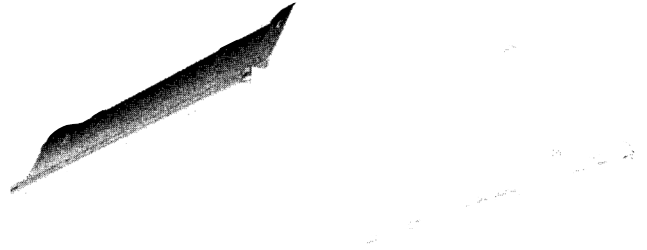


SILVERESCENT EXS2GFSVA2U4BX

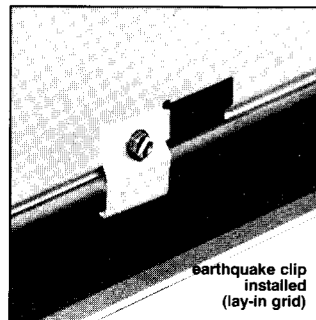
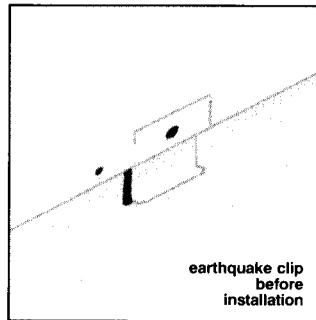
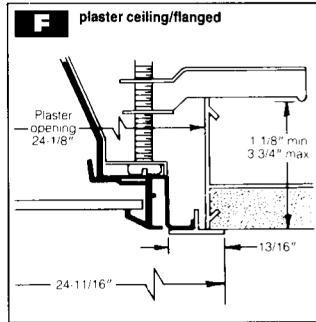
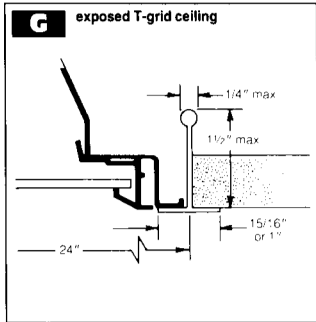
Features

- 95% reflective silver laminate specular reflector protected with strippable film.
- 78.9% efficient.
- Built-in earthquake clips (patent pending).
- One-piece housing is embossed, I-beam construction for added strength.
- End cap has single form configuration and formed edges for easy lamping and safety.
- Turned-up edges for safe handling.
- Lens frame overlaps end cap for positive light stop.
- Reversible slim-line lens frames with 1000 square inch lens area.
- Mitered appearance lens frames.
- Cam-action latches.
- Snap-in wireway cover.
- UL-Listed twin knockout access plate.
- Metal gauge/construction to meet NYC Code requirements is available.

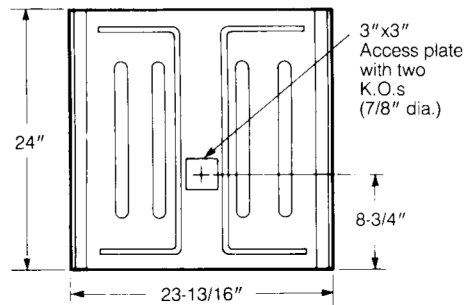
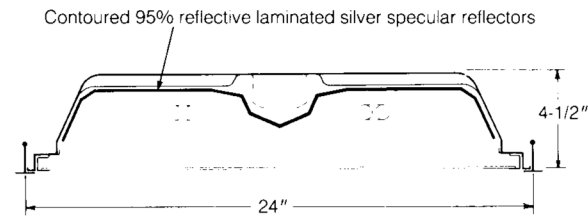


MOUNTING METHODS

Note: Mounting Methods details shown with full-size regressed aluminum (RA) frame.



DIMENSIONS



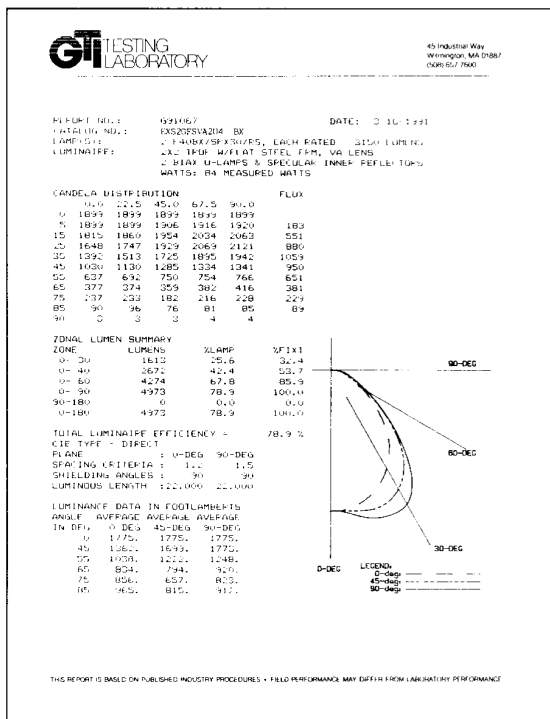
Job Information	Type:
Job Name:	
Cat. No.:	
Lamp(s):	
Volts/Ballast:	

Lightolier a Genlyte Thomas Company www.lightolier.com
 Technical Information: (978) 657-7600 • Fax (978) 658-0595
 631 Airport Road, Fall River, MA 02720 • (508) 679-8131 • Fax (508) 674-4710
 We reserve the right to change details of design, materials and finish.
 © 2002 Genlyte Thomas Group LLC (Lightolier Division)
 A0902 **Section 1A/Folio F60-10**

LIGHTOLIER®

SILVERESCENT EXS2GFSVA2U4BX

PHOTOMETRY



MODEL NO. EXS2GFSVA2U4BX

coefficients of utilization — zonal cavity method

RF	20			20			20		
	RC	80	50	50	30	10	50	30	10
1	87	84	81	79	77	75	76	74	72
2	81	75	70	71	67	64	68	65	63
3	75	67	62	64	59	56	62	58	55
4	69	60	54	58	53	49	56	52	48
5	63	54	48	52	46	42	50	46	42
6	59	49	42	47	41	37	46	41	37
7	54	44	38	42	37	33	41	36	33
8	50	40	33	38	33	29	37	32	28
9	46	36	29	34	29	25	33	28	25
10	43	32	26	31	26	22	31	25	22

visual comfort probability (VCP) average 100 fc; reflectances 80/50/20

room size		ceiling height				ceiling height			
W	L	8.5	10.0	13.0	16.0	8.5	10.0	13.0	16.0
20	20	56	62	70	76	56	60	66	72
20	30	48	53	60	67	49	52	57	62
20	40	43	47	53	59	45	47	52	56
20	60	39	43	47	52	41	44	47	51
30	20	58	63	69	74	57	62	66	71
30	30	48	53	58	64	49	53	57	61
30	40	43	47	51	56	45	48	51	54
30	60	39	42	45	50	41	44	46	49
30	80	37	40	41	46	39	41	43	46
40	20	59	64	70	74	59	63	68	71
40	30	50	54	59	64	51	54	58	62
40	40	44	48	52	56	46	49	52	54
40	60	39	42	45	49	41	44	46	49
40	80	37	40	41	45	39	42	42	45
40	100	37	38	39	42	39	40	41	43
60	30	51	56	60	64	51	55	59	62
60	40	45	48	52	56	46	49	52	55
60	60	40	43	45	49	42	44	46	49
60	80	37	39	40	44	40	42	42	45
60	100	37	38	38	41	39	40	40	42
100	40	48	51	54	58	49	52	54	57
100	60	43	45	47	51	45	46	47	51
100	80	40	42	42	45	42	43	44	46
100	100	39	39	39	42	41	41	41	43

ORDERING INFORMATION Explanation of Catalog Number Example: EXS2GFSVA2U4120LEGLR

EX	S	2			VA	2	U4			
SILVERESCENT: Recessed fluorescent troffer Silver Laminate Reflector	STATIC	FIXTURE WIDTH		LENS FRAME: FS = Flush full-size steel frame RA = Regressed full-size aluminum frame	LENS/ SHIELDING TYPE: VA (virgin acrylic) standard (see options and consult factory)	LAMP QUANTITY	LAMP/FIXTURE LENGTH: (nominal 24")	VOLTAGE: 120 or 277		OPTIONS: Add appropriate suffix to catalog no., ie: (GLR)

NOTE To meet NYC Code requirements, prefix catalog number with (NY). For NYC, some construction features do not apply

OPTIONS/ACCESSORIES

SPECIAL LENSES: Substitute VB for .125" nominal pattern 12 with 7.8 oz average weight per square foot. Substitute VI for .125" nominal pattern 12 with 6.8 oz average weight per square foot.

ACCESS PLATES: Top wiring access plate is shipped with fixture as standard. When access plates are required in advance for wiring convenience, specify separately. Order Catalog Number **ACP2**.

CONTINUOUS ROW INSTALLATION: For F type fixtures, half-width flanges are required between fixtures. Order Catalog Number **2FC** trim (each joint).

PLASTER FRAMES: F type fixtures do not include plaster frames. For individual or continuous mounting, specify **PF24** universal frame per fixture.

ELECTRICAL WIRING OPTIONS: Consult factory.

FUSING: Internal fast-blow fusing SUFFIX: **GLR**

Internal slow-blow fusing SUFFIX: **GMF**

RADIO INTERFERENCE FILTER: 120 or 277volt, 50 or 60 Hz One per fixture standard SUFFIX: **RF**.

SPECIFICATIONS

PERFORMANCE: In an installation of 2 lamp 40W luminaires in a room cavity ratio of 1, with reflectance 80% ceiling, 50% wall, 20% floor, the C.U. shall not be less than .84. To reduce glare, the VCP shall not be less than 40 either lengthwise or crosswise (at 100fc level) and the average brightness at 65° shall not exceed 920 footlambers. To control veiling reflections, luminaire output in the 30°-90° zone shall be not less than 67.5%.

SPECIFICATIONS (CONTINUED)

MATERIALS: Chassis parts are die-formed code gauge cold rolled steel. Housing is embossed for rigidity with all edges turned-up for safe handling. Lens frames — (FS) flush full-size steel frame, (RA) splay regressed full-size aluminum frame

FINISH: Chassis white baked acrylic enamel. Phosphate undercoating.

REFLECTOR: Silver metalized film with 95% reflectivity (94% minimum), laminated to steel by a thermoset cross linked adhesive that eliminates delamination. Surface is protected during handling by a strippable plastic film

LENS: Extruded virgin acrylic, 3/16" square based female cones, running 45° to the panel edge, .095" nominal thickness (similar to pattern 12)

ELECTRICAL: Rapid start HPF, BX (Biax Type) thermally protected class "P" ballast C.B.M. certified by E.T.L If K.O. is within 3" of ballast, use wire suitable for at least 90°.

LABELS: I.B.E.W. Listed by Underwriters Laboratories.

Job Information Type:

Lightolier a Genlyte Thomas Company www.lightolier.com
Technical Information: (978) 657-7600 • Fax (978) 658-0595
631 Airport Road, Fall River, MA 02720 • (508) 679-8131 • Fax (508) 674-4710
We reserve the right to change details of design, materials and finish.
© 2002 Genlyte Thomas Group LLC (Lightolier Division)
A0902 **Section 1A/Folio F60-10**

LIGHTOLIER