

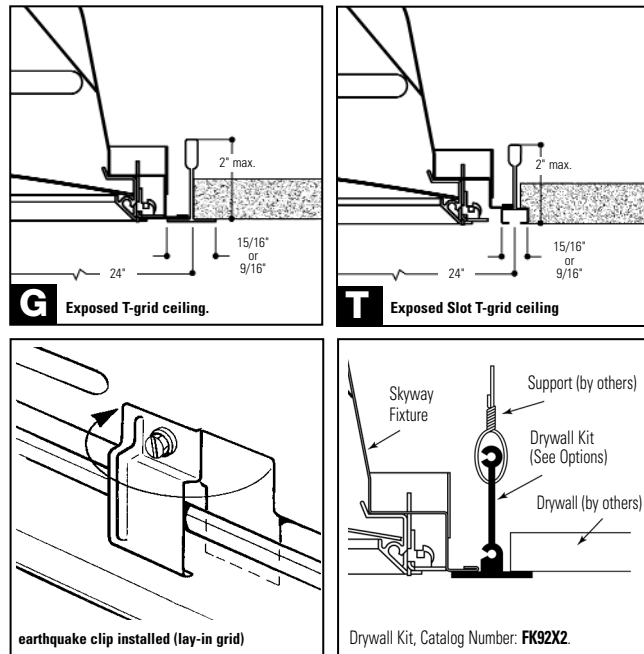
2' x 2' Recessed Fluorescent, Tri-Lens Frame Static or Air Supply/Return, 2 Lamp Twin Tube T5

Features

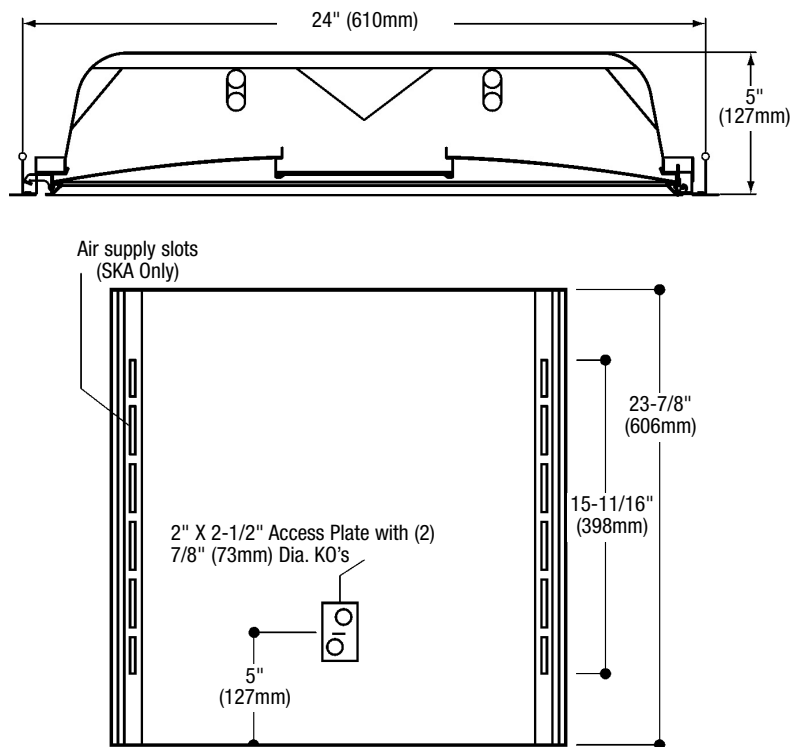
- Aesthetically pleasing triple lens design.
- Curved high light transmission frost white acrylic side lenses.
- Clear acrylic conical prismatic center lens.
- Internal reflector coated with 95% reflective white paint.
- 89.9% efficient (2 Lamp 25 watt TT5)
- 76.5% efficient (2 Lamp 40 watt TT5)
- 5" deep body.
- Black housing exterior for cooler ballast operating temperature.
- Eyeleted heat removal vents in fixture ends.
- Hemmed over side rails for maximum safety.
- Fixture ends turned-in for safe handling.
- Built-in earthquake clips (patent no. 5,072,344).
- Door jamb finished black on four sides for positive light stop.
- True mitered corner aluminum lens frame.
- Spring loaded rooster head latches.
- 18 gauge steel hinges.
- Construction to meet NYC Code Requirements or Chicago Plenum is available.



Mounting Methods



Dimensions



Job Information

Type:

Job Name:

Cat. No.:

Lamp(s):

Volts/Ballast:

For Factory Technical Information: (978) 657-7600 • Fax (978) 658-0595
631 Airport Road, Fall River, MA 02720 • (508) 679-8131 • Fax (508) 674-4710

We reserve the right to change details of design, materials and finish.

www.lightolier.com © 2009 a Philips Group

Section 5/Folio MA12-10

01/09

2' x 2' Recessed Fluorescent, Tri-Lens Frame Static or Air Supply/Return, 2 Lamp Twin Tube T5

Model No. SKS2GPK2FTUNVIB (25 watt lamp)

LER = FP - 64.0 IW - 59.4 BF - 0.92
Comparative yearly lighting energy cost per 1000 lumens = \$3.75

Report Number: G2008207
Catalog Number: SKS2GPK2FTUNVIB
Lamps: (2) PL-L40/835/XEW/4P/RS/IS 25W
Luminaire: Skyway Recessed 2' x 2' fixture prismatic acrylic lens assembly.
Ballast: ICN-2TTP40-SC
Report is based on 2300 Lumens per lamp.
Efficiency: 89.9%
CIE Type-Direct-Indirect
Plane: 0-Deg 90-Deg
Spacing Criteria: 1.2 1.4
Shielding Angles: 90 90
Plane: 0-Deg 90-Deg
Luminous Length: 21.600 21.600

CANDELA DISTRIBUTION

	0.0	45.0	90.0	FLUX
0	1721	1721	1721	
5	1704	1705	1709	162
15	1613	1631	1658	462
25	1449	1520	1614	704
35	1229	1390	1548	863
45	921	1012	1025	773
55	595	653	623	569
65	337	367	348	364
75	171	176	161	188
85	32	45	25	46
90	0	0	0	

ZONAL LUMEN SUMMARY

ZONE	LUMENS	% LAMP	% FIXT
0- 30	1328	28.9	32.1
0- 40	2191	47.6	53.0
0- 60	3537	76.9	85.5
0- 90	4134	89.9	100.0
90-180	0	0.0	0.0
0-180	4134	89.9	100.0

LUMINANCE DATA IN CANDELA/SQ. METER

AVERAGE IN DEG.	AVERAGE 0-DEG.	AVERAGE 45-DEG.	AVERAGE 90-DEG.
45	4326.	4753.	4814.
55	3445.	3781.	3607.
65	2648.	2884.	2735.
75	2194.	2258.	2066.
85	1219.	1715.	953.

COEFFICIENTS OF UTILIZATION - ZONAL CAVITY METHOD. EFFECTIVE FLOOR CAVITY REFLECTANCE 0.20

RC	80	50	30
1	99	95	91
2	91	84	78
3	83	75	68
4	77	67	59
5	71	60	52
6	66	54	47
7	61	49	42
8	57	45	38
9	53	42	35
10	50	38	32

Model No. SKS2GPK2FTUNVIB (40 watt lamp)

LER = FP - 64.3 IW - 69.1 BF - 0.88
Comparative yearly lighting energy cost per 1000 lumens = \$3.73

Report Number: G2008206
Catalog Number: SKS2GPK2FTUNVIB
Lamps: (2) PL-L40/835/RS/IS
Luminaire: Skyway Recessed 2' x 2' fixture prismatic acrylic lens assembly.
Ballast: ICN-2TTP40-SC
Report is based on 3300 Lumens per lamp.
Efficiency: 76.5%
CIE Type-Direct-Indirect
Plane: 0-Deg 90-Deg
Spacing Criteria: 1.2 1.4
Shielding Angles: 90 90
Plane: 0-Deg 90-Deg
Luminous Length: 21.600 21.600

CANDELA DISTRIBUTION

	0.0	45.0	90.0	FLUX
0	2055	2055	2055	
5	2040	2040	2043	194
15	1937	1957	1986	554
25	1747	1826	1932	846
35	1482	1672	1859	1041
45	1131	1248	1276	956
55	736	808	772	703
65	420	459	435	454
75	218	222	207	240
85	48	66	40	65
90	0	0	0	

COEFFICIENTS OF UTILIZATION - ZONAL CAVITY METHOD. EFFECTIVE FLOOR CAVITY REFLECTANCE 0.20

RC	80	50	30
1	84	81	78
2	77	71	66
3	71	63	57
4	65	56	50
5	60	51	44
6	56	46	39
7	52	42	35
8	48	38	32
9	45	35	29
10	42	33	27

ZONAL LUMEN SUMMARY

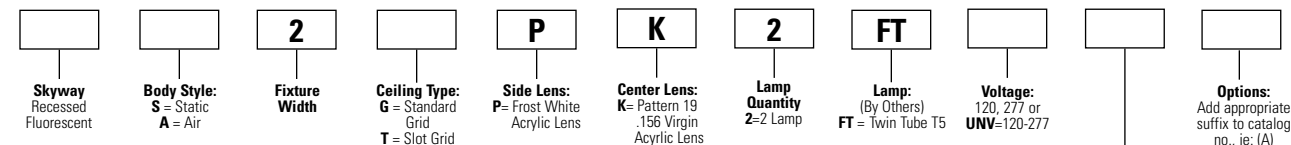
ZONE	LUMENS	% LAMP	% FIXT
0- 30	1593	24.1	31.5
0- 40	2635	39.9	52.2
0- 60	4294	65.1	85.0
0- 90	5052	76.5	100.0
90-180	0	0.0	0.0
0-180	5052	76.5	100.0

LUMINANCE DATA IN CANDELA/SQ. METER

AVERAGE IN DEG.	AVERAGE 0-DEG.	AVERAGE 45-DEG.	AVERAGE 90-DEG.
45	5312.	5861.	5933.
55	4261.	4678.	4470.
65	3300.	3607.	3418.
75	2797.	2849.	2656.
85	1829.	2515.	1524.

Ordering Information

Explanation of Catalog Number. Example: SKS2GPK2FTUNVIB



SK	Standard Skyway
SY	For NYC Code - I.B.E.W. Manufactured
NK	For NYC Code - Local 3 Manufactured

Options/Accessories

Fusing: Internal fast blow fusing: SUFFIX: **A**.
Internal slow blow fusing: SUFFIX: **C**.

Drywall Kit: Order Catalog Number: **FK92X2**.

Electrical Wiring Options: Consult factory.

For motion or light sensor: See Folio OA20-10 and OA20-30.

Specifications

Performance: In an installation of 2 lamp 25W luminaires in a room cavity ratio of 1, with reflectance 80% ceiling, 50% wall, 20% floor, the C.U. shall not be less than .95. To reduce glare the average brightness at 65° shall not exceed 2648 candelas per square meter. To control veiling reflections, luminaire output in the 30°-90° zone shall not be less than 67.9%.

Air Handling: (SKA only) side air passages for air supply or air return. Supply air is discharged vertically. Optional side closure strips. Air return is also provided through the lamp compartment through fixture body ends.

Materials: Chassis parts are die-formed code gauge cold rolled steel. Housing has side rails hemmed over and housing ends turned-in for safe handling.

Finish: Chassis exterior-black baked polyester enamel. **Cavity**-white baked polyester enamel minimum 86% reflectance. Rust preventative undercoating.

Reflectors- 95% reflective white powder coated.

Ballast Type:	<20THD	<10THD
2 Lamp Elec. TT5 (25 or 40 Watt)	SB*	IB*
2 Lamp Elec. TT5 (40 Watt)	-	PR†
2 Lamp Elec. TT5 (50 Watt)	BE	-
2 Lamp Elec. TT5 (55 Watt)	-	BF
LOL Dimming TT5	PB	-

*Instant Start Standard.
Other dimming options. Consult factory.
NOTE:
For TT5 40W UNV, you must use PR Ballast Code.
†Program Rapid Start

Specifications (continued)

Lens: Proprietary high quality frost white acrylic and clear conical prism lens assembly.

Electrical: Thermally protected class "P" ballast C.B.M. approved, non PCB. If K.O. is within 3" of ballast, use wire suitable for at least 90°.

UL Listed for damp locations.

Labels: I.B.E.W./UL and ULc Listed.

This product may have a mercury containing lamp. Manage in accord with Disposal Laws.

See: www.lamprecycle.org

Job Information

Type:

For Factory Technical Information: (978) 657-7600 • Fax (978) 658-0595
631 Airport Road, Fall River, MA 02720 • (508) 679-8131 • Fax (508) 674-4710
We reserve the right to change details of design, materials and finish.
www.lightolier.com © 2009 a Philips Group

Section 5/Folio MA12-10