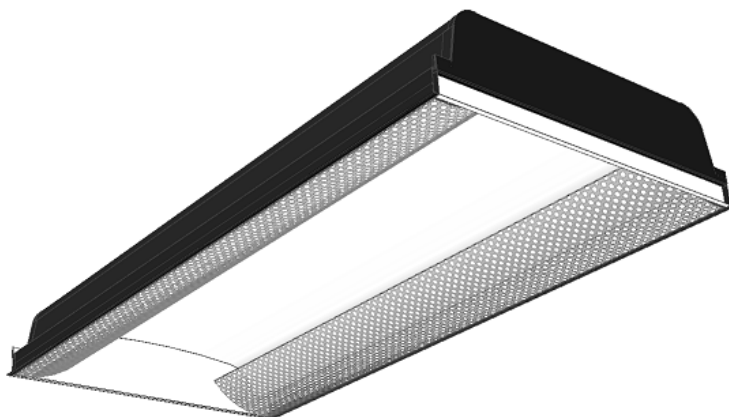
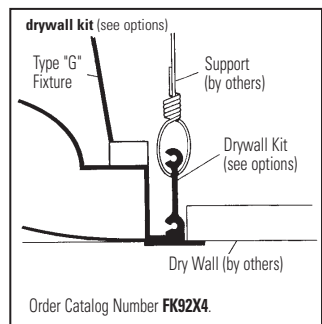
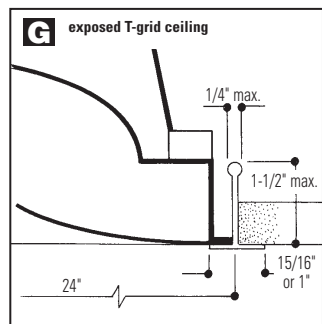


Sidelyte Recessed Fluorescent **SIS2GPF228 or 254**

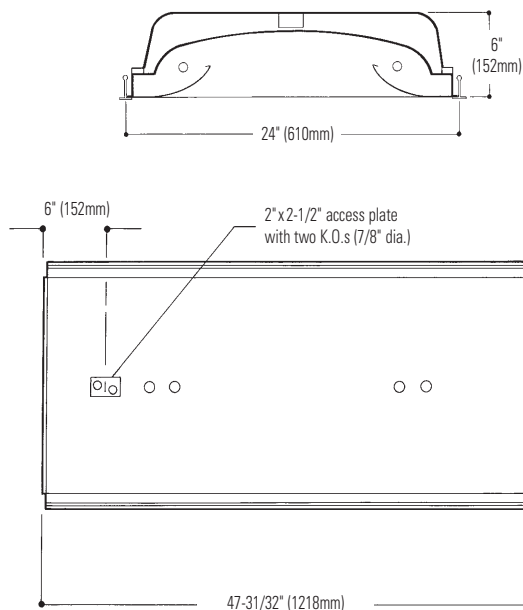
- Direct/indirect side basket appearance.
- Perforated mesh lamp shields with white acrylic overlays.
- 59.6% efficient (2 lamp 28W T5).
- 61.6% efficient (2 lamp 54W T5).
- Spacing to mounting ratio 1.3.
- Only 6" deep body.
- One-piece housing.
- Ballast accessible from room side.
- Perforated lamp shields hinge for easy relamping.
- 4 earthquake clips standard.
- UL Listed twin knockout access plate.
- Not suitable for continuous mounting.



Mounting Methods



Dimensions



Job Information

Type:

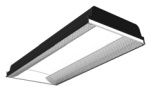
Job Name:

Cat. No.:

Lamp(s):

Volts/Ballast:

Lightolier a Genlyte company www.lightolier.com
 Technical Information: (978) 657-7600 • Fax (978) 658-0595
 631 Airport Road, Fall River, MA 02720 • (508) 679-8131 • Fax (508) 674-4710
 We reserve the right to change details of design, materials and finish.
 © 2006 a Genlyte company **Section 5/Folio M17-15**



Sidelyte Recessed Fluorescent **SIS2GPF228 or 254**

Page 2 of 2

Direct/indirect 2' x 4' with Perforated Baskets
Static, 2 Lamp T5

Model No. SIS2GPF228120PI

LER = FP - 55.0 IW - 55.7 BF - 0.93
Comparative yearly lighting energy cost per
1000 lumens = \$4.36

Report Number: G2005287
Catalog Number: SIS2GPF228120PI
Lamps: FP28/835
Luminaire: SIS 2'x4' with 2 perforated side
baskets.
Ballast: Ultrasave
Report is based on 2750 Lumens per lamp.
Efficiency: 59.6%
CIE Type-Direct-Indirect
Plane: 0-Deg 90-Deg
Spacing Criteria: 1.2 1.3
Shielding Angles: 90 90
Plane: 0-Deg 90-Deg
Luminous Length: 46.920 22.920

CANDELA DISTRIBUTION

	0.0	45.0	90.0	FLUX
0	1060	1060	1060	
5	1056	1052	1054	
15	1002	1008	1019	285
25	906	928	953	428
35	779	822	869	515
45	622	702	779	541
55	446	583	698	517
65	268	484	634	465
75	141	379	488	358
85	34	44	49	69
90	0	0	0	

COEFFICIENTS OF UTILIZATION - ZONAL CAVITY METHOD. EFFECTIVE FLOOR CAVITY REFLECTANCE 0.20

RC	80	50	30	10	50	30	10
1	64	61	58	57	55	53	51
2	58	53	48	49	46	43	44
3	52	46	41	43	39	35	41
4	48	40	35	38	33	30	37
5	44	36	30	34	29	26	33
6	40	32	27	31	26	22	29
7	38	29	24	28	23	20	27
8	35	27	21	25	21	18	25
9	33	24	19	23	19	16	23
10	31	22	18	22	17	14	21

LUMINANCE DATA IN CANDELA/SQ. METER

AVERAGE IN DEG.	AVERAGE 0-DEG.	AVERAGE 45-DEG.	AVERAGE 90-DEG.
45	1267.	1430.	1587.
55	1120.	1464.	1753.
65	914.	1650.	2161.
75	785.	2110.	2717.
85	562.	727.	810.

ZONAL LUMEN SUMMARY

ZONE	LUMENS	% LAMP	% FIXT
0- 30	813	14.8	24.8
0- 40	1328	24.1	40.5
0- 60	2387	43.4	72.8
0- 90	3279	59.6	100.0
90-180	0	0.0	0.0
0-180	3279	59.6	100.0

Model No. SIS2GPF254120PG

LER = FP - 44.5 IW - 122.62 BF - 1.0
Comparative yearly lighting energy cost per
1000 lumens = \$5.39

Report Number: G2005288
Catalog Number: SIS2GPF254120PG
Lamps: T5 HO 54W
Luminaire: SIS 2'x4' with 2 perforated side
baskets.
Ballast: QT 2X54/120PHO
Report is based on 4400 Lumens per lamp.
Efficiency: 61.6%
CIE Type-Direct-Indirect
Plane: 0-Deg 90-Deg
Spacing Criteria: 1.2 1.3
Shielding Angles: 90 90
Plane: 0-Deg 90-Deg
Luminous Length: 46.800 22.800

CANDELA DISTRIBUTION

	0.0	45.0	90.0	FLUX
0	1757	1757	1757	
5	1749	1745	1745	166
15	1658	1670	1687	472
25	1500	1536	1578	709
35	1287	1360	1438	852
45	1027	1160	1288	895
55	735	964	1155	856
65	441	802	1054	771
75	230	631	811	594
85	52	70	78	109
90	5	7	9	

COEFFICIENTS OF UTILIZATION - ZONAL CAVITY METHOD. EFFECTIVE FLOOR CAVITY REFLECTANCE 0.20

RC	80	50	30	10	50	30	10
1	66	63	60	59	57	55	53
2	60	54	50	51	47	44	49
3	54	47	42	44	40	37	43
4	50	42	36	39	35	31	38
5	45	37	31	35	30	27	34
6	42	33	28	32	27	23	31
7	39	30	25	29	24	20	28
8	36	27	22	26	22	18	25
9	34	25	20	24	20	16	23
10	32	23	18	22	18	15	22

LUMINANCE DATA IN CANDELA/SQ. METER

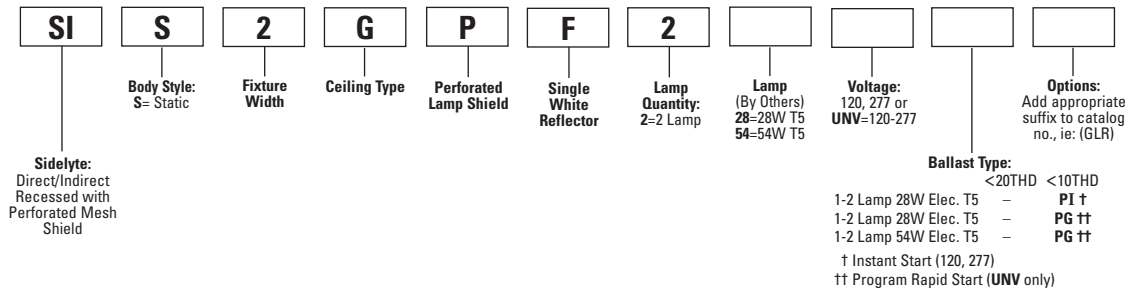
AVERAGE IN DEG.	AVERAGE 0-DEG.	AVERAGE 45-DEG.	AVERAGE 90-DEG.
45	2109.	2382.	2645.
55	1861.	2441.	2924.
65	1515.	2756.	3621.
75	1290.	3540.	4550.
85	866.	1166.	1300.

ZONAL LUMEN SUMMARY

ZONE	LUMENS	% LAMP	% FIXT
0- 30	1347	15.3	24.8
0- 40	2198	25.0	40.5
0- 60	3949	44.9	72.8
0- 90	5422	61.6	100.0
90-180	0	0.0	0.0
0-180	5422	61.6	100.0

Ordering Information

Explanation of Catalog Number. Example: SIS2GPF228120PIGLR



Options/Accessories

Fusing: Internal fast-blow fusing. SUFFIX GLR.
Internal slow-blow fusing. SUFFIX GMF.
Drywall Kit: Order Catalog Number: FK92X4.

Specifications

Performance: In an installation of 2 lamp 28W luminaires in a room cavity ratio of 1, with reflectance 80% ceiling, 50% walls, 20% floor, the C.U. shall not be less than .61. To reduce glare the average brightness at 65° shall not exceed 2161 candelas per square meter. To control veiling reflections, luminaire output in the 30°-90° zone shall not be less than 75.2%.

Materials: Chassis parts are die-formed code gauge cold rolled steel. Housing side rails hemmed over and housing ends are turned-in for safe handling.
Lamp Shields: 22 gauge steel perforated mesh lamp shield with white acrylic overlay.
Finish: Chassis exterior—black baked polyester enamel. Cavity—white baked polyester enamel minimum 86% reflectance. Phosphate undercoating.
Lamp Shield: Baked flat white acrylic enamel.

Specifications (continued)

Electrical: Thermally protected class "P" ballast C.B.M. approved, non PCB. If K.O. is within 3" of ballast, use wire suitable for at least 90°.
Labels: I.B.E.W. UL and ULc Listed.

Job Information

Type:

Lightolier a Genlyte company www.lightolier.com
Technical Information: (978) 657-7600 • Fax (978) 658-0595
631 Airport Road, Fall River, MA 02720 • (508) 679-8131 • Fax (508) 674-4710
We reserve the right to change details of design, materials and finish.
© 2006 a Genlyte company Section 5/Folio M17-15

LIGHTOLIER®