

READ AND UNDERSTAND THESE INSTRUCTIONS BEFORE INSTALLING FIXTURE

INSTRUCTION SHEET NO.

This fixture is intended for installation in accordance with the National Code and local regulations. To assure full compliance with local codes and regulations, check with your local electrical inspector before installation. To prevent electrical shock, turn off electricity at fuse box before proceeding.

SH20330

Page 1 of 2

Retain these instructions for maintenance reference.

INSTRUCTIONS FOR INSTALLATION OF AGILI-T FIXTURES

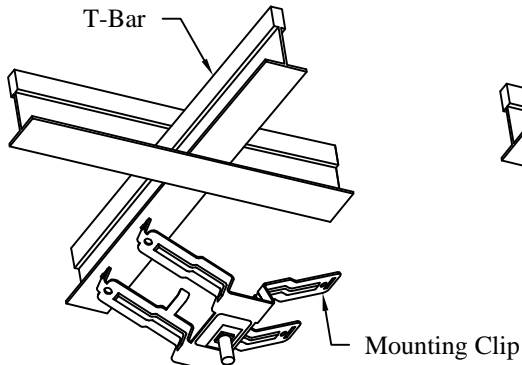


Figure 1

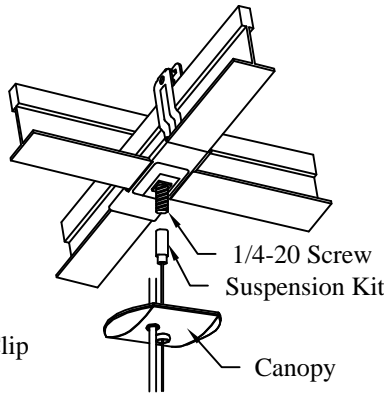


Figure 2

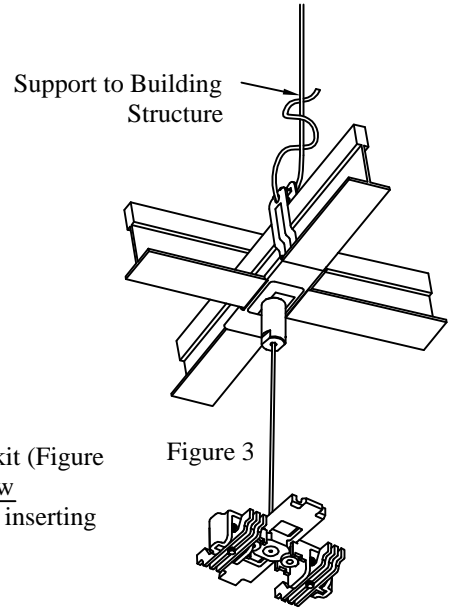


Figure 3

1. Install mounting clip on T-Bar (Figure 1) and insert canopy onto suspension kit (Figure 2).
2. Fasten Power Feed Suspension Kit or regular Suspension Kit to 1/4-20 screw provided (Figure 2). Attach clips to upper deck when required by local code by inserting support to building structure through the supplied holes (Figure 3).

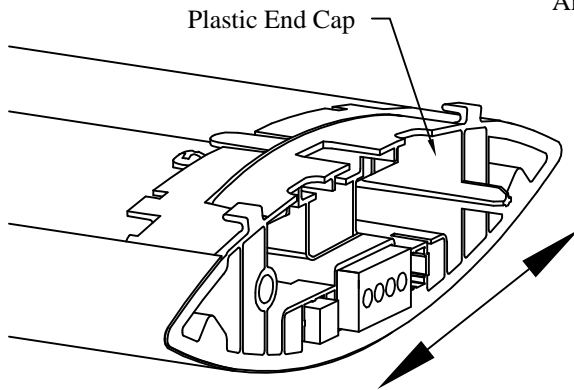


Figure 4

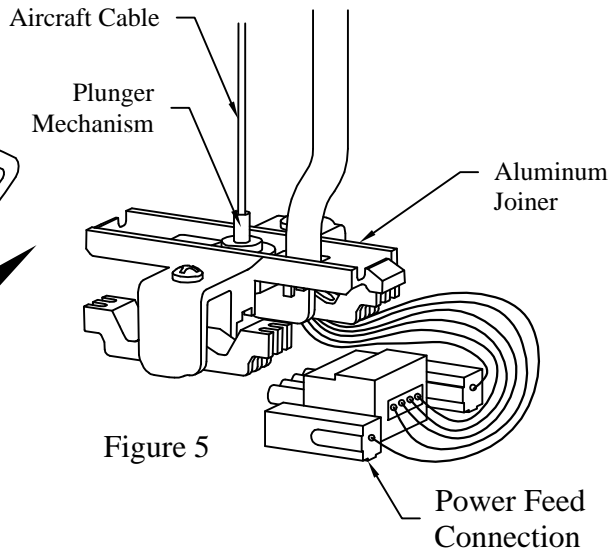


Figure 5

2. Install luminaire temporarily by inserting die-cast aluminum joiner mechanism at the end of aircraft cables (Figure 5). into plastic end cap of fixture (Figure 4). Manually plug in power feed connection (plus 2 extra communication cables for Agili-T Network) when installing single luminaire or first of a row (Figure 5).
3. Adjust height using aircraft cable plunger mechanism (Figure 5). Adjust level by sliding Aluminum Joiner sideways as needed (Figure 4). Final level adjustment can be performed before or after installing end-cap or next luminaire in a row.

This fixture is intended for installation in accordance with the National Code and local regulations. To assure full compliance with local codes and regulations, check with your local electrical inspector before installation. To prevent electrical shock, turn off electricity at fuse box before proceeding. **Retain these instructions for maintenance reference.**

INSTRUCTIONS FOR INSTALLATION OF AGILI-T FIXTURES

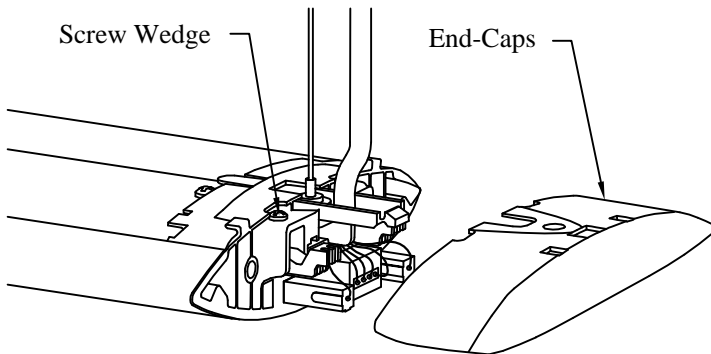


Figure 6

4. Place end-caps at luminaire extremities (Figure 6) or connect next luminaire in row (Figure 7).

5. Secure end-caps or next luminaire in row by tightening two screw wedges (Figure 6-7) of aluminum joiner (Figure 4).

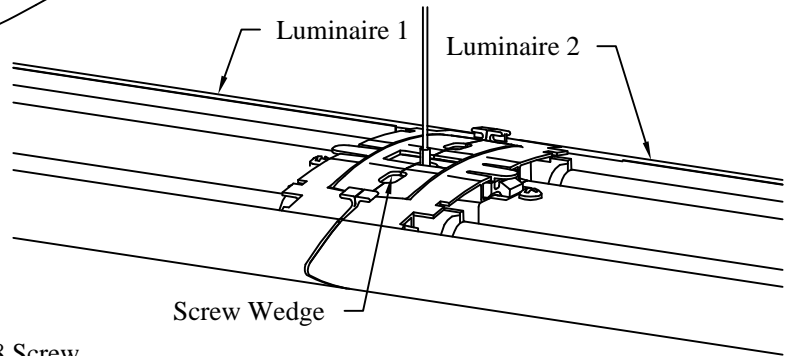


Figure 7

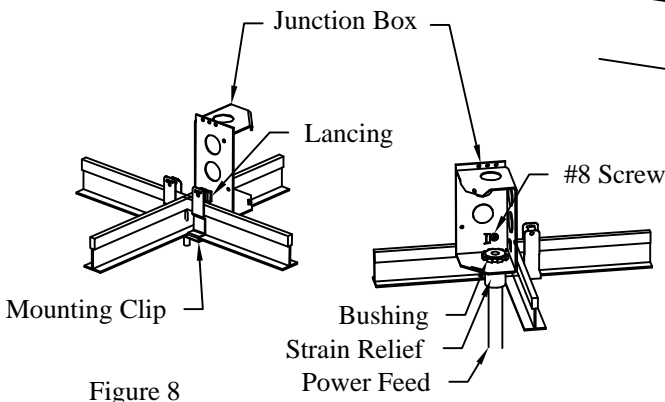


Figure 8

Figure 9

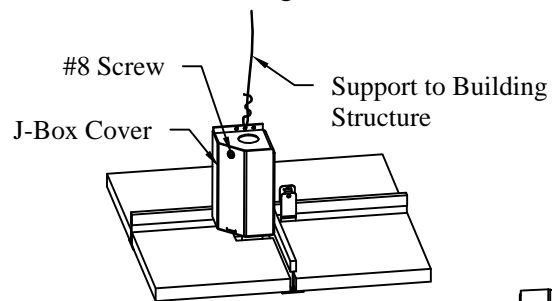


Figure 10

6. Locate Junction Box on mounting clip using lancings (Figure 8) and secure from inside with #8 screw provided. Pull power feed wire through bushing into J-Box, secure with strain relief and make electrical connections (Figure 9).

7. Install J-Box cover using #8 screw provided and secure J-Box to building structure as per local building codes (Figure 10).

8. Notch (1-1/2" x 1-1/2" max) and place tile (Figure 11).

9. Secure canopy using set screw provided (Figure 11).

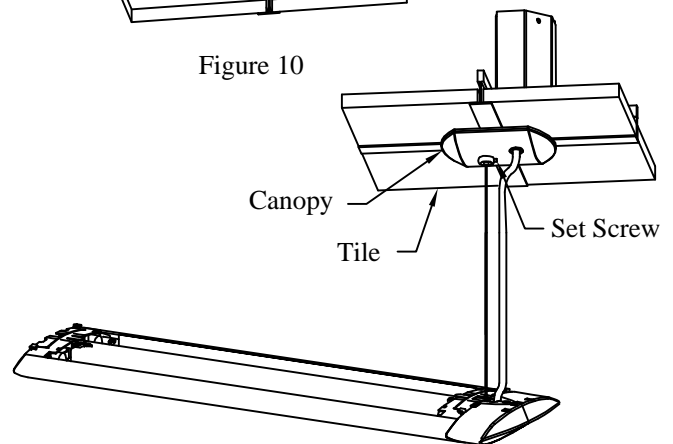


Figure 11