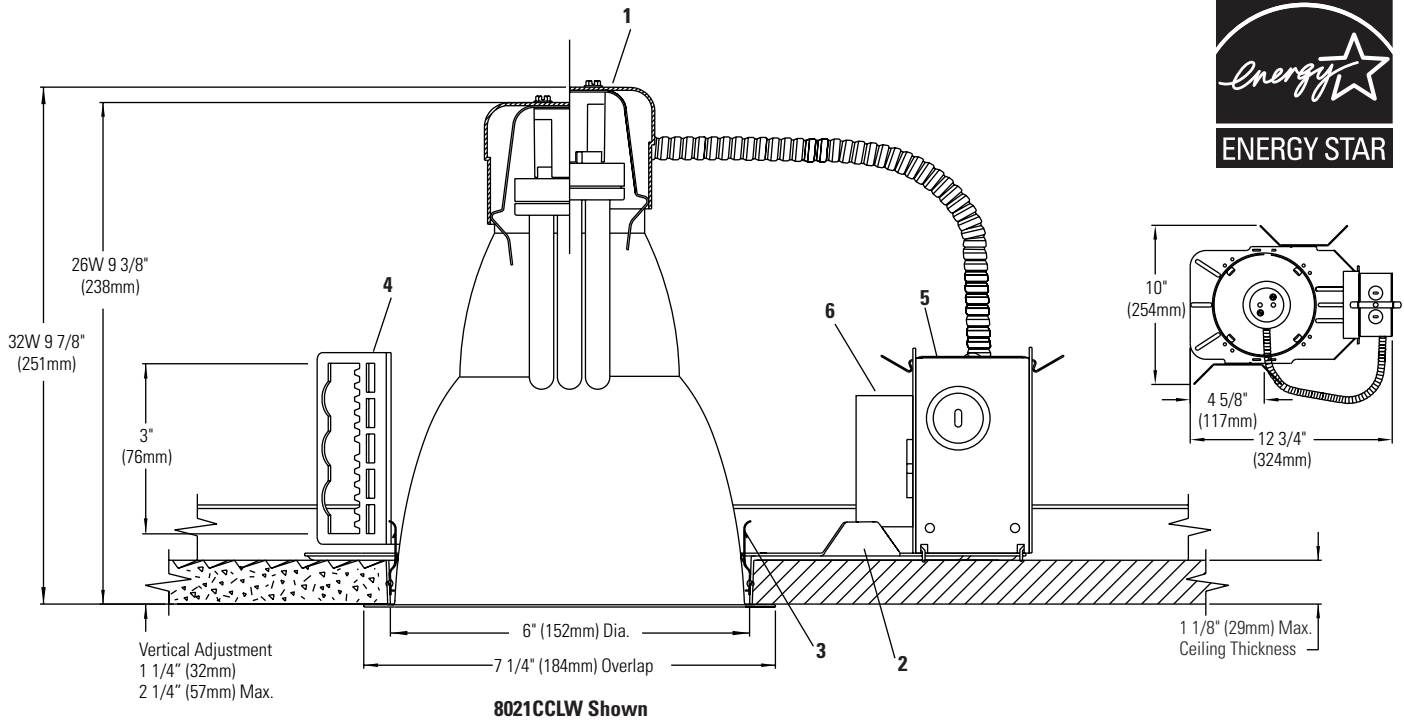


Calculite® Compact Fluorescent Recessed Downlighting **S6132BUES**

Page 1 of 1

6" Aperture Type Non-IC Triple Tube Frame-In Kit



Ceiling Cutout: 6 9/16" (167 mm) Dia.

Frame-In Kit		Compatible Reflector Trims	
S6132BUES	Electronic 120V 26 or 32W Triple Tube 4-Pin (Amalgam)	Downlights*	Wall Washer*
		8021 Open, Vertical Lamping	8021WW Open, Vertical Lamping
		8031 Open, Horizontal Lamping	8081 Open, Horizontal Lamping
		8091 Lensed, Horizontal Lamping	8046 Lensed
		8091CB Cross Blade, Horizontal Lamping	

*See individual Reflector Trim specification sheets for finishes and additional information

Features

- 1. Socket Cup:** Snaps onto reflector neck to assure consistently correct optical alignment without tools.
- 2. Mounting Frame:** Galvanized stamped steel for dry or plaster ceilings.
- 3. Retaining Springs:** Precision-tooled steel friction springs secure reflector to mounting frame for quick, tool-less installation.
- 4. Mounting Brackets:** Galvanized steel. Adjust from inside of fixture. Use 3/4" or 1 1/2" lathing channel, 1/2" EMT, or optional mounting bars.
- 5. J-Box:** UL listed for through branch circuit wiring with max of (8) No. 12 AWG, 90°C supply conductors.
- 6. Ballast:** 120V, electronic, rapid-start, high power factor, Class "P" thermally protected, end of lamp life and transient protection, THD <10%, FCC Class "B" consumer limits, Class "A" sound rating. Type 1 Outdoor. Min. starting temperature 0°F/-18°C. Outboard mounted to reduce heat transfer and maintain lamp efficacy and life. Service from below without tools.

Lamp	Input Wattage	Current
26W	29	0.24A
32W	36	0.31A

Options & Accessories

Emergency Lighting Frame-In Kit: Consult factory.

Mounting Bars: **1950** - 18" Set of (2)
1951 - 27" Set of (2)

T-Bar Anchor Clips: **1956** - Set of (4), for use with above

Labels

UL listed for damp locations; Energy Star/California Title 24.

Job Information	Type:
Job Name:	
Cat. No.:	
Lamp(s):	
Notes:	

Lightolier a Genlyte company www.lightolier.com
631 Airport Road, Fall River, MA 02720 • (508) 679-8131 • Fax (508) 674-4710
We reserve the right to change details of design, materials and finish.
© 2005 Genlyte Group LLC • 0705

LIGHTOLIER®