

**INSTRUCTIONS FOR ATTACHING MR-16
FRAMING PROJECTOR ACCESSORY**

FOR USE WITH LYESPAN® TRACK SYSTEMS ONLY.

INSTRUCTION SHEET NO.

IS:6497

R0590

Page 1 of 2

READ AND UNDERSTAND THESE INSTRUCTIONS BEFORE INSTALLING FIXTURE.

This fixture is intended for installation in accordance with the National Electrical Code and local regulations. To assure full compliance with local codes and regulations, check with your local electrical inspector before installation. To prevent electrical shock, turn off electricity at fuse box before proceeding.

Retain these instructions for maintenance reference.

1. Turn the fixtures OFF and allow the LAMP to cool before attaching the PROJECTER ACCESSORY.
2. Remove LAMPHOLDER ASSEMBLY from fixture. See Fig. 1. Note: Style of lampholder assembly will vary from fixture to fixture.
3. Remove MR-16 LAMP and GLASS LAMP GUARD from LAMPHOLDER ASSEMBLY.
4. Remove the INNER RING from PROJECTOR ACCESSORY by backing out the (2) LOCKING SCREWS (see Fig. 2).
5. Slip the INNER RING through the LAMP HOLDER ASSEMBLY making sure the notches in INNER RING clear the springs or inner ribs.
6. Slide the PROJECTOR ACCESSORY over the LAMP HOLDER ASSEMBLY. When properly positioned, hole in INNER RING will be aligned to accept LOCKING SCREWS.
7. Install LOCKING SCREWS half-way. Turn the PROJECTOR ACCESSORY clockwise until it is tight against the LAMP HOLDER ASSEMBLY. Tighten locking screws.
8. Replace the GLASS LAMP GUARD, install the proper wattage LAMP, and attach the LAMP ASSEMBLY with PROJECTOR ACCESSORY back on the fixture (see Fig. 3).
9. Turn the fixture ON and adjust the SHUTTER BLADES to frame object and focus the LENS for the sharpest beam.

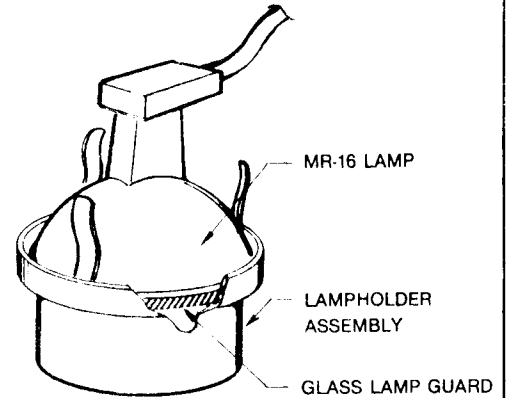


FIG. 1

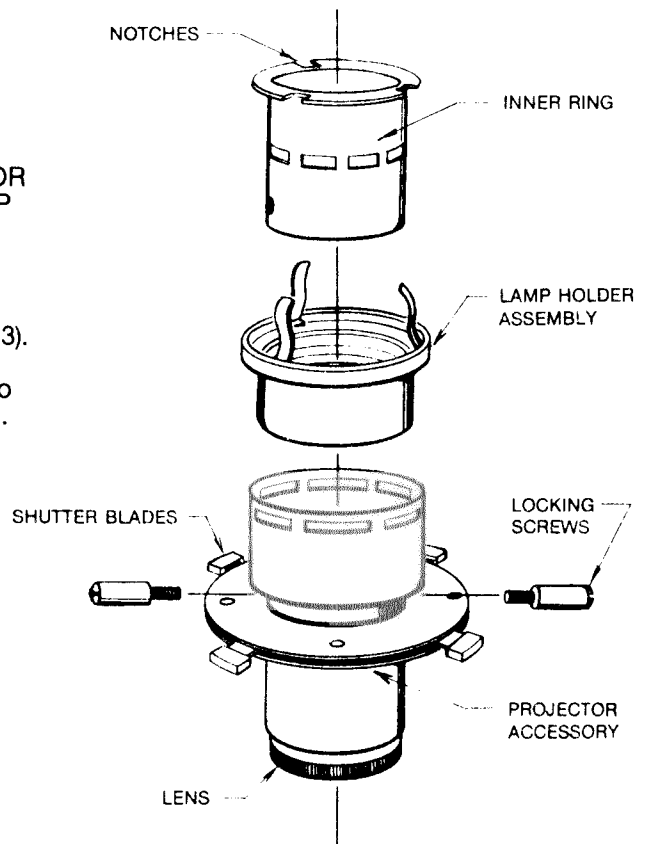


FIG. 2

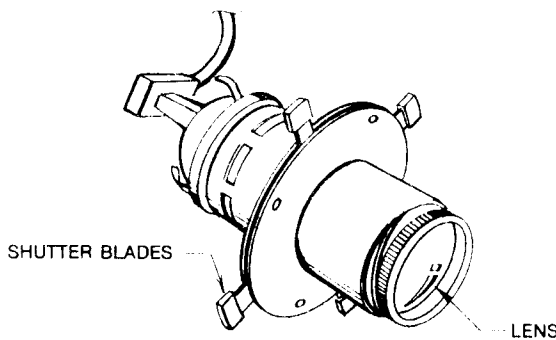


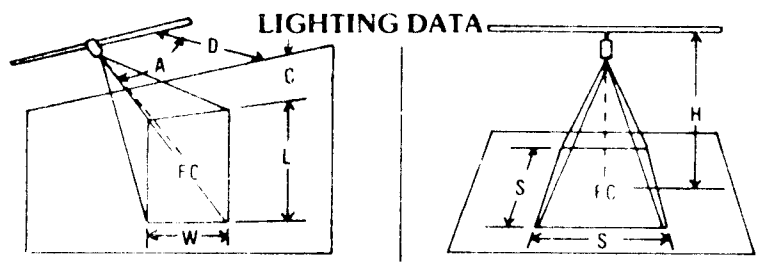
FIG. 3

WARNING: LAMP MANUFACTURERS REQUIRE THE GLASS LAMP GUARD BE IN PLACE BEFORE ENERGIZING LAMP, AND THAT GREAT CARE SHOULD BE TAKEN THAT LAMP IS FULLY COOLED BEFORE RELAMPING.

NOTE: This framing projector accessory is for use on specific Lightolier MR16 fixtures only. See fixture catalog for complete listing.

LIGHTOLIER SECAUCUS, NEW JERSEY, 07096
MONTREAL, QUEBEC, CANADA

MR-16 FRAMING PROJECTOR ACCESSORY



ILLUMINATION ON VERTICAL PLANE

Shutter Blades Set For Maximum Beam Coverage

Distance (D)	24"			36"			48"			60"			72"			84"			96"		
Aiming Angle (A)	30°	45°	60°	30°	45°	60°	30°	45°	60°	30°	45°	60°	30°	45°	60°	30°	45°	60°	30°	45°	60°
Width (W)	12"	18"	22"	20"	30"	35"	29"	42"	48"	37"	54"	62"	46"	66"	75"	54"	78"	88"	63"	90"	101"
Length (L)	16"	22"	44"	27"	37"	70"	39"	51"	97"	50"	66"	123"	61"	81"	150"	72"	95"	176"	84"	110"	202"
Distance (C)	13"	22"	33"	20"	33"	50"	26"	44"	66"	33"	55"	83"	39"	66"	99"	46"	77"	116"	52"	88"	132"
FC	50W MR-16 FL EXN			130			65			39			26			18			14		
	75W MR-16 FL EYC			234			117			70			47			33			25		

Length (L) to the point that FC drops to 10% of maximum.

ILLUMINATION ON HORIZONTAL PLANE

Unit Aimed 0° From Vertical
Shutter Blades Set For Maximum Beam Coverage

Distance (D)	4'	5'	6'	7'	8'	9'	10'	11'	12'	
Sides (S)	20"	26"	32"	38"	44"	50"	56"	63"	69"	
FC	50W MR-16 FL EXN		42		30		22		17	
	75W MR-16 FL EYC		75		53		40		31	