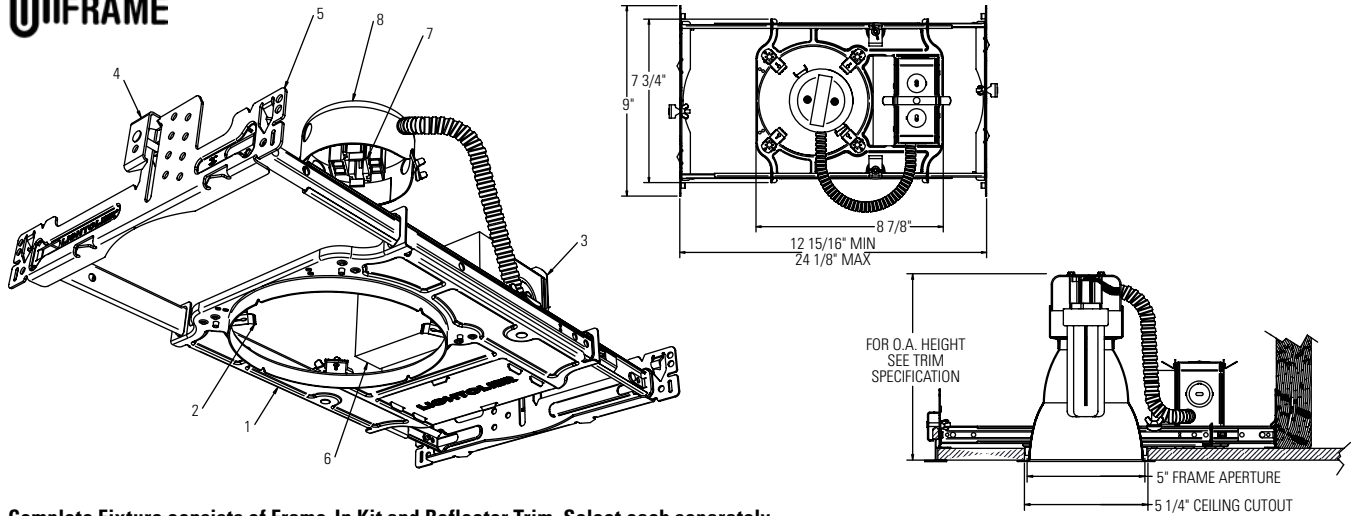


LIGHTOLIER® Performance Recessed CFL Downlighting **1001FDM**

Page 1 of 1

5" Aperture, 1 Light, Compact Fluorescent, Non-IC, Dimming, Frame-In Kit



Complete Fixture consists of Frame-In Kit and Reflector Trim. Select each separately.

UniFrame™ Frame-In Kit	UniFrame™ Compact Fluorescent Performance Series Reflector Trims										
	Vertical Open	Vertical Wall Wash - Single	Vertical Wall Wash - Double	Horizontal Open	Horizontal Wall Wash - Single	Horizontal Wet Location Lensed / Diffused			Horizontal Cross Blade		
1001FD26MX1 (Advance Mark10 – 120v) 26w Triple, GX24q-3 Base 120v – 0.26amp max 1001FD26MX2 (Advance Mark10 – 277v) 26w Triple, GX24q-3 Base 277v – 0.11amp max 1001FD13M7U (Advance Mark7 – 120/277v) 13w Triple, GX24q-3 Base 120v – 0.14amp max 277v – 0.07amp max 1001FD18M7U (Advance Mark7 – 120/277v) 18w Triple, GX24q-3 Base 120v – 0.18amp max 277v – 0.09amp max 1001FD26M7U (Advance Mark7 – 120/277v) 26w Triple, GX24q-3 Base 120v – 0.26amp max 277v – 0.11amp max	1001CL 1001CD 1001WH	1001CLSW 1001CDSW 1001WHSW	1001CLDW 1001CDDW 1001WHDW	1001HCL 1001HCD 1001HWH	1001HCLSW 1001HCDSW 1001HWHSW	1001HCLC 1001HCLD 1001HCLF 1001HCLG 1001HCLH 1001HCLJ 1001HCLK 1001HCLL 1001HCLM 1001HCLN 1001HCLP 1001HCLQ 1001HCLR 1001HCLS 1001HCLT 1001HCLU 1001HCLV 1001HCLW 1001HCLX 1001HCLY 1001HCLZ	1001HCLF 1001HCLG 1001HCLH 1001HCLJ 1001HCLK 1001HCLL 1001HCLM 1001HCLN 1001HCLP 1001HCLQ 1001HCLR 1001HCLS 1001HCLT 1001HCLU 1001HCLV 1001HCLW 1001HCLX 1001HCLY 1001HCLZ	1001HCLC 1001HCLD 1001HCLF 1001HCLG 1001HCLH 1001HCLJ 1001HCLK 1001HCLL 1001HCLM 1001HCLN 1001HCLP 1001HCLQ 1001HCLR 1001HCLS 1001HCLT 1001HCLU 1001HCLV 1001HCLW 1001HCLX 1001HCLY 1001HCLZ	1001HCLC 1001HCLD 1001HCLF 1001HCLG 1001HCLH 1001HCLJ 1001HCLK 1001HCLL 1001HCLM 1001HCLN 1001HCLP 1001HCLQ 1001HCLR 1001HCLS 1001HCLT 1001HCLU 1001HCLV 1001HCLW 1001HCLX 1001HCLY 1001HCLZ	1001HCLC 1001HCLD 1001HCLF 1001HCLG 1001HCLH 1001HCLJ 1001HCLK 1001HCLL 1001HCLM 1001HCLN 1001HCLP 1001HCLQ 1001HCLR 1001HCLS 1001HCLT 1001HCLU 1001HCLV 1001HCLW 1001HCLX 1001HCLY 1001HCLZ	1001HACB 1001HWHCB
Universal Series Reflector Trims (Not all lamping compatible. Reference Trim Spec Sheet)											
Performance Cone	Cone	Satin Cone	Baffle	Wall Wash	Wet Location						
1013CFL 1013CDCFL	1012* 1013* 1013BK* 1013WH 1013CD* 1071 1045 1046 1046CD	1008* 1010*	1005* 1005BNM 1005WH 1076 1076WH	1035 1035WH 1085 1095 1096 1096CD	1024 1078						
*Add NM suffix to catalog number for Natural Metal flange and finish.											

Features

- Mounting Frame:** .036" (#20ga.) Galvanized Steel. Accommodates all ceilings up to 1-1/2" thick; including existing or inaccessible areas.
- Trim Clips:** "Push In / Twist Out" Stainless Steel clips hold reflector flush to ceiling.
- Junction Box:** 2" x 4" x 3-1/2" (22cu.in.) .032" (#22ga.) galvanized steel. UL Listed for maximum of 8 (#12ga.) through branch circuit conductors.
- UniFrame™ Mounting System – Grid Ceiling:** Tool free mounting in grid ceilings. .036" (20ga.) Galvanized Steel interlocking slide bars adjust to 24-1/8" long accommodating 24" O.C. Ceiling Grid. Adjustable speed clamps for positive attachment to grid ceiling systems.
- UniFrame™ Mounting System – Wood Joist Ceiling:** Integral nailing tabs, alignment guides, fastener holes and bendable strapping guides for wood joist installation. Galvanized Steel interlocking slide bars adjust from 12-15/16" to 24-1/8" long to accommodate 16" and 24" O.C. joist spacing, with or without strapping.
- Ballast:** 120V – 277V UL Listed Electronic Ballast, end of lamp life protection, class "P" thermally protected, class "A" sound rating.
- Socket:** Four-pin base, molded thermoplastic socket, prewired with No. 18 AWM leads to ballast.
- Socket Housing:** .036" (#20ga.) Galvanized Steel housing attaches to reflector trim by spring clip for precise optic alignment.

Accessories

1967B Extra Thick Ceiling Adapter (2" thk)

Labels

cULus Listed. Suitable for Damp Locations.

Job Information	Type:
Job Name:	
Cat. No.:	
Lamp(s):	
Notes:	

631 Airport Road, Fall River, MA 02720 • (508) 679-8131 • Fax (508) 674-4710
 We reserve the right to change details of design, materials and finish.
 www.lightolier.com © 2008 Philips Group • G0808