



Shown: Lamp Head: (1) RT66W
Mounting Plate: (1) MB1*



Shown: Lamp Head: (2) RT66W
Mounting Plate: (1) MB2*

Thermoplastic Wedge Base Round Head

- Constructed of impact resistant, UL 94 V-0, 5 VA thermoplastic
- White or black with matching mounting plates
- Available with sealed beam Par 36 or wedge base, tungsten or halogen lamps
- Lamps easily replaced by removing the snap-in retainer ring



Shown: Lamp Head: (1) S66W
Mounting Plate: (1) MW1*



Shown: Lamp Head: (2) S66W
Mounting Plate: (1) MB2*

Polycarbonate Wedge Base Rectangular Head

- Constructed of polycarbonate
- Available in white, black or tan with matching mounting plates
- Features 6 volt or 12 volt tungsten T-5 wedge base lamps
- Lamps easily replaced by removing snap ring



Shown: Lamp Head: (1) CT86
Mounting Plate: (1) MP1S*



Shown: Lamp Head: (2) CT86
Mounting Plate: (1) MP2*

Thermoplastic & Metal Chrome Sealed Beam Par 36

- Constructed of impact resistant, UL 94 V-0, 5 VA thermoplastic or chrome-plated steel
- Available with 6 volt or 12 volt sealed beam tungsten or halogen lamps
- Lamps easily replaced by removing snap ring



Shown: Lamp Head: (1) HT86
Mounting Plate: (1) MP1*



Shown: Lamp Head: (2) HT86
Mounting Plate: (1) MP3*

Industrial Polycarbonate Sealed Beam Par 36

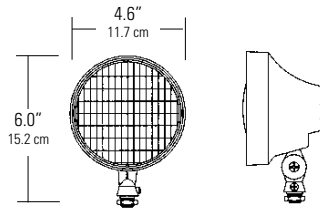
- Available for NEMA or Class 1, Division 2 applications
- Constructed of gray polycarbonate
- Available with 6 volt or 12 volt Par 36 sealed beam tungsten or halogen lamps
- Optional shatterproof lens for food service applications
- Lamp heads are fully gasketed
- Lamps easily replaced by removing ring bezel

* See MP spec sheet for mounting plates

Job Information	Type:
Job Name:	
Cat. No.:	
Lamp(s):	
Notes:	

631 Airport Road, Fall River, MA 02720 • (508) 679-8131 • Fax (508) 674-4710
We reserve the right to change details of design, materials and finish.
www.lightolier.com © 2008 Philips Group • D0308

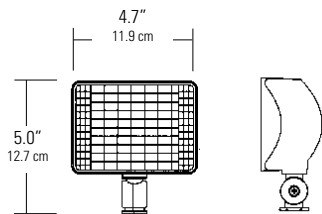
Thermoplastic Wedge Base Round Head



Specifications/Ordering Information

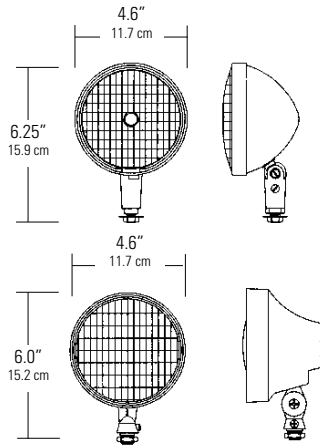
	VOLTAGE	WATTAGE	CATALOG NUMBER		REPLACEMENT LAMP NO.	
			WHITE	BLACK	LIGHTOLIER NO.	ANSI NO.
TUNGSTEN	6-VOLT	5.4	RT66W	RT66B	19-2-54	939
		7.2	RT76W	RT76B	19-2-58	927
		9.0	RT96W	RT96B	19-2-45	908
	12-VOLT	9.0	RT912W	RT912B	19-2-53	915
		12.5	RT1212W	RT1212B	19-2-62	922
HALOGEN	6-VOLT	7.0	RH76W	RH76B	19-2-83	ERM
		10.0	RH106W	RH106B	19-2-82	ERN
		12.0	RH126W	RH126B	19-2-84	ERK
	12-VOLT	12.0	RH1212W	RH1212B	19-2-85	ERB

Polycarbonate Wedge Base Rectangular Head



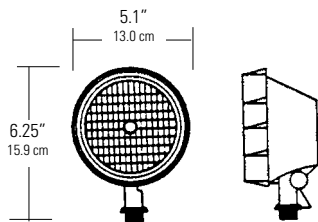
	VOLTAGE	WATTAGE	CATALOG NUMBER		REPLACEMENT LAMP NO.	
			WHITE	BLACK	LIGHTOLIER NO.	ANSI NO.
TUNGSTEN	6-VOLT	5.4	S66W	S66B	19-2-54	939
		7.2	S76W	S76B	19-2-58	927
		9.0	S96W	S96B	19-2-45	908
	12-VOLT	9.0	S912W	S912B	19-2-53	915
		12.5	S1212W	S1212B	19-2-62	922
	18.0	S1812W	S1812B	19-2-61	921	

Thermoplastic & Metal Chrome Sealed Beam Par 36



	VOLTAGE	LAMP WATTS	CATALOG NUMBER			REPLACEMENT LAMP NO.	
			METAL CHROME	WHITE	BLACK	LIGHTOLIER NO.	ANSI NO.
TUNGSTEN	6-VOLT	8.0	CT86	PT86W	PT86B	19-1-7613	7613
		18.0	CT186	PT186W	PT186B	19-1-4014	4014
		25.0	CT256	PT256W	PT256B	19-1-4510	4510
	12-VOLT	30.0	CT306	PT306W	PT306B	19-1-4515	4515
		12.0	CT1212	PT1212W	PT1212B	19-1-4044	4044
		18.0	CT1812	PT1812W	PT1812B	19-1-4414	4414
HALOGEN	6-VOLT	25.0	CT2512	PT2512W	PT2512B	19-1-4446	4446
		30.0	CT3012	PT3012W	PT3012B	19-1-4405	4405
		8.0	CH86	PH86W	PH86B	19-1-7551	7551
	12-VOLT	12.0	CH126	PH126W	PH126B	19-1-7553	7553
		8.0	CH812	PH812W	PH812B	19-1-7555	7555
		12.0	CH1212	PH1212W	PH1212B	19-1-7557	7557

Industrial Polycarbonate Sealed Beam Par 36



	VOLTAGE	LAMP WATTS	CATALOG NUMBER*		REPLACEMENT LAMP NO.	
			CLASS 1 DIV 2 GRAY	NEMA RATED	LIGHTOLIER NO.	ANSI NO.
TUNGSTEN	6-VOLT	8.0	HT86	IT86	19-1-7613	7613
		18.0	HT186	IT186	19-1-4014	4014
		25.0	HT256	IT256	19-1-4510	4510
	12-VOLT	30.0	HT306	IT306	19-1-4515	4515
		12.0	HT1212	IT1212	19-1-4044	4044
		18.0	HT1812	IT1812	19-1-4414	4414
HALOGEN	6-VOLT	25.0	HT2512	IT2512	19-1-4446	4446
		30.0	HT3012	IT3012	19-1-4405	4405
		6.0	HH66	IH66	19-1-7556	7556
	12-VOLT	8.0	HH86	IH86	19-1-7551	7551
		12.0	HH126	IH126	19-1-7553	7553
		8.0	HH812	IH812	19-1-7555	7555
	12.0	HH1212	IH1212	19-1-7557	7557	

* TO ORDER SHATTER-RESISTANT LAMP HEADS, ADD THE SUFFIX "S" TO THE SELECTED HEAD TYPE (EX. IH1212S)

Job Information

Type:

631 Airport Road, Fall River, MA 02720 • (508) 679-8131 • Fax (508) 674-4710
 We reserve the right to change details of design, materials and finish.
www.lightolier.com © 2008 Philips Group • D0308