

ALTER SOFT LIGHTS QVW8SPF0S2FT

Page 1 of 2

SURFACE SCONCE II, 9"x24" DIRECT/INDIRECT FLUORESCENT
2 LAMP, TT5 BI-TUBE, 4" DEEP
MICROPERFORATED MESH LAMP SHIELD

Features

- Efficiency 69.7%.
- Uses mounting surface as part of optical system.
- Swing down microperforated lamp shields for easy relamping and maintenance.
- Alter soft white film on inside of mesh conceals lamp image providing balance between reflected and direct light.
- 95% Reflective Alter soft white paint finish.
- One piece body for easy installation.
- Optional acrylic drop-down visual element (ceiling mount only).
- Meets ADA when wall mounted.

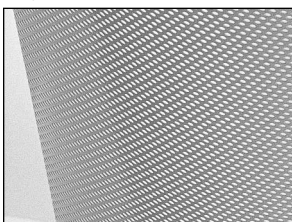


Mounting Methods / Features

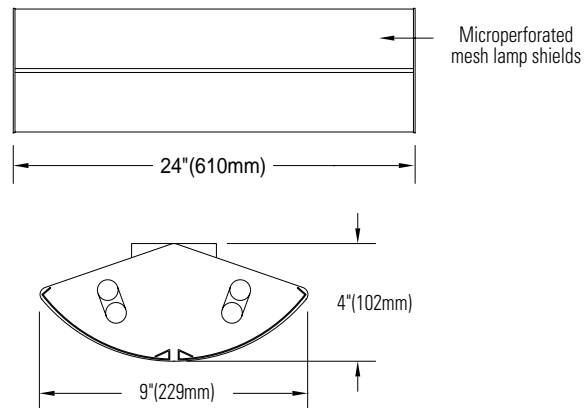
Swing down optical system for easy relamping and maintenance



Microperforated mesh lamp shields



Dimensions



Job Information

Type:

Job Name:

Cat. No.:

Lamp(s):

Volts/Ballast:

Lightolier a Genlyte Thomas Company

www.lightolier.com

Technical Information: (978) 657-7600 • Fax (978) 658-0595

631 Airport Road, Fall River, MA 02720 • (508) 679-8131 • Fax (508) 674-4710

We reserve the right to change details of design, materials and finish.

© 2002 Genlyte Thomas Group LLC (Lightolier Division)

A0902

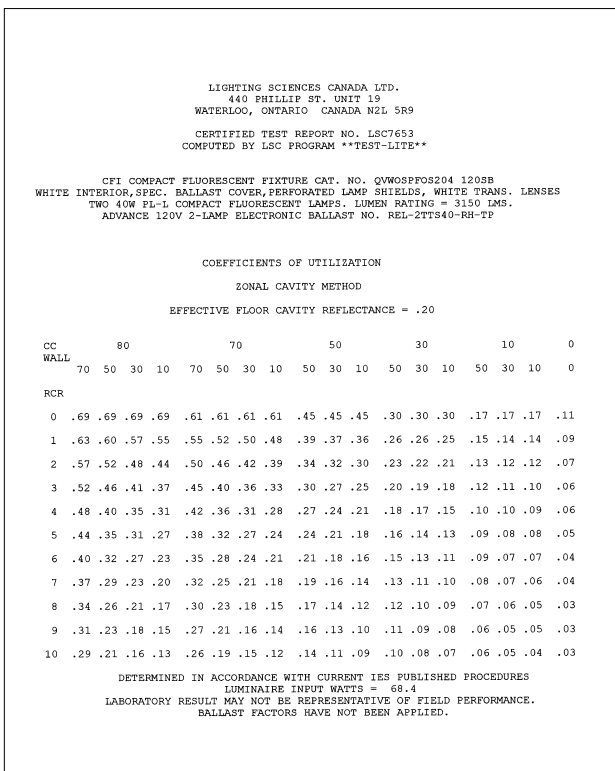
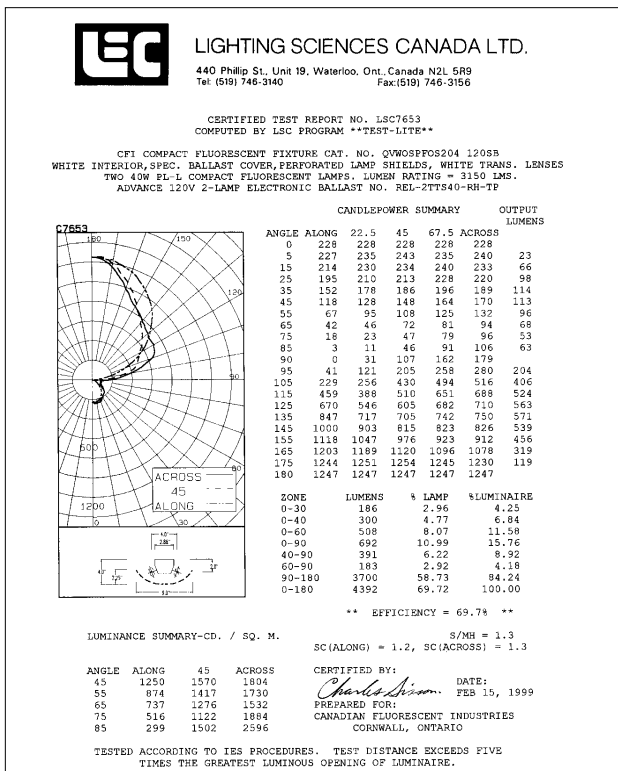
Section 5 / Folio L70-15

LIGHTOLIER

ALTER SOFT LIGHTS QVW8SPF0S2FT

SURFACE SCONCE II, 9"x24" DIRECT/INDIRECT FLUORESCENT 2 LAMP, TT5 BI-TUBE, 4" DEEP MICROPERFORATED MESH LAMP SHIELD

Photometry



Ordering Information

Explanation of Catalog Number. Example: QVW8SPF0S2FT120SB

QVW	8	S	PF	2	FT			
QUALITY VISUAL STATIC Wall/Surface direct indirect soft light optical system	FIXTURE WIDTH: 9"	WALL/SURFACE	LAMP SHIELD: PF = Microperforated	LAMP QUANTITY	LAMP/FIXTURE LENGTH: (NOMINAL 24") FT = TT5 Bi-Tube	VOLTAGE: 120V 277V 347V	BALLAST: BE = 50W Electronic TT5 RS BR = 40W Electronic TT5 RS BX = 40W Magnetic TT5 RS PB = 40W TT5 PowerSpec Dimming* PC = 50/55W TT5 PowerSpec Dimming* SB = 40W Generic Electronic TT5	OPTIONS: R = Radio Interference Filter O = Emergency Lighting System (for Canada) N = Emergency Lighting System (for U.S.)

CLEAR POLISHED ACRYLIC DROP DOWN VISUAL ELEMENT (Ceiling mount only):
OS = Open slot (no acrylic)
GC = Clear acrylic
GG = Clear acrylic / Green projected color face
GB = Clear acrylic / Blue projected color face
GR = Clear acrylic / Red projected color face

*Not available in 347V.

Specifications

MATERIALS: One piece chassis constructed from die formed 20 gauge cold rolled steel. Reflectors - 95% reflectance baked white acrylic matte paint finish. Soft white acrylic film on inside of lamp shield conceals lamp image.

FINISH: Chassis exterior - phosphate undercoating, baked white acrylic matte high reflectance paint finish.

ELECTRICAL: Rapid start HPF, thermally protected class "P" ballast (Bi-tube type).

If K.O.s are within 3" of ballast use wire suitable for at least 90C.

LABELS: Listed by



Job Information

Type:

Lightlier a Genlyte Thomas Company www.lightlier.com
Technical Information: (978) 657-7600 • Fax (978) 658-0595
631 Airport Road, Fall River, MA 02720 • (508) 679-8131 • Fax (508) 674-4710
We reserve the right to change details of design, materials and finish.
© 2002 Genlyte Thomas Group LLC (Lightlier Division)
A0902 **Section 5 / Folio L70-15**

LIGHTLIER