

INSTRUCTIONS FOR ASSEMBLING AND INSTALLING FIXTURE**READ AND UNDERSTAND THESE INSTRUCTIONS BEFORE INSTALLING FIXTURE.**

This fixture is intended for installation in accordance with the National Electrical Code and local or federal code specifications. To prevent electrical shock, turn off electricity at fuse box before proceeding.

Retain these instructions for maintenance reference.

CAUTION: FOR WET LOCATIONS, IN ACCORDANCE WITH UNDERWRITERS LABORATORIES REQUIREMENTS, A LINE OF CAULKING COMPOUND SUCH AS ACRYLIC LATEX OR BUTYL MUST BE PLACED AROUND THE BACK OF THE FIXTURE, APPROXIMATELY 1/2" FROM THE EDGES, IN ORDER TO SEAL WATER AWAY FROM THE OUTLET BOX AND BACK OPENINGS.

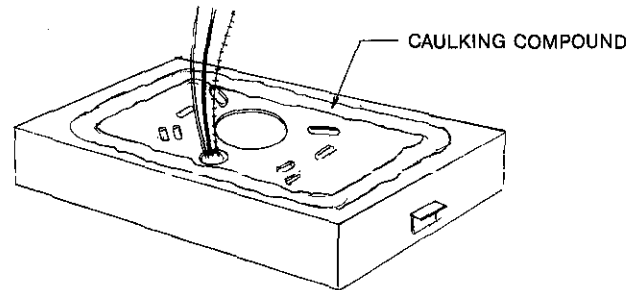


FIG. 1

1. Disassemble fixture by removing LATCH SCREW visible at side. HOUSING "hinges" down for removal. See Fig. 3. **NOTE:** A #10 allen wrench (not provided) is required for 6580 and 6581.
2. Remove appropriate knockouts.
3. Make connections: Black fixture lead or fixture lead without tracer mark to black supply lead; white fixture lead or fixture lead with tracer mark to white supply lead. Attach bare GROUND WIRE to outlet box grounding screw (or to other system ground). Use WIRE NUTS (local hardware item). Place connections in OUTLET BOX. See Fig. 2.
4. Secure FIXTURE BODY to OUTLET BOX with OUTLET BOX SCREWS provided in OUTLET BOX.
5. Mount diffuser HOUSING to FIXTURE BODY by tilting HOUSING to engage lug with projection of FIXTURE BODY. Swing HOUSING into position, seating against GASKET. See Fig. 3.
6. Press HOUSING into alignment against GASKET and secure with LATCH SCREW. See Fig. 3. **NOTE:** Mount with LATCH SCREW down in wall mounting.

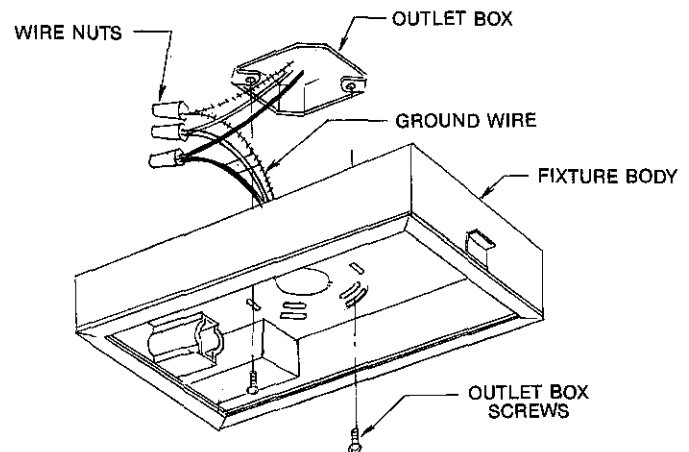


FIG. 2

CAUTION: WATTAGE AS MARKED ON FIXTURE MUST BE USED. MINIMUM STARTING TEMPERATURE OF BALLAST IS RATED AT 32°.

LAMPS-Use: PL by Philips
TT by Sylvania
Dulux® by Osram
Moduline by General Electric

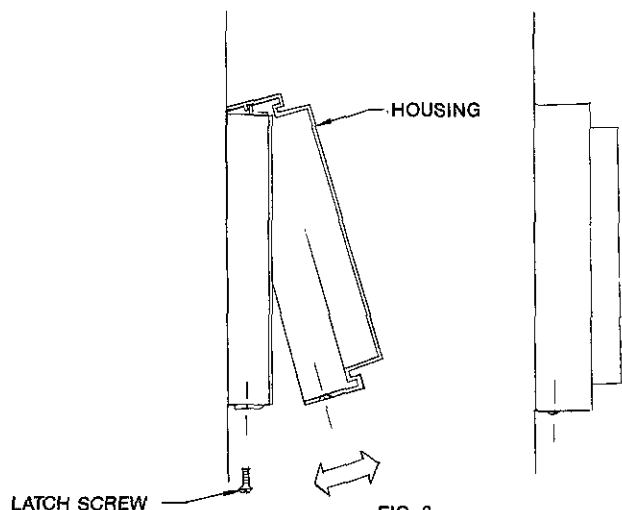


FIG. 3