

ALTER SOFT LIGHTS QVS1GPFOS232

1'x4' RECESSED DIRECT/INDIRECT FLUORESCENT,
2 LAMP, TT8, 5" DEEP
MICROPERFORATED MESH LAMP SHIELD, STATIC

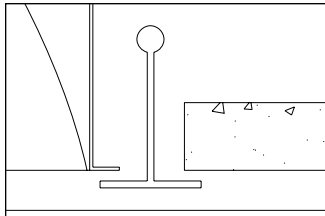
Features

- Efficiency 49.8%.
- Swing down microperforated lamp shield for easy relamping and maintenance.
- Alter soft white film on inside of mesh conceals lamp image providing balance between reflected and direct light.
- Fully recessed luminaire and lamp compartment.
- 95% Reflective Alter soft white paint finish.
- Specular interior reflector. (solid lamp shield only)
- One piece body for easy installation.
- Easy access to ballast through lamp compartment.
- Fits standard T-Grid ceilings.
- Optional acrylic drop-down visual element.

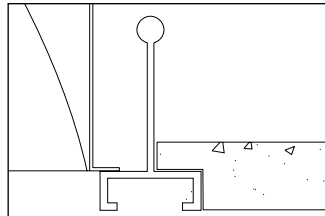


Mounting Methods / Features

Ceiling compatibility for G type luminaire e.g. QVS1GPFOS232120SO

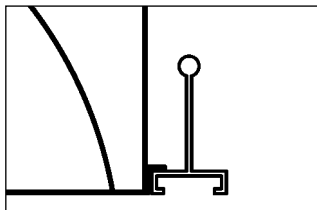


Suited to standard exposed T-grid ceilings



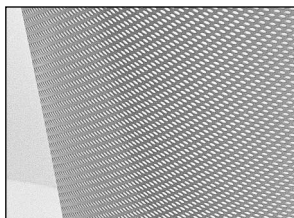
Suited to standard exposed Slot T-grid ceilings

T type luminaire
e.g. QVS1TPFOS232120SO

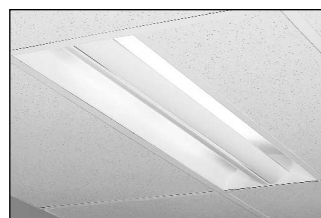


Construction specially designed for exposed slot T-grid to preserve the cove effect

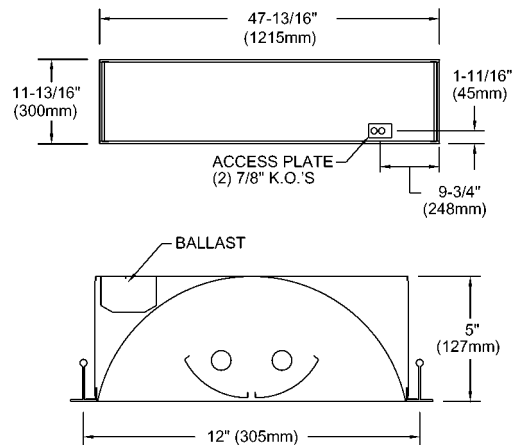
Microperforated mesh lamp shields



Also available with solid opaque swing-down lamp shield



Dimensions



Job Information

Type:

Job Name:

Cat. No.:

Lamp(s):

Volts/Ballast:

Lightolier a Genlyte Thomas Company

www.lightolier.com

Technical Information: (978) 657-7600 • Fax (978) 658-0595

631 Airport Road, Fall River, MA 02720 • (508) 679-8131 • Fax (508) 674-4710

We reserve the right to change details of design, materials and finish.

© 2002 Genlyte Thomas Group LLC (Lightolier Division)

A0902

Section 5 / Folio L20-30

LIGHTOLIER®

ALTER SOFT LIGHTS QVS1GPFOS232

1'x4' RECESSED DIRECT/INDIRECT FLUORESCENT,
2 LAMP, T8, 5" DEEP
MICROPERFORATED MESH LAMP SHIELD, STATIC

Photometry

LEG LIGHTING SCIENCES CANADA LTD.
440 Phillip St., Unit 19, Waterloo, Ont., Canada N2L 5R9
Tel: (519) 746-3140 Fax: (519) 746-3156

CERTIFIED TEST REPORT NO. LSC7111
COMPUTED BY LSC PROGRAM **TEST-LITE**

CFI ALTER 1x4 RECESSED INDIRECT FIXTURE CAT. NO. QVS1GPFOS240120S0
WITH WHITE PAINTED INTERIOR AND PERFORATED LAMP SHIELDS WITH TRANSLUCENT LENSES
TWO P32T8/TL841 32W T8 FLUORESCENT LAMPS. LUMEN RATING = 3000 LMS.
ADVANCE 120V 1 OR 2-LAMP ELECTRONIC BALLAST NO. REL-2F32-RH-TP

CANDLEPOWER SUMMARY

ANGLE	ALONG	45	67.5	ACROSS	OUTPUT LUMENS
0	1145	1145	1145	1145	1145
5	1138	1143	1140	1136	1144
10	1125	1124	1130	1140	1141
15	1099	1105	1115	1111	1114
20	1066	1083	1079	1084	1084
25	1030	1030	1047	1045	1040
30	980	980	995	988	990
35	914	923	933	911	905
40	855	860	865	808	790
45	789	791	767	686	656
50	698	700	647	560	526
55	623	612	518	426	398
60	533	502	386	314	318
65	443	379	254	244	241
70	349	252	181	181	180
75	257	130	124	115	115
80	137	73	65	57	65
85	32	27	31	26	23
90	0	0	0	0	0

ZONAL LUMENS AND PERCENTAGES

ZONE	LUMENS	% LAMP	% LUMINAIRE
0-30	902	15.04	30.21
0-40	1475	24.60	49.40
0-60	2503	41.73	83.82
0-90	2987	49.78	100.00
40-90	1511	25.19	50.60
60-90	483	8.06	16.18
90-180	0	0.00	0.00
0-180	2987	49.78	100.00

** EFFICIENCY = 49.8% **

LUMINANCE SUMMARY-CD / SQ. M. S/MH = 1.3 SC = 1.3

ANGLE	ALONG	45	ACROSS	CERTIFIED BY:	DATE:
45	3545	3460	2960	Charles Dixon	OCT 10, 1997
55	3449	2881	2212	PREPARED FOR:	
65	3233	1919	1816	CANADIAN FLUORESCENT INDUSTRIES	
75	3158	1527	1420	CORNWALL, ONTARIO	
85	1152	1144	828		

TESTED ACCORDING TO IES PROCEDURES. TEST DISTANCE EXCEEDS FIVE TIMES THE GREATEST LUMINOUS OPENING OF LUMINAIRE.

LIGHTING SCIENCES CANADA LTD.
440 PHILLIP ST., UNIT 19
WATERLOO, ONTARIO CANADA N2L 5R9

CERTIFIED TEST REPORT NO. LSC7111
COMPUTED BY LSC PROGRAM **TEST-LITE**

CFI ALTER 1x4 RECESSED INDIRECT FIXTURE CAT. NO. QVS1GPFOS240120S0
WITH WHITE PAINTED INTERIOR AND PERFORATED LAMP SHIELDS WITH TRANSLUCENT LENSES
TWO P32T8/TL841 32W T8 FLUORESCENT LAMPS. LUMEN RATING = 3000 LMS.
ADVANCE 120V 1 OR 2-LAMP ELECTRONIC BALLAST NO. REL-2F32-RH-TP

COEFFICIENTS OF UTILIZATION

ZONAL CAVITY METHOD

EFFECTIVE FLOOR CAVITY REFLECTANCE = .20

CC WALL	80	70	50	30	10	0
70	50	30	10	50	30	10
50	30	10	50	30	10	50
30	10	50	30	10	50	30
10	50	30	10	50	30	10
0	50	30	10	50	30	10

RCR

0	.59	.59	.59	.59	.58	.58	.58	.58	.55	.55	.55	.53	.53	.53	.51	.51	.51	.50
1	.55	.53	.51	.49	.54	.52	.50	.49	.50	.48	.47	.48	.47	.46	.46	.45	.44	.43
2	.51	.47	.44	.41	.49	.46	.43	.41	.44	.42	.40	.43	.41	.39	.41	.40	.38	.37
3	.47	.42	.38	.35	.45	.41	.38	.35	.40	.37	.35	.38	.36	.34	.37	.35	.33	.32
4	.43	.37	.33	.30	.42	.37	.33	.30	.36	.32	.30	.34	.32	.29	.33	.31	.29	.28
5	.39	.33	.29	.26	.38	.33	.29	.26	.32	.28	.26	.31	.28	.25	.30	.27	.25	.24
6	.36	.30	.26	.23	.35	.29	.25	.23	.29	.25	.22	.28	.25	.22	.27	.24	.22	.21
7	.33	.27	.23	.20	.33	.27	.23	.20	.26	.22	.20	.25	.22	.19	.24	.22	.19	.18
8	.31	.24	.20	.17	.30	.24	.20	.17	.23	.20	.17	.23	.19	.17	.22	.19	.17	.16
9	.28	.22	.18	.15	.28	.21	.18	.15	.21	.17	.15	.20	.17	.15	.20	.17	.15	.14
10	.26	.20	.16	.13	.26	.19	.16	.13	.19	.15	.13	.19	.15	.13	.18	.15	.13	.12

DETERMINED IN ACCORDANCE WITH CURRENT IES PUBLISHED PROCEDURES
LUMINAIRE INPUT WATTS = 54.5
LABORATORY RESULT MAY NOT BE REPRESENTATIVE OF FIELD PERFORMANCE.
BALLAST FACTORS HAVE NOT BEEN APPLIED.

Ordering Information

Explanation of Catalog Number. Example: QVS1GPFOS232120S0

QVS	1	G			2	32			
QUALITY VISUAL STATIC Recessed direct indirect soft light optical system	FIXTURE WIDTH: 1'	CEILING TYPE: Standard exposed T-grid ceilings	LAMP SHIELD: PF = Microperforated SD = Solid	CLEAR POLISHED ACRYLIC DROP DOWN VISUAL ELEMENT: OS = Open slot (no acrylic) GC = Clear acrylic GG = Clear acrylic / Green projected color face GB = Clear acrylic / Blue projected color face GR = Clear acrylic / Red projected color face	LAMP QUANTITY	LAMP/FIXTURE LENGTH: (NOMINAL 48") 32 = 32WT8	VOLTAGE: 120V 277V 347V	BALLAST: OC = Magnetic T8 SO = Electronic T8 instant start SR = Electronic T8 rapid start PS = PowerSpec	OPTIONS: R = Radio Interference Filter O = Emergency Lighting System (for Canada) N = Emergency Lighting System (for U.S.)

Specifications

MATERIALS: One piece chassis constructed from die formed 20 gauge cold rolled steel. Reflectors - 95% reflectance baked white acrylic matte paint finish. Specular interior reflector (only with solid shield). Soft white acrylic film on inside of lamp shield conceals lamp image.

FINISH: Chassis exterior - phosphate undercoating, baked white acrylic matte high reflectance paint finish.

ELECTRICAL: Rapid start HPF, thermally protected class "P" ballast. If K.O.s are within 3" of ballast use wire suitable for at least 90C.

LABELS: Listed by



Job Information

Type:

Lightolier a Genlyte Thomas Company www.lightolier.com
Technical Information: (978) 657-7600 • Fax (978) 658-0595
631 Airport Road, Fall River, MA 02720 • (508) 679-8131 • Fax (508) 674-4710
We reserve the right to change details of design, materials and finish.
© 2002 Genlyte Thomas Group LLC (Lightolier Division)
A0902 **Section 5 / Folio L20-30**

LIGHTOLIER