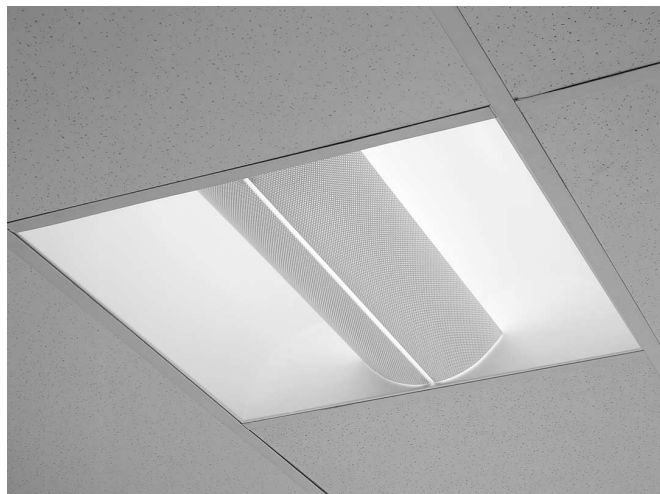


ALTER SOFT LIGHTS QVS2GPFOS1FT

2'x2' RECESSED DIRECT/INDIRECT FLUORESCENT
1 LAMP, TT5 BI-TUBE, 5 1/2" DEEP
MICROPERFORATED MESH LAMP SHIELD, STATIC

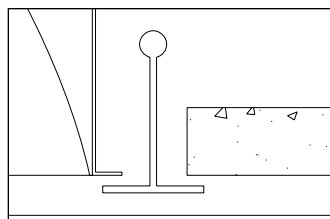
Features

- Efficiency 53.1%.
- Dual swing down microperforated lamp shields separated by luminous strip for easy relamping and maintenance.
- Alter soft white film on inside of mesh conceals lamp image providing balance between reflected and direct light.
- Fully recessed luminaire.
- 95% Reflective Alter soft white paint finish.
- Specular interior reflector.
- One piece body for easy installation.
- Exclusive socket locks lamp into place.
- Easy access to ballast through lamp compartment.
- Fits standard T-Grid ceilings.
- Optional acrylic drop-down visual element.

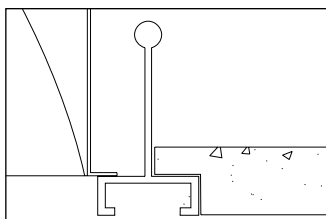


Mounting Methods / Features

Ceiling compatibility



Suited to standard exposed T-grid ceilings

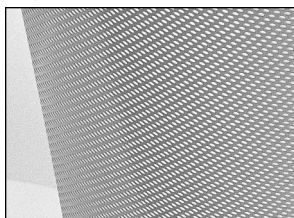


Suited to standard exposed Slot T-grid ceilings

Swing down optical system for easy relamping and maintenance



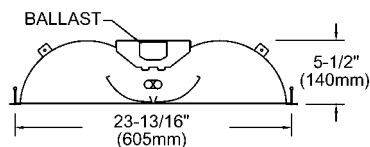
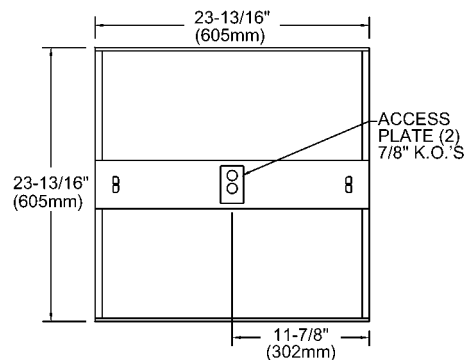
Microperforated mesh lamp shields



Also available with solid opaque swing-down lamp shield



Dimensions



Job Information

Type:

Job Name:

Cat. No.:

Lamp(s):

Volts/Ballast:

Lightolier a Genlyte Thomas Company

www.lightolier.com

Technical Information: (978) 657-7600 • Fax (978) 658-0595

631 Airport Road, Fall River, MA 02720 • (508) 679-8131 • Fax (508) 674-4710

We reserve the right to change details of design, materials and finish.

© 2002 Genlyte Thomas Group LLC (Lightolier Division)

A0902

Section 5 / Folio L10-35

LIGHTOLIER®

ALTER SOFT LIGHTS QVS2GPFOS1FT

2'x2' RECESSED DIRECT/INDIRECT FLUORESCENT
1 LAMP, TT5 BI-TUBE, 5 1/2" DEEP
MICROPERFORATED MESH LAMP SHIELD, STATIC

Photometry

LEC LIGHTING SCIENCES CANADA LTD.
440 Phillip St. Unit 19, Waterloo, Ont. Canada N2L 5R9
Tel: (519) 748-3140 Fax: (519) 746-3156

CERTIFIED TEST REPORT NO. LSC7136
COMPUTED BY LSC PROGRAM **TEST-LITE**

CFI ALTER 2x2 RECESSED INDIRECT FIXTURE CAT. NO. QVS2GPFOS1U4120SB
WITH WHITE PAINTED INTERIOR AND PERFORATED LAMP SHIELDS WITH TRANSLUCENT LENSES
ONE 40W PL-L COMPACT FLUORESCENT LAMP. LUMEN RATING = 3150 LMS.
ROBERTSON 120V 1-LAMP MAGNETIC BALLAST NO. RERL178-120

CANDLEPOWER SUMMARY

ANGLE ALONG	22.5	45	67.5	ACROSS
0	590	590	590	590
5	588	588	589	588
10	578	580	581	582
15	562	566	569	573
20	545	547	553	558
25	517	524	532	541
30	488	494	508	518
35	454	464	478	489
40	418	427	443	454
45	375	387	406	418
50	329	347	361	376
55	282	297	315	327
60	233	249	267	276
65	186	198	213	220
70	139	148	156	165
75	96	98	92	86
80	53	50	43	48
85	16	15	18	16
90	0	0	0	0

OUTPUT LUMENS

ANGLE ALONG	22.5	45	67.5	ACROSS
0	590	590	590	590
5	588	588	589	588
10	578	580	581	582
15	562	566	569	573
20	545	547	553	558
25	517	524	532	541
30	488	494	508	518
35	454	464	478	489
40	418	427	443	454
45	375	387	406	418
50	329	347	361	376
55	282	297	315	327
60	233	249	267	276
65	186	198	213	220
70	139	148	156	165
75	96	98	92	86
80	53	50	43	48
85	16	15	18	16
90	0	0	0	0

ZONAL LUMENS AND PERCENTAGES

ZONE	LUMENS	% LAMP	% LAMINAIRE
0-30	462	14.67	27.63
0-40	759	24.11	45.42
0-60	1348	42.83	80.66
0-90	1672	53.09	100.00
40-90	912	28.98	54.58
60-90	323	10.27	19.34
90-180	0	0.00	0.00
0-180	1672	53.09	100.00

LUMINANCE SUMMARY-CD. / SQ. M.

ANGLE ALONG	45	ACROSS
45	1553	1689
55	1439	1616
65	1286	1483
75	1082	1040
85	522	593

PAINT REFLECTANCE = .91 S/MH = 1.3
SC(ALONG) = 1.2, SC(ACROSS) = 1.3

CERTIFIED BY: *Charles Swann* DATE: NOV 6, 1997
PREPARED FOR: CANADIAN FLUORESCENT INDUSTRIES
CORNWALL, ONTARIO

TESTED ACCORDING TO IES PROCEDURES. TEST DISTANCE EXCEEDS FIVE TIMES THE GREATEST LUMINOUS OPENING OF LUMINAIRE.

LIGHTING SCIENCES CANADA LTD.
440 PHILLIP ST. UNIT 19
WATERLOO, ONTARIO CANADA N2L 5R9

CERTIFIED TEST REPORT NO. LSC7136
COMPUTED BY LSC PROGRAM **TEST-LITE**

CFI ALTER 2x2 RECESSED INDIRECT FIXTURE CAT. NO. QVS2GPFOS1U4120SB
WITH WHITE PAINTED INTERIOR AND PERFORATED LAMP SHIELDS WITH TRANSLUCENT LENSES
ONE 40W PL-L COMPACT FLUORESCENT LAMP. LUMEN RATING = 3150 LMS.
ROBERTSON 120V 1-LAMP MAGNETIC BALLAST NO. RERL178-120

COEFFICIENTS OF UTILIZATION

ZONAL CAVITY METHOD

EFFECTIVE FLOOR CAVITY REFLECTANCE = .20

CC WALL	80	70	50	30	10	0
0	.63	.63	.63	.63	.62	.62
1	.58	.56	.54	.52	.57	.55
2	.54	.50	.46	.44	.52	.49
3	.49	.44	.40	.37	.48	.43
4	.45	.39	.35	.32	.44	.39
5	.42	.35	.31	.27	.40	.35
6	.38	.32	.27	.24	.37	.31
7	.35	.28	.24	.21	.34	.28
8	.33	.26	.21	.18	.32	.25
9	.30	.23	.19	.16	.29	.23
10	.28	.21	.17	.14	.27	.21

DETERMINED IN ACCORDANCE WITH CURRENT IES PUBLISHED PROCEDURES
LABORATORY RESULT MAY NOT BE REPRESENTATIVE OF FIELD PERFORMANCE.
BALLAST FACTORS HAVE NOT BEEN APPLIED.

Ordering Information

Explanation of Catalog Number. Example: QVS2GPFOS1FT120SB

QVS	2	G		1	FT			
QUALITY VISUAL STATIC Recessed direct indirect soft light optical system	FIXTURE WIDTH: 2'	CEILING TYPE: Standard exposed T-grid ceilings	LAMP SHIELD: PF = Microperforated SD = Solid	LAMP QUANTITY	LAMP/FIXTURE LENGTH: (NOMINAL 24") FT = TT5 Bi-Tube	VOLTAGE: 120V 277V 347V	BALLAST: BE = 50W Electronic TT5 RS BR = 40W Electronic TT5 RS BX = 40W Magnetic TT5 RS PB = 40W TT5 PowerSpec Dimming* PC = 50/55W TT5 PowerSpec Dimming* SB = 40W Generic Electronic TT5	OPTIONS: R = Radio Interference Filter O = Emergency Lighting System (for Canada) N = Emergency Lighting System (for U.S.)

*Not available in 347V.

CLEAR POLISHED ACRYLIC DROP DOWN VISUAL ELEMENT:
OS = Open slot (no acrylic)
OP = One Piece (no center slot)
GC = Clear acrylic
GG = Clear acrylic / Green projected color face
GB = Clear acrylic / Blue projected color face
GR = Clear acrylic / Red projected color face

Specifications

MATERIALS: One piece chassis constructed from die formed 20 gauge cold rolled steel. Reflectors - 95% reflectance baked white acrylic matte paint finish. Specular interior reflector. Soft white acrylic film on inside of lamp shield conceals lamp image.

FINISH: Chassis exterior - phosphate undercoating, baked white acrylic matte high reflectance paint finish.

ELECTRICAL: Rapid start HPF, thermally protected class "P" ballast (Bi-tube type). If K.O.s are within 3" of ballast use wire suitable for at least 90C.

LABELS: Listed by



Job Information **Type:**

Lightolier a Genlyte Thomas Company www.lightolier.com
Technical Information: (978) 657-7600 • Fax (978) 658-0595
631 Airport Road, Fall River, MA 02720 • (508) 679-8131 • Fax (508) 674-4710
We reserve the right to change details of design, materials and finish.
© 2002 Genlyte Thomas Group LLC (Lightolier Division)
A0902 **Section 5 / Folio L10-35**

LIGHTOLIER