

ALTER HIGH EFFICIENCY QHE2GPFOP224 OR 334

2' X 2' RECESSED DIRECT/INDIRECT FLUORESCENT 2 OR 3 LAMP, T5
5-1/2" DEEP MICROPERFORATED MESH LAMP SHIELD, STATIC

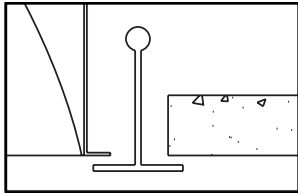
Features

- Efficiency 68.6% (2 lamp T5H0).
- Swing down microperforated lamp shield for easy relamping and maintenance.
- Alter soft white film on inside of mesh conceals lamp image and provide balance between reflected light and direct light.
- Fully recessed luminaire and lamp compartment.
- 95% Reflective Alter soft white paint finish.
- Specular interior reflector.
- One piece body for easy installation.
- Exclusive socket locks lamp into place.
- Easy access to ballast through lamp compartment.
- Fits standard T-Grid ceilings.

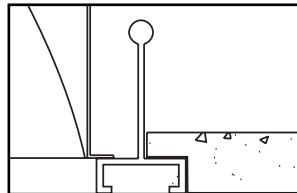


Mounting Methods / Features

Ceiling compatibility

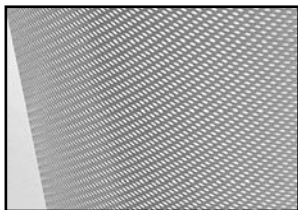


Suited to standard exposed T-grid ceilings

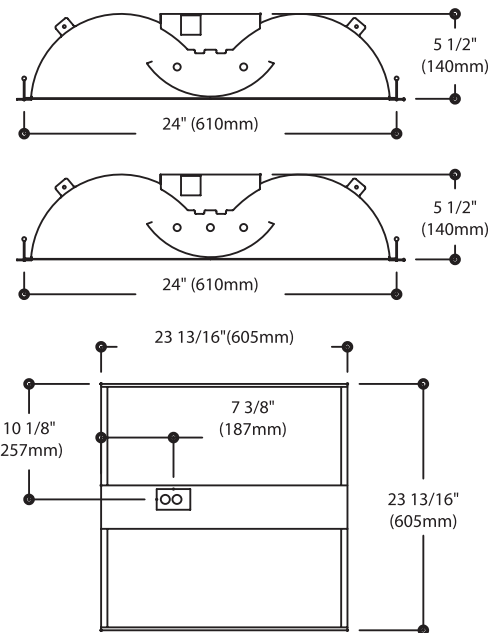


Suited to standard exposed Slot T-grid ceilings

Microperforated mesh lamp shield



Dimensions



Job Information

Type:

Job Name:

Cat. No.:

Lamp(s):

Volts/Ballast:

Lightolier a Genlyte Thomas Company

Technical Information: (978) 657-7600 – (978) 658-0595

631 Airport Road, Fall River, MA 02720 – (508) 679-8131

C.F.I. Division of Canlyte, Inc.

525 Education Road, Cornwall, Ontario, Canada K6H 6C7 – (613) 938-6221

We reserve the right to change details of design, materials and finish.

© 2004 Genlyte Thomas Group LLC (Lightolier Division)

A0902

Section 5 / Folio L10-27

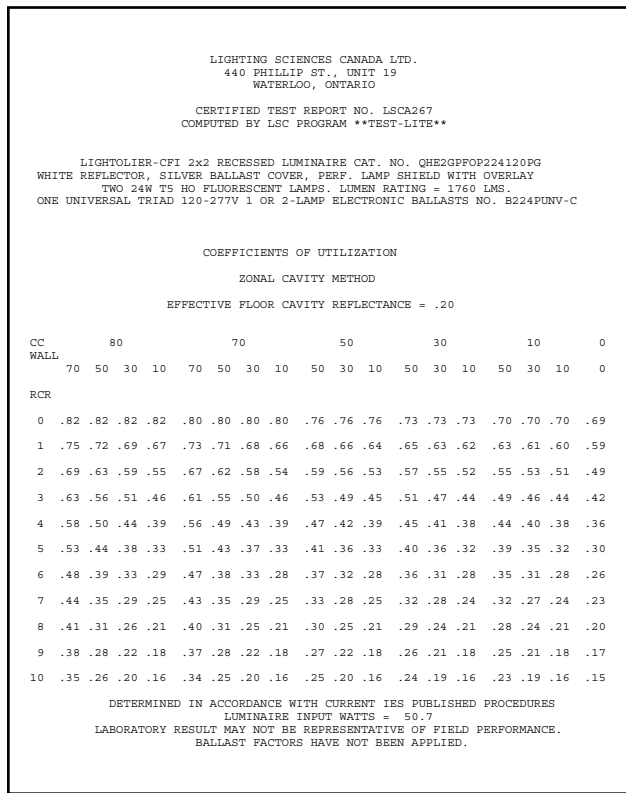
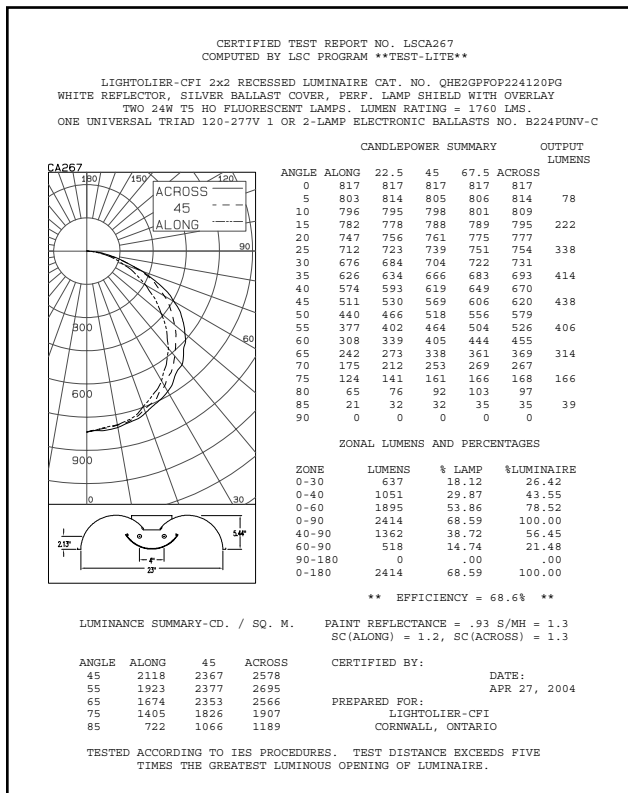
LIGHTOLIER®

ALTER HIGH EFFICIENCY QHE2GPFOP224 OR 334

2' X 2' RECESSED DIRECT/INDIRECT FLUORESCENT 2 OR 3 LAMP, T5
5-1/2" DEEP MICROPERFORATED MESH LAMP SHIELD, STATIC

Photometry

Model No. : QHE2GPFOP224120PG



Ordering Information Explanation of Catalogue Number Example: QHE2GPFOP224120PG

QHE QUALITY HIGH EFFICIENCY Recessed direct indirect soft light high efficiency optical system	2 FIXTURE WIDTH 2'	G CEILING TYPE Standard exposed T-grid ceilings	OP LAMP SHIELD PF = Microperforated LAMP SHIELD DETAIL OP = One piece (no center slot)	2 LAMP QUANTITY 2 3	24 LAMP/FIXTURE LENGTH (NOMINAL 20") 14 = 14W T5 24 = 24W T5HO	VOLTAGE 120V 277V 347V	BALLAST PG = Electronic linear T5, Pro S	OPTIONS R = Radio Interference Filter O = Emergency Lighting System (for Canada) N = Emergency Lighting System (for U.S.)
---	---------------------------------	--	---	-------------------------------------	--	--	--	---

SPECIFICATIONS

MATERIALS: One piece chassis constructed from die formed 20 gauge cold rolled steele. Reflectors – 95% reflectance baked white acrylic matte paint finish. Specular aluminum interior reflector. Soft white acrylic film on inside of lamp shield conceals lamp image.

FINISH: Chassis exterior – phosphate undercoating, baked white acrylic matte paint finish.

ELECTRICAL: Rapid start HPF, thermally protected class “P” ballast (Bi-tube type). If K.Os are within 3” of ballast use wire suitable for at least 90C.

LABELS: Listed by CSA, UL

Job Information

Type:

Lightolier a Genlyte Thomas Company

Technical Information: (978) 657-7600 – (978) 658-0595

631 Airport Road, Fall River, MA 02720 – (508) 679-8131

C.F.I. Division of Canlyte, Inc.

525 Education Road, Cornwall, Ontario, Canada K6H 6C7 – (613) 938-6221

We reserve the right to change details of design, materials and finish.

© 2004 Genlyte Thomas Group LLC (Lightolier Division)

A0902

Section 5 / Folio L10-27

LIGHTOLIER®