

READ AND UNDERSTAND THESE INSTRUCTIONS BEFORE INSTALLING FIXTURE

This fixture is intended for installation in accordance with the National Electrical Code and local regulations. To assure full compliance with local codes and regulations, check with your local electrical inspector before installation. To prevent electrical shock, turn off electricity at fuse box before proceeding.

Retain these instructions for maintenance reference.

INSTRUCTION SHEET NO.

IS:DR2PS

0404

PAGE 1 OF 1

INSTRUCTIONS FOR ATTACHING ProSpec™ ADAPTER TO ProSpec™ TRACK
For use with ProSpecTrack Systems Only

INSTRUCTIONS FOR ATTACHING ADAPTER TO ProSpec TWO CIRCUIT TRACK

1. Select the CIRCUIT in ProSpec™ TRACK you want the ProSpec SPOT to be powered with (Fig. A) by orienting the LEVER towards the side of the track of the selected CIRCUIT. (Fig. B)
2. With the CLAMPING TABS in the down position, insert ADAPTER into ProSpec TRACK and flip the CLAMPING TABS up to secure the ADAPTER. (Fig. C)
3. To energize FIXTURE, turn LEVER all the way until LEVER is parallel to ProSpec TRACK. (Fig. D)
4. To remove FIXTURE, reverse procedure in Step 3 then flip down CLAMPING TABS and pull FIXTURE out of ProSpec TRACK.
DO NOT ATTEMPT TO RELEASE CLAMPING TABS before disconnecting power with LEVER.
NEVER PLACE FINGERS ABOVE THE BARRIERS ON THE CLAMPING TABS WHEN INSTALLING OR REMOVING FIXTURE.
5. To change FIXTURE to second circuit, remove FIXTURE as indicated in Step 4, then turn FIXTURE around 180° until LEVER is pointing to the other side of ProSpec TRACK and installed as indicated in Step 2.

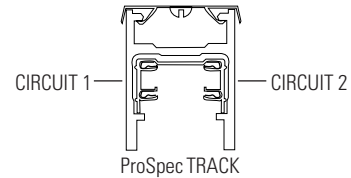


Fig. A

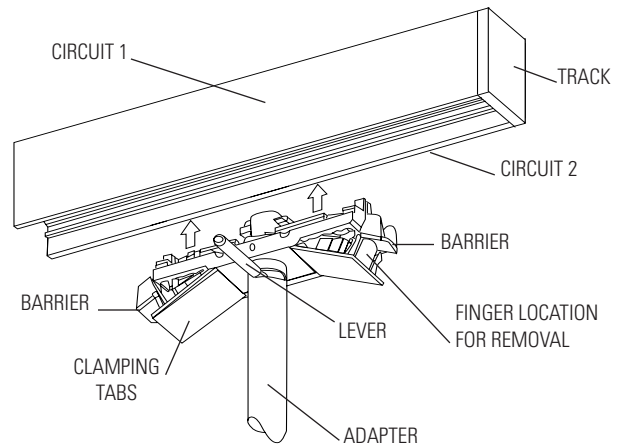


Fig. B

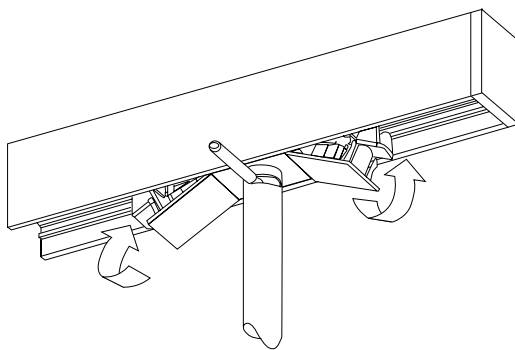


Fig. C

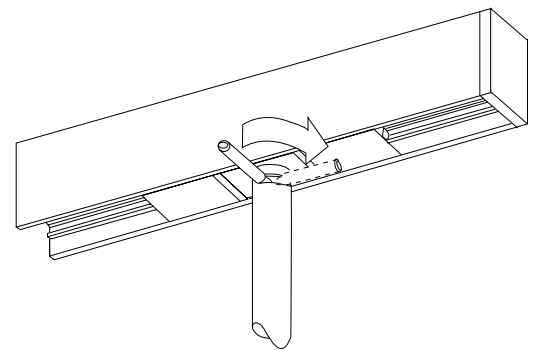


Fig. D

LIGHTOLIER®

FALL RIVER, MASSACHUSETTS, 02720
MONTREAL, QUEBEC, CANADA