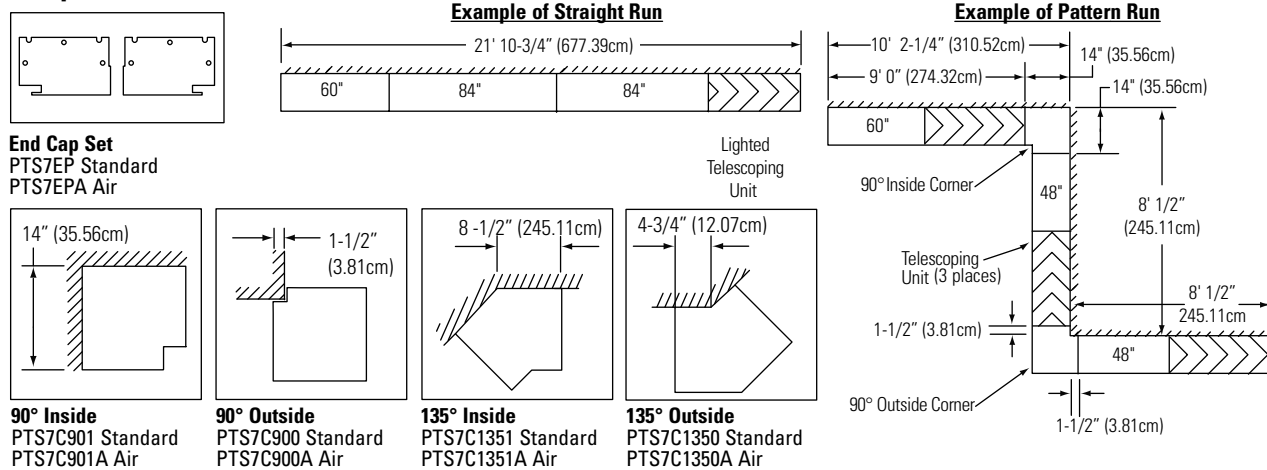


Complete ordering instructions on back.

Sample Run, End Plate and Corner Block Accessories



Features

- Housing:** Die-formed steel, slotted for air return. Integral flanges at each end strengthen the housing and permit housings to be bolted together in continuous runs and facilitate suspension of fixture. Concealed openings for heat extraction and air return.
- Lamping:** One T8 or T12 fluorescent lamp, as specified. Provided by others.
- Reflector:** Die-formed semi-specular aluminum.
- Louver:** Semi-specular anodized aluminum, 40° lengthwise by 30° minimum crosswise shielding. Supported along both edges by concealed frame of extruded aluminum. Bold baffle, prismatic lens, gold anodized louver, open or egg crate louver available, consult factory.
- Socket Channels:** Die-formed, pre-painted steel held by support brackets and allows for up to 6" (15.24cm) lamp overlap.
- Ceiling Trim:** Extruded aluminum with integral aligner splines.
- Air Supply Channel:** For air supply or ducted air return. Ducted air return requires Anemostat #PRTS or equivalent (by others).

Electrical

Specify 120 volt or 277 volt. 3 conductor, 18 gauge wire. Color-coded quick connectors allow ease of connection for joiner modules. For special circuiting, consult factory. Factory installed ballast disconnect allows the ballast to be disconnected from and reconnected to incoming power under load without turning the entire circuit off.

Dimming: Advance Mark X, use Advance compatible two-wire control (no extra control lead required).

Mountings

Wall Adjustment Bracket - Allows for inconsistencies in wall straightness. Die-formed steel used to mount system to the wall.

Finish

Ceiling trim painted baked enamel semi-gloss white.

Options and Accessories

90° inside, 90° outside, 135° inside, and 135° outside corners available.

Labels

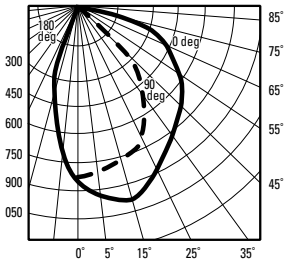
UL, cUL and I.B.E.W.

Job Information	Type:
Job Name:	
Cat. No.:	
Lamp(s):	
Notes:	

631 Airport Road, Fall River, MA 02720 • (508) 679-8131 • Fax (508) 674-4710
 We reserve the right to change details of design, materials and finish.
 www.lightolier.com © 2008 Philips Group • B0908

Performance

CANDLEPOWER CURVE



REPORT NO: LRL 499-5D
LAMPS: 1-F032T8
EFFICIENCY: 46.7%

ZONE Deg	CANDLEPOWER SUMMARY				
	0	45	90	135	180
180	0	0	0	0	0
175	0	0	0	0	0
165	0	0	0	0	0
155	0	0	0	0	0
145	0	0	0	0	0
135	0	0	0	0	0
125	0	0	0	0	0
115	0	0	0	0	0
105	0	0	0	0	0
95	0	0	0	0	0
90	0	0	0	0	0
85	39	15	2	2	2
75	153	90	5	3	3
65	440	120	13	8	9
55	560	338	79	34	14
45	669	532	288	64	32
35	754	705	512	103	55
25	885	833	677	225	104
15	969	949	778	386	285
5	950	920	837	704	620
0	833	833	833	833	833

COEFFICIENTS OF UTILIZATION

ROOM CAVITY RATIO	% EFFECTIVE CEILING CAVITY REFLECTANCE								
	% WALL REFLECTANCE								
	80			70			50		
	50	30	10	50	30	10	50	30	10
0	56	56	56	54	54	54	52	52	52
1	50	49	47	49	48	46	47	46	45
2	45	43	41	44	42	40	43	41	39
3	41	38	35	40	37	35	39	36	34
4	37	34	31	36	33	31	35	33	30
5	33	30	27	33	30	27	32	29	27
6	30	27	24	30	27	24	29	26	24
7	28	24	21	27	24	21	27	24	21
8	25	21	19	25	21	19	24	21	19
9	23	19	17	22	19	17	22	19	17
10	21	17	15	21	17	15	20	17	15

ZONAL LUMEN SUMMARY

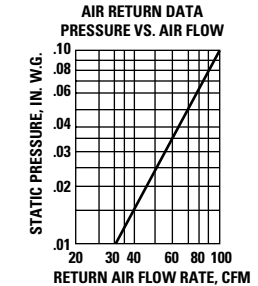
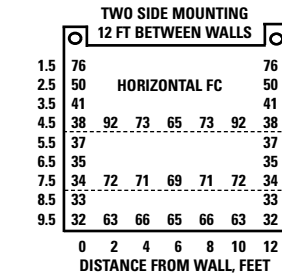
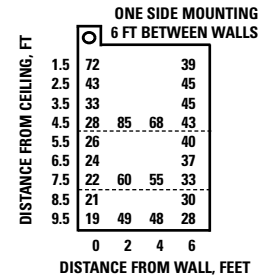
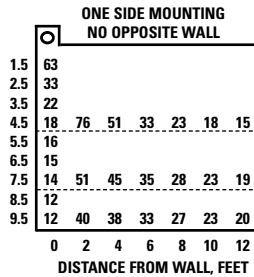
ZONE	LUMENS	% BARELAMP	% LUMINAIRE
0-90	1354	46.7	100.0
90-180	0	0.0	0.0
0-180	1354	46.7	100.0

Ordering Information

ONE LIGHT

Cat No.	PTS7T148A	PTS7184A	PTS7160A	PTS7148A	PTS7136A	PTS7124A
Size	27" to 48"	84"	60"	48"	36"	24"
Lamps	1-4 Foot	2-4 Foot	2-3 Foot	1-4 Foot	1-3 Foot	1-2 Foot
Type	Tele	Module	Module	Module	Module	Module
4'3"-6'0"	1					1
5'3"-7'0"	1				1	
6'3"-8'0"	1			1		
7'3"-9'0"	1		1			
8'3"-10'0"	1			1		1
9'3"-11'0"	1	1				
10'3"-12'0"	1		1		1	
11'3"-13'0"	1	1				1
12'3"-14'0"	1	1			1	
13'3"-15'0"	1	1		1		
14'3"-16'0"	1	1	1			
15'3"-17'0"	1	1		1		1
16'3"-18'0"	1	2				
17'3"-19'0"	1	1	1		1	
18'3"-20'0"	1	2				1
19'3"-21'0"	1	2			1	
20'3"-22'0"	1	2		1		
21'3"-23'0"	1	2	1			
22'3"-24'0"	1	2		1		1
23'3"-25'0"	1	3				
24'3"-26'0"	1	2	1		1	
25'3"-27'0"	1	3				1
26'3"-28'0"	1	3			1	
27'3"-29'0"	1	3		1		
28'3"-30'0"	1	3	1			
29'3"-31'0"	1	3		1		1
30'3"-32'0"	1	4				
31'3"-33'0"	1	3	1		1	
32'3"-34'0"	1	4				1
33'3"-35'0"	1	4			1	
34'3"-36'0"	1	4		1		
35'3"-37'0"	1	4	1			
36'3"-38'0"	1	4		1		1
37'3"-39'0"	1	5				
38'3"-40'0"	1	4	1		1	
39'3"-41'0"	1	5				1
40'3"-42'0"	1	5			1	
41'3"-43'0"	1	5		1		
42'3"-44'0"	1	5	1			
43'3"-45'0"	1	5		1		1
44'3"-46'0"	1	6				
45'3"-47'0"	1	5	1		1	
46'3"-48'0"	1	6				1
47'3"-49'0"	1	6			1	
48'3"-50'0"	1	6		1		
49'3"-51'0"	1	6	1			1
50'3"-52'0"	1	6			1	
51'3"-53'0"	1	7				
52'3"-54'0"	1	6	1		1	

Quick Calculators



Ordering Instructions

Individual Fixtures:

- Order number of FIXTURES.
- Order one END PLATE SET per fixture.

Continuous Rows:

- Determine run length.
- Use chart above to find catalog numbers. Each run ends with a telescoping unit.
- Order END PLATE SET for each open run.

Square/Rectangle Patterns:

- Consult plans and mark locations for corners.
- Calculate net footage of each run.
- Deduct corner dimension from each corner.
- Determine catalog numbers the same way as a straight run.

NOTE: Add to end of catalog number for desired ballast.

- Blank** = T12 Magnetic 120v
- 2** = T12 Magnetic 277v
- E1** = T12 Electronic 120v
- E2** = T12 Electronic 277v
- E81** = T8 Electronic 120v
- E82** = T8 Electronic 277v
- M71** = T8 Electronic Dimming Ballast 120v
- M72** = T8 Electronic Dimming Ballast 277v

Job Information Type:

631 Airport Road, Fall River, MA 02720 • (508) 679-8131 • Fax (508) 674-4710
We reserve the right to change details of design, materials and finish.
www.lightolier.com © 2008 Philips Group • B0908