

READ AND UNDERSTAND ALL TRACK, CONNECTOR, FEED-IN-KITS, AND ACCESSORY INSTRUCTION SHEETS BEFORE INSTALLING ANY TRACK ITEM

This fixture is intended for installation in accordance with the National Electrical Code and local or Federal regulations. To assure full compliance with codes and regulations, check with your local electrical inspector before installation. To prevent electrical shock, turn off electricity at fuse box before proceeding.

Retain these instructions for maintenance reference.

INSTRUCTION SHEET NO.

IS:26096

0597

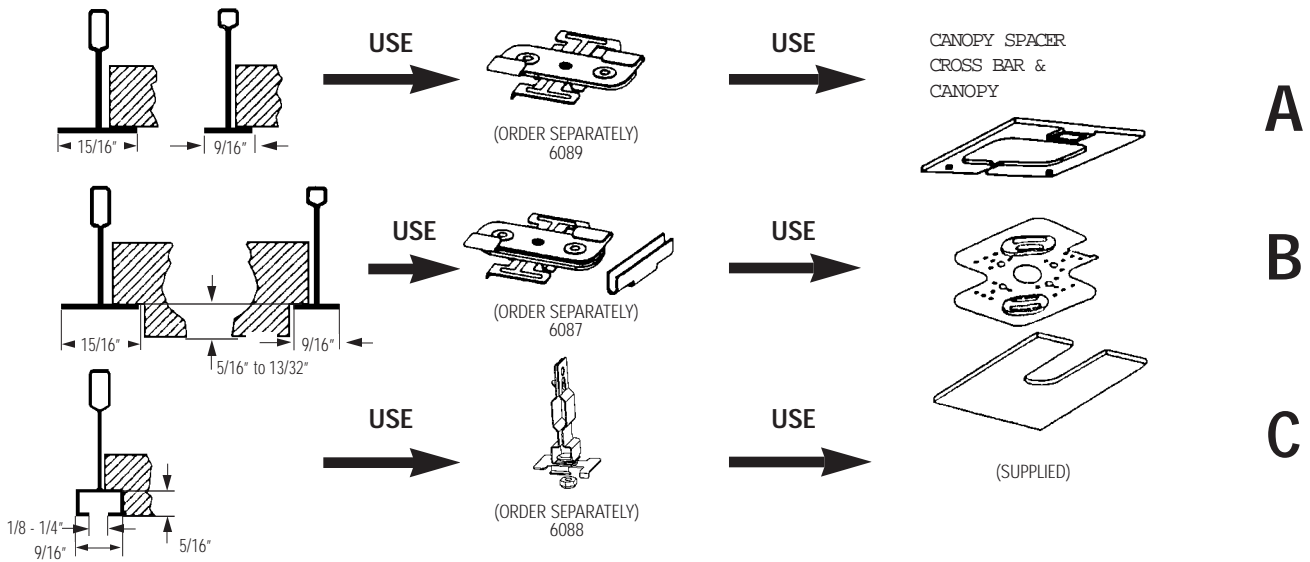
Page 1 of 3

**GRID CEILING CANOPY KIT AND GRID CEILING MOUNTING CLIPS
FOR USE WITH PROSPEC® TRACK SYSTEMS ONLY**

CEILING & CEILING PANEL TYPE

GRID CEILING MOUNTING CLIP

INSTRUCTIONS



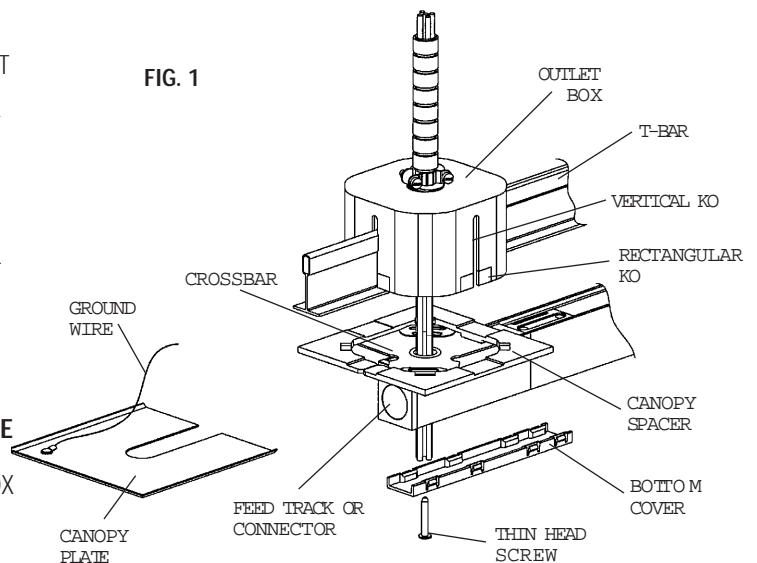
CAUTION:

- **TURN OFF POWER AT FUSE BOX BEFORE INSTALLING TRACK.**
- **DO NOT MAKE ELECTRICAL SPLICES IN OUTLET BOX OF GRID CEILING CANOPY KIT.**
- **USE SOLID 12 AWG WIRES FOR SUPPLY TO TRACK (NOT STRANDED).**
- **INSTRUCTIONS FOR GROUNDING MUST BE FOLLOWED. FAILURE TO DO SO MAY RESULT IN AN ELECTRICAL HAZARD.**

A. INSTRUCTIONS

1. Remove appropriate VERTICAL K.O.'s for T-BAR from OUTLET BOX. DO NOT REMOVE ANY RECTANGULAR K.O.'s. (Fig. 1)
2. Attach a bare or green color insulated 12 AWG solid copper GROUND WIRE approximately 8" long to the OUTLET BOX using the GROUND CLIP (supplied). Position GROUND CLIP as shown in Fig. 2. Bend wire so unattached end is pointing away from the OUTLET BOX. (Fig. 3).
3. Remove K.O. from top of OUTLET BOX and fasten an electrical connector (by others).
4. Place OUTLET BOX on T-BAR(s). If OUTLET BOX does not fit over the BULB of the T-BAR(s), flatten the BULB with a pair of pliers.
5. Pass SUPPLY LEADS through electrical connector leaving approximately 8" of wire beyond the box. **WIRES MUST BE DRESSED AS SHOWN.** (Fig. 4)
6. Fasten 12 AWG solid SUPPLY GROUND WIRE to OUTLET BOX using a GROUND CLIP (supplied). Position 180° from other GROUND CLIP. (Fig. 2)

FIG. 1



LIGHTOLIER®

LIGHTOLIER a GENLYTE company.

631 Airport Road, Fall River, MA 02720

READ AND UNDERSTAND ALL TRACK, CONNECTOR, FEED-IN-KITS, AND ACCESSORY INSTRUCTION SHEETS BEFORE INSTALLING ANY TRACK ITEM

This fixture is intended for installation in accordance with the National Electrical Code and local or Federal regulations. To assure full compliance with codes and regulations, check with your local electrical inspector before installation. To prevent electrical shock, turn off electricity at fuse box before proceeding.

Retain these instructions for maintenance reference.

INSTRUCTION SHEET NO.

IS:26096

0597

Page 2 of 3

7. Rotate GRID CEILING MOUNTING CLIPS onto the T-BAR. (Fig. 3) Use 2 GRID CEILING MOUNTING CLIPS for a 2' or 4' TRACK UNIT, 3 for an 8' TRACK UNIT, and 4 for a 12' TRACK UNIT. DO NOT EXCEED 4' BETWEEN T-BAR MOUNTING CLIPS. Use more CLIPS for additional support in heavily loaded applications.
8. Remove BOTTOM COVER from FEED TRACK or CONNECTOR.
9. Remove the KNOCK OUT PLATE from the FEED TRACK or CONNECTOR (retain the SCREW). (Fig. 5)
10. Break the proper TAB from the PLATE ASSEMBLY:
 - **FEED TRACK:** DO NOT BREAK ANY TAB. (Fig. 5)
 - **POWER EXTENSION, IN-LINE, "T", AND "X" CONNECTORS:** BREAK THE 90° TAB OFF THE PLATE ASSEMBLY. (Fig. 6)
 - **"L" CONNECTOR:** BREAK THE 90° TAB AND STRAIGHT TAB FROM THE PLATE ASSEMBLY. (Fig. 7)
11. Attach the PLATE ASSEMBLY onto the FEED TRACK or CONNECTOR using the SCREW. (Fig. 5 & 6)
12. Place the CANOPY SPACER on the PLATE ASSEMBLY.
13. Align the PLATE ASSEMBLY with the OUTLET BOX passing the wires through the center hole in the PLATE ASSEMBLY.
14. Secure the TRACK to the surface by rotating the MOUNTING CLIPS into the TRACK.
15. Rotate the CROSS BAR until the SLOTS are in-line with the OUTLET BOX MOUNTING HOLES.

NOTE: THE CROSS BAR MUST COVER THE SLOT IN THE CANOPY PLATE AFTER THE CANOPY PLATE IS ASSEMBLED. PLEASE CHECK BEFORE SECURING THE PLATE ASSEMBLY TO THE OUTLET BOX.

 Secure the PLATE ASSEMBLY to the OUTLET BOX using the THIN HEAD SCREWS.
16. Attach the GROUND WIRE on the CANOPY PLATE to the OUTLET BOX. Slide the CANOPY PLATE between the CROSS BAR and FEED TRACK or CONNECTOR.
17. Wire the TRACK or CONNECTOR as shown in instruction sheets IS:26000, IS:26046, or IS:26050 which are included in the TRACK and CONNECTOR packages.
18. Snap the BOTTOM COVER into the TRACK or CONNECTOR to cover the wire terminals.

FIG. 2

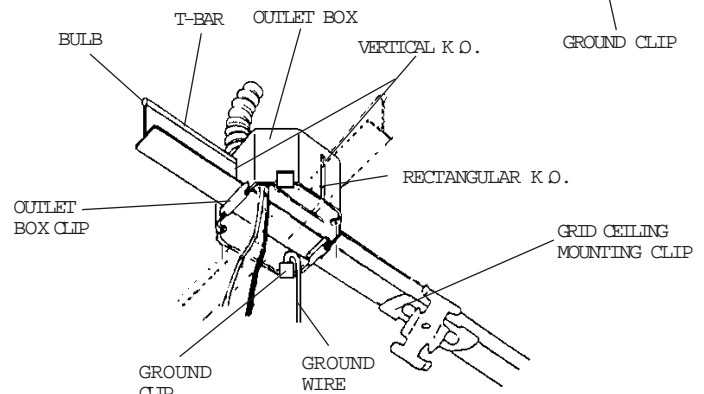
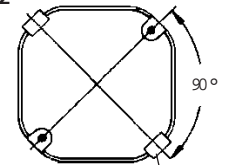


FIG. 3

FIG. 4

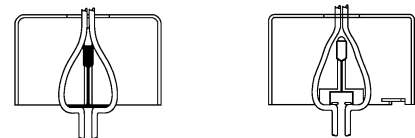


FIG. 5

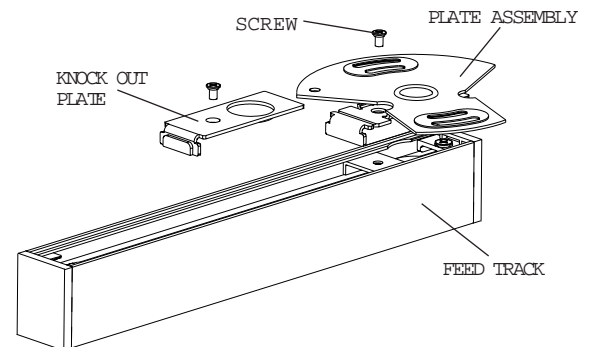


FIG. 6

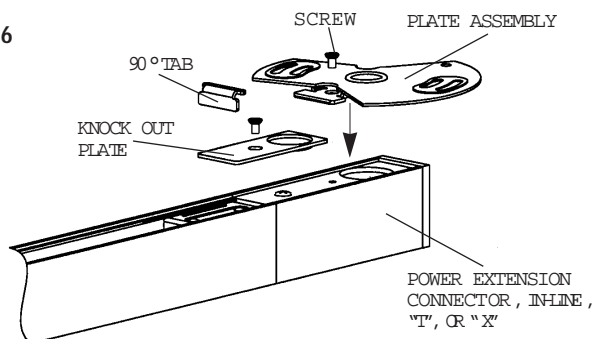
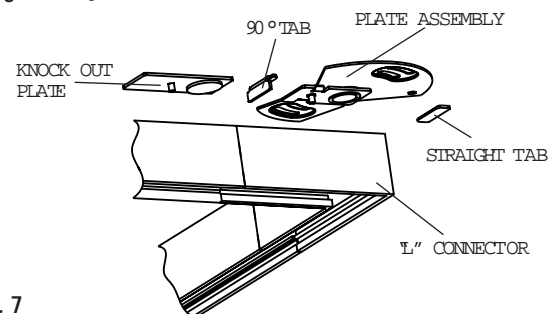


FIG. 7



LIGHTOLIER®

LIGHTOLIER a GENLYTE company.

631 Airport Road, Fall River, MA 02720

READ AND UNDERSTAND ALL TRACK, CONNECTOR, FEED-IN-KITS, AND ACCESSORY INSTRUCTION SHEETS BEFORE INSTALLING ANY TRACK ITEM

This fixture is intended for installation in accordance with the National Electrical Code and local or Federal regulations. To assure full compliance with codes and regulations, check with your local electrical inspector before installation. To prevent electrical shock, turn off electricity at fuse box before proceeding.

Retain these instructions for maintenance reference.

INSTRUCTION SHEET NO.

IS:26096

0597

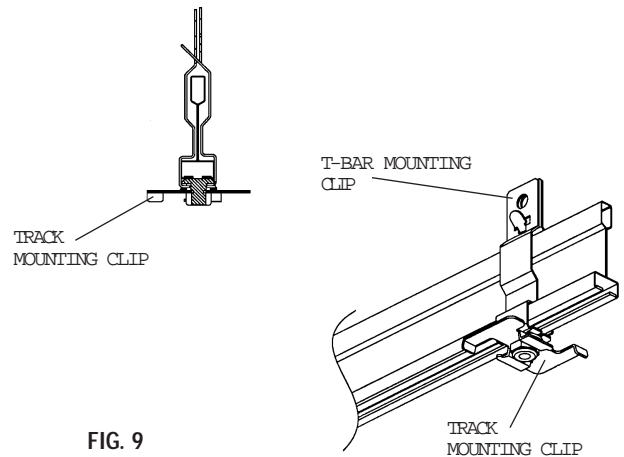
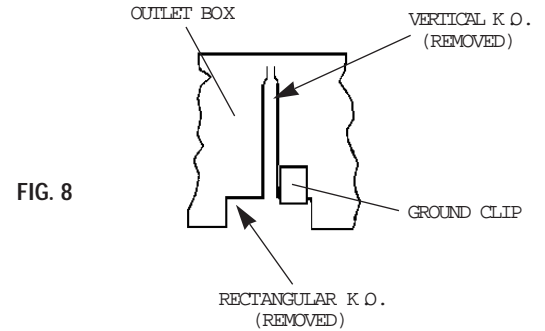
Page 3 of 3

B. INSTRUCTIONS

1. Remove appropriate VERTICAL and RECTANGULAR K.O.'s for T-BAR from OUTLET BOX.
2. Follow instructions 2 through 8 in **A. INSTRUCTIONS**.
3. Slide OUTLET BOX CLIPS onto OUTLET BOX. (Fig. 3)
4. Follow instructions 9 through 18 in **A. INSTRUCTIONS**.

C. INSTRUCTIONS

1. Remove appropriate VERTICAL and RECTANGULAR K.O.'s for T-BAR from OUTLET BOX.
2. Attach a bare or green color insulated 12 AWG solid copper GROUND WIRE approximately 8" long to the OUTLET BOX using the GROUND CLIP (supplied). (Fig. 8). Bend unattached end of wire away from the OUTLET BOX.
3. Follow instructions 3 through 5 in **A. INSTRUCTIONS**.
4. Assemble T-BAR MOUNTING CLIPS to TRACK MOUNTING CLIPS to the T-BAR. TRACK MOUNTING CLIPS must rotate after assembly. (Fig. 9)
5. Use two T-BAR MOUNTING CLIPS for a 2' to 4' TRACK UNIT, 3 for an 8' TRACK UNIT, and 4 for a 12' TRACK UNIT. DO NOT EXCEED 4' BETWEEN T-BAR MOUNTING CLIPS. Use additional clips for heavily loaded applications or for additional support.
6. Follow instructions 8 through 18 in **A. INSTRUCTIONS**.



LIGHTOLIER®

LIGHTOLIER a GENLYTE company.

631 Airport Road, Fall River, MA 02720