

Ordering Information

Catalog No.	Finishes	Mountings	Weight of Fixture with Lamp & (2) Glass filters	Lamps
26556 MWHCY 26556 MBKCY	Matte White Matte Black	Canopy mounted over a 4" Octagon Junction Box (or other electrical box with 3.5" mounting centers. 4 7/8" dia. fixture canopy must cover J-Box.)	12.8 lbs	12V PAR 56 120W to 240W with Screw Terminals (not included)
26556 MWHPC 26556 MBKPC	Matte White Matte Black	Pipe Clamp: Fits rounds pipes. 3/4" to 1 1/2" nominal pipe size. Note: 3/4" nominal pipe measures 1.05" O.D., 1 1/2" nominal pipe measures 1.90" O.D.	14.5 lbs	
26556 MWH 26556 MBK	Matte White Matte Black	ProSpec™ Track System Ceiling, Vertical Wall and Horizontal Wall	13.0 lbs.	

Features

- Pipe Clamp:** Altman 510 malleable cast iron clamp.
- Magnetic Transformer:** Primary 120V, secondary 12V with 240W load max.
- Switch:** Tungsten rated switch allows fixture to be switched on or off without disconnecting wires. (Canopy and pipe mount version only.)
- Yoke:** 1/8" thick X 1" wide solid steel.
- Housing:** 1/16" thick aluminum.
- Male Plug:** Grounded parallel blade plug, 3' long cord.
- Lamp Adjustment Knob:** Knurled steel. Can be moved in housing slot to rotate lamp 180°. Knob is tightened to lock lamp in desired position.
- Safety Hook:** 1/16" steel cable with "S" hook provides additional support to structure. (Pipe mount only.)
- Accessory Locking Knob:** Knurled steel. Locks accessory cartridge in desired position after adjustments.
- Lamp Access Knob:** Knurled steel. Locks front housing to fixture. Loosening provides access for adding accessories and lamp replacement.
- Accessory Cartridge:** Can be rotated 360° and locked into position.
- Lamp Guard:** Tempered clear glass. Required for safety. Included.
- Cross Blade:** 0.07" thick X 1 3/8" deep steel blades matte black finish, removable.
- Fixture Rotation Knob:** High temperature plastic. When loose, allows fixture to be rotated. When tight the fixture is locked into position.
- Lamp Guide:** 1/16" thick steel with plastic insulation. Ensure lamp is seated properly in fixture. 0.049" wall, steel.
- Canopy:** 0.047" thick steel.
- Track Attachment Fitting:** Machined aluminum. Polarity is not a concern with ProSpec track because of its symmetrical positioning of circuits within the track, adapter is reversed to access one or the other circuit.
- Steel Clamping Toggles:** 1/8" thick plated steel with 1/4 - 20 thread secures fixture mechanically to track.
- Electrical Post:** .20 x .032 thick brass contacts enclosed in a high temperature thermoplastic insulator.
- Clamping Knobs:** Rotation of clamping knobs secures steel clamping toggle.

Finish

All painted finishes are baked enamel.

Options & Accessories

(2) Accessories max. Use 6 1/4" UV, PF, SY, LF, IR, AS, AS7LS and AL7HC accessories.

Electrical

Input to fixture can be 120V rms at 60Hz. Supply wire to canopy must be rated for at least 90°C. Supply wire must be capable of handling 6 amps or more. Wires from canopy and pipe fixture are 18 ga. stranded SF-1.

Electrical Performance: 120V 60Hz AC input

240 Watt Lamp	120 Watt Lamp
Input Wattage: 266W	Input Wattage: 142W
Input Amperage: 2.43 amp	Input Amperage: 1.57 amp
Input Power Factor: 91.2%	Input Power Factor: 75%
Output Voltage: 11.45V	Output Voltage: 11.87V
Output Current: 19.84 amp	Output Current: 9.63 amp

Dimming

Dimming controls: use only dimmers specifically designed for use with magnetic transformers, like Lightolier Onset®, Sunrise® series LV or VA dimmers, or any Lightolier Controls dimming system. Low voltage fixtures may produce audible sound when used with dimmers, which may be objectionable in acoustically critical areas.

Labels

U.L.; I.B.E.W. Not for Residential Use.

Job Information	Type:
Job Name:	
Cat. No.:	
Lamp(s):	
Notes:	

Lightolier a Genlyte company www.lightolier.com
 631 Airport Road, Fall River, MA 02720 • (508) 679-8131 • Fax (508) 674-4710
 We reserve the right to change details of design, materials and finish.
 © 2005 Genlyte Group LLC • 0806

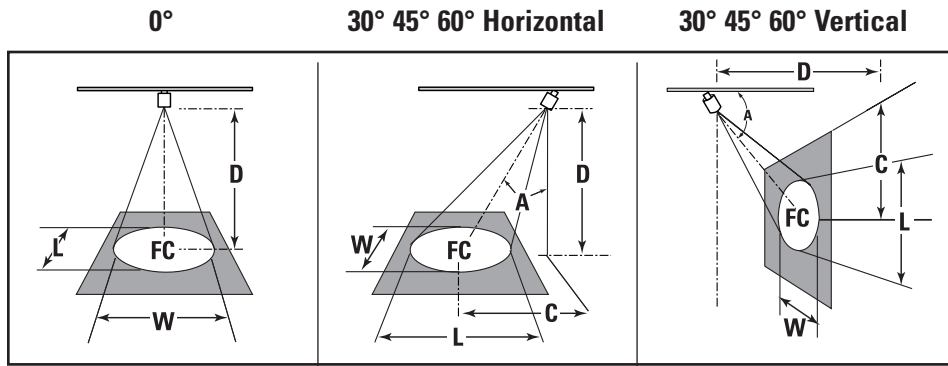


Aiming Angle:

- L** Beam length
- W** Beam Width
- C** Distance to center beam
- D** Distance
- A** Aiming Angle
- FC** Footcandles

L and W are the outer points where the candle power drops to 50% of the maximum. FC are the initial footcandles at the center of the beam.

Lamp data shown is typical. Consult lamp manufacturers for availability and performance. CBCP= Center Beam Candle Power.



Lamp	Beam Spread (To 50% CBCP)	CBCP	Rated Life (Hrs.)	0° Aiming Angle				A= 30° Aiming Angle				A= 45° Aiming Angle				A= 60° Aiming Angle						
				D	FC	L	W	D	C	FC	L	W	D	C	FC	L	W	D	C	FC	L	W
120W PAR56 NSP 12V SCR TERM	6° x 8°	60,000	2000	15'	231	1.6'	2.1'	10'	5.8'	390	1.4'	1.6'	8'	8.0'	331	1.7'	1.6'	5'	8.7'	300	2.1'	1.4'
				20'	150	2.1'	2.8'	15'	8.7'	173	2.1'	2.4'	12'	12.0'	147	2.5'	2.4'	8'	13.9'	117	3.4'	2.2'
				25'	96	2.6'	3.5'	20'	11.5'	97	2.8'	3.2'	16'	16.0'	83	3.4'	3.2'	11'	19.1'	62	4.7'	3.1'
				30'	67	3.1'	4.2'	25'	14.4'	62	3.5'	4.0'	20'	20.0'	53	4.2'	4.0'	14'	24.2'	38	5.9'	3.9'
120W PAR56 MFL 12V SCR TERM	9° x 18°	19,000	2000	10'	190	1.6'	3.2'	8'	4.6'	193	1.7'	2.9'	6'	6.0'	187	1.9'	2.7'	4'	6.9'	148	2.6'	2.5'
				15'	84	2.4'	4.8'	12'	6.9'	86	2.5'	4.4'	9'	9.0'	83	2.9'	4.5'	6'	10.4'	66	3.8'	3.8'
				20'	48	3.1'	6.3'	14'	9.2'	48	3.4'	5.9'	12'	12.0'	47	3.8'	6.2'	8'	13.9'	37	5.1'	5.1'
				25'	30	3.9'	7.9'	16'	11.5'	31	4.2'	7.3'	15'	15.0'	30	4.8'	8.0'	10'	17.3'	24	6.4'	6.3'
120W PAR56 WFL 12V SCR TERM	18° x 35°	5,625	2000	6'	156	1.9'	3.8'	5'	2.9'	146	2.1'	3.6'	3'	3.0'	221	1.9'	2.7'	2'	3.5'	176	2.7'	2.5'
				8'	88	2.5'	5.0'	7'	4.0'	75	3.0'	5.1'	5'	5.0'	80	3.2'	4.5'	3'	5.2'	78	4.1'	3.8'
				10'	56	3.2'	6.3'	9'	5.2'	45	3.6'	6.6'	7'	7.0'	41	4.5'	6.2'	4'	6.9'	44	5.5'	5.0'
				12'	39	3.8'	7.6'	11'	6.4'	30	4.7'	8.0'	9'	9.0'	25	5.8'	8.0'	5'	8.7'	28	6.9'	6.3'
240W PAR56 VNSP 12V SCR TERM	6° x 9°	140,000	2000	20'	350	2.1'	3.1'	15'	8.7'	404	2.1'	2.7'	12'	12.0'	344	2.5'	2.7'	8'	13.9'	273	3.4'	2.5'
				30'	156	3.1'	4.7'	25'	14.4'	145	3.5'	4.5'	17'	17.0'	171	3.6'	3.8'	12'	20.8'	122	5.1'	3.6'
				40'	88	4.2'	6.3'	35'	20.2'	74	4.9'	6.4'	22'	22.0'	102	4.6'	4.9'	16'	27.7'	68	6.8'	5.0'
				50'	56	5.2'	7.9'	45'	26.0'	45	6.3'	8.2'	27'	27.0'	68	5.7'	6.0'	20'	34.6'	44	8.5'	6.3'
240W PAR56 MFL 12V SCR TERM	8° x 19°	46,000	2000	15'	204	2.1'	5.0'	10'	5.6'	299	1.9'	3.9'	8'	8.0'	254	2.2'	3.8'	5'	8.7'	230	2.8'	3.3'
				20'	115	2.8'	6.7'	15'	8.7'	133	2.8'	5.8'	12'	12.0'	113	3.4'	5.7'	8'	13.9'	90	4.5'	5.4'
				25'	74	3.5'	8.4'	20'	11.5'	75	3.7'	7.7'	16'	16.0'	64	4.5'	7.6'	11'	19.1'	48	6.2'	7.4'
				30'	51	4.2'	10.0'	25'	14.4'	48	4.7'	9.7'	20'	20.0'	41	5.6'	9.5'	14'	24.2'	29	7.9'	9.4'
240W PAR56 WFL 12V SCR TERM	18° x 35°	13,000	2000	8'	203	2.5'	5.0'	7'	4.0'	172	3.0'	5.1'	5'	5.0'	184	3.2'	4.5'	3'	5.2'	181	4.1'	3.8'
				12'	90	3.8'	7.6'	10'	5.8'	84	4.3'	7.3'	7'	7.0'	94	4.5'	6.2'	4'	6.9'	102	5.5'	5.0'
				16'	51	5.1'	10.1'	13'	7.5'	50	5.5'	9.5'	9'	9.0'	57	5.8'	8.0'	5'	8.7'	65	6.9'	6.3'
				20'	33	6.3'	12.6'	16'	9.2'	33	6.6'	11.7'	11'	11.0'	38	7.1'	9.8'	8'	10.4'	45	6.2'	7.6'

Job Information **Type:**

Lightolier a Genlyte company www.lightolier.com
 631 Airport Road, Fall River, MA 02720 • (508) 679-8131 • Fax (508) 674-4710
 We reserve the right to change details of design, materials and finish.
 © 2005 Genlyte Group LLC • 0806

LIGHTOLIER®