

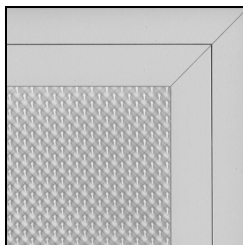
PRISMALYTE (PNB) PNB SERIES 132/232/332

Features

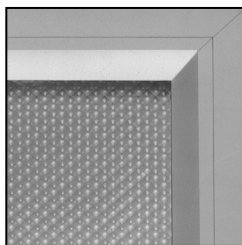
- Only 5-1/2" deep.
- Efficiency 58.4% (2 lamp T8).
- 1.2 spacing mounting ratio (2 lamp T8).
- 20 gauge steel body.
- 45° mitered corners (body and door frame).
- Side mounted ballast for cooler operation.
- Fully enclosed wiring.
- Available in three lens frame styles.
- Door jamb with positive light stop.
- Spring-loaded latches.
- Reversible door frame hinge.
- Available with floating or full size doors.
- Matches PrismaLite (PRA/PRS) recessed.
- Frames interchangeable with Deepcell (DPB).
- Meets NYC Code requirements.



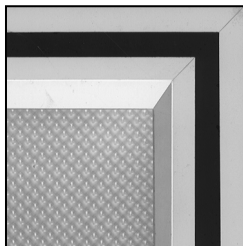
FEATURES



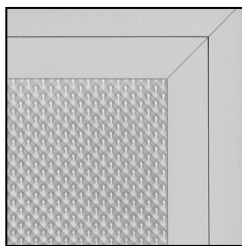
(FA) flat full-size aluminum frame.



(RA) regressed full-size aluminum frame.

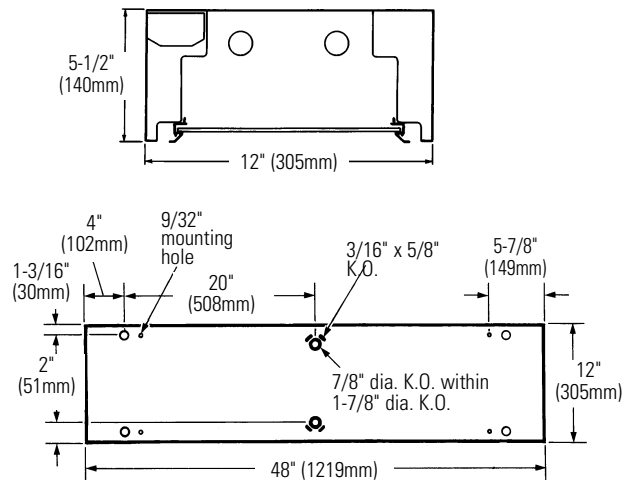


(RF) 1/2" regressed floating aluminum frame.

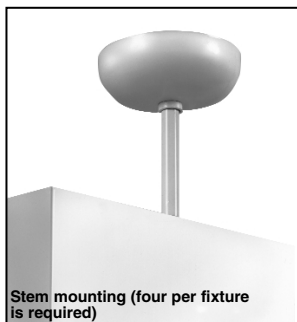


(FS) flat full-size steel frame.

DIMENSIONS



MOUNTING METHOD



Stem mounting (four per fixture is required)

Job Information

Type:

Job Name:

Cat. No.:

Lamp(s):

Volts/Ballast:

Lightolier a Genlyte Thomas Company www.lightolier.com
 Technical Information: (978) 657-7600 • Fax (978) 658-0595
 631 Airport Road, Fall River, MA 02720 • (508) 679-8131 • Fax (508) 674-4710
 We reserve the right to change details of design, materials and finish.
 © 2002 Genlyte Thomas Group LLC (Lightolier Division)
 A0902 **Section 3A/Folio H50-16 REV. A**

LIGHTOLIER®



PHOTOMETRY

GT TESTING LABORATORY
45 Industrial Way
Wilmington, MA 01887
(508) 657-7600

REPORT NO.: K83750 DATE: 06-31-1983
CATALOG NO.: PNB1SFAVA232120SO
LAMP(S): 2 F32/T8 EACH RATED 2850 LUMENS
LUMINAIRE: 1X4 SURFACE LUMINAIRE 2 LIGHT W/FLT ALUMINUM FRM & VIRGIN ACRYLIC LENS

CANDELA DISTRIBUTION

ANGLE	FLUX
0.0	45.0
0	1723
5	1717
15	1654
25	1512
35	1276
45	907
55	515
65	276
75	145
85	44
90	0

ZONAL LUMEN SUMMARY

ZONE	LUMENS	%LAMP	%FIXT
0-30	1342	21.3	36.5
0-40	2151	34.1	58.5
0-60	3258	51.7	88.6
0-90	3678	58.4	100.0
90-180	0	0.0	0.0
0-180	3678	58.4	100.0

TOTAL LUMINAIRE EFFICIENCY = 58.4 %
TOTAL REFLECTANCE OF PAINT = 88.0 %
CIE TYPE - DIRECT PLANE : 0-DEG 90-DEG
SPACING CRITERIA : 1, 2, 1, 2
SHIELDING ANGLES : 90 90
LUMINOUS LENGTH : 45.937 9.937

LUMINANCE DATA IN FOOTLAMBERTS

ANGLE	AVERAGE	AVERAGE
0-DEG	1709.	1708.
45-DEG	1271.	1221.
90-DEG	390.	721.
135-DEG	847.	427.
180-DEG	548.	417.
225-DEG	500.	825.
270-DEG	500.	500.

THIS REPORT IS BASED ON PUBLISHED INDUSTRY PROCEDURES. FIELD PERFORMANCE MAY DIFFER FROM LABORATORY PERFORMANCE.

MODEL NO. PNB1SFAVA232120SO

coefficients of utilization — zonal cavity method

room cavity ratio	20						50						80						
	RF		RC		RW		RF		RC		RW		RF		RC		RW		
	70	50	30	50	30	10	50	30	10	50	30	10	50	30	10	50	30	10	
1	65	63	61	59	57	56	57	55	54	51	49	48	47	46	45	44	43	42	41
2	60	56	53	53	51	49	51	49	48	48	45	43	43	40	38	38	35	33	32
3	56	51	47	48	45	43	44	40	38	36	33	33	31	29	28	27	26	25	24
4	52	46	42	44	40	38	40	36	33	33	29	26	26	23	22	21	20	19	18
5	48	41	37	40	36	33	36	32	29	29	26	23	23	20	18	18	17	16	15
6	45	38	33	36	32	29	33	29	26	26	23	20	20	18	17	16	15	14	13
7	41	34	30	33	29	26	30	26	23	23	20	18	18	16	15	14	13	12	11
8	38	31	26	30	26	23	27	23	20	20	18	16	15	14	13	12	11	10	9
9	35	28	23	27	23	20	25	21	18	18	16	14	13	12	11	10	9	8	7
10	33	25	21	25	21	18	22	18	15	15	13	11	10	9	8	7	6	5	4

visual comfort probability

room size	ceiling height						ceiling height							
	W		L		L		W		L		L			
	8.5	10.0	13.0	16.0	8.5	10.0	13.0	16.0	8.5	10.0	13.0	16.0		
20	20	20	68	71	77	80	68	72	77	81	68	72	77	81
20	30	30	61	64	68	72	62	65	69	73	62	65	69	73
20	40	40	58	60	64	66	58	61	64	67	58	61	64	67
20	60	60	55	57	60	62	55	58	60	62	55	58	60	62
30	20	20	69	73	77	80	69	73	77	80	69	73	77	80
30	30	30	62	65	69	72	62	65	69	72	62	65	69	72
30	40	40	58	60	63	65	58	61	63	66	58	61	63	66
30	60	60	54	57	58	61	54	57	59	61	54	57	59	61
30	80	80	53	55	55	58	53	55	56	58	53	55	56	58
40	20	20	71	74	78	81	71	74	79	81	71	74	79	81
40	30	30	63	66	70	73	63	66	70	73	63	66	70	73
40	40	40	58	61	64	66	59	61	64	66	59	61	64	66
40	60	60	54	57	58	60	55	57	59	61	55	57	59	61
40	80	80	53	55	55	57	53	55	56	58	53	55	56	58
40	100	100	52	53	54	55	52	54	54	56	52	54	54	56
60	20	20	64	67	70	73	64	67	71	73	64	67	71	73
60	30	30	59	62	64	67	59	62	64	67	59	62	64	67
60	40	40	55	57	58	61	55	57	58	61	55	57	58	61
60	60	60	52	54	55	57	52	54	55	57	52	54	55	57
60	80	80	51	53	53	55	51	53	53	55	51	53	53	55
100	40	40	62	64	66	69	62	64	66	69	62	64	66	69
100	60	60	57	59	60	62	57	59	60	63	57	59	60	63
100	80	80	54	55	56	58	54	56	56	58	54	56	56	58
100	100	100	52	53	53	55	53	54	54	56	53	54	54	56

ORDERING INFORMATION

Explanation of Catalog Number. Example: PNB1SFAVA232120SOGLR

PN PRISMALYTE: Lens Frame Surface Fluorescent	B BODY STYLE: Surface Box	1 FIXTURE WIDTH	S CEILING TYPE: S=Surface	FA LENS FRAME: FA=Flush full-size aluminum frame FS=Flush full-size steel frame RA=Regressed full-size aluminum frame RF=1/2" regressed floating aluminum frame	VA LENS/ SHIELDING TYPE: VA=Virgin acrylic (standard) See specifications and consult factory	LAMP QUANTITY: (By Others) 1=1 Lamp 2=2 Lamp 3=3 Lamp	LAMP/ FIXTURE LENGTH: 32=T8 34=T12 (Nominal 48")	VOLTAGE: 120 or 277	BALLAST TYPE: LE <20THD S0* O3* S0* PS	OPTIONS: Add appropriate suffix to catalog no., ie: (GLR) HI* H3* HI* -
--	--	------------------------------	---	--	---	--	--	-------------------------------	---	---

*With 7/16" black reveal four sides.

OPTIONS & ACCESSORIES

- FUSING:** Internal fast-blow fusing.
SUFFIX: **GLR**.
Internal slow-blow fusing.
SUFFIX: **GMF**.
- RADIO INTERFERENCE FILTER** 120 or 277 volt, 50 or 60 Hz. One per fixture is standard. SUFFIX: **RF**.
- ELECTRICAL/WIRING OPTIONS** Consult factory.
- STEM AND CANOPY SETS:** Suspends fixture 6", 12", 18" or 24" from surface. (Four per fixture is recommended.) **Catalog Number: ASC6 CSP (6"), ASC12 CSP (12"), ASC18 CSP (18"), ASC24 CSP (24")**

SPECIFICATIONS

PERFORMANCE: In an installation of 2 lamp 32W luminaires in a room cavity ratio of 1, reflectance 80% ceiling, 50% wall, 20% floor, the C.U. shall not be less than .63. To prevent glare the VCP shall not be less than 55 either lengthwise or crosswise (at 100 fc level) and the average brightness at 65" shall not exceed 647 footlamberts. To control veiling reflections, luminaire output in the 30° - 90° zone shall be not less than 63.5%.

SPECIFICATIONS (continued)

MATERIALS: Chassis parts are die-formed 20 gauge cold rolled steel, stud-welded for rigidity. **Lens Frame**—(FA) flush full-size aluminum frame, (FS) flush full-size steel frame, (RA) regressed full-size aluminum frame, (RF) 1/2" regressed floating aluminum frame with 7/16" black reveal, four sides.

FINISH: Chassis exterior—white baked acrylic enamel. **Cavity**—white baked acrylic enamel minimum reflectance 86%. Phosphate undercoating.

Lens—extruded virgin acrylic, 3/16" square based female cones, running 45° to the panel edge, .095" nominal thickness (similar to pattern 12).

ELECTRICAL: Thermally protected class "P" ballast C.B.M. approved, non PCB. If K.O. is within 3" of ballast, use wire suitable for at least 90°.

LABELS: I.B.E.W./UL and C-UL.

Job Information Type:

Lightolier a Genlyte Thomas Company www.lightolier.com
Technical Information: (978) 657-7600 • Fax (978) 658-0595
631 Airport Road, Fall River, MA 02720 • (508) 679-8131 • Fax (508) 674-4710
We reserve the right to change details of design, materials and finish.
© 2002 Genlyte Thomas Group LLC (Lightolier Division)
A0902 **Section 3A/Folio H50-16 REV. A**

LIGHTOLIER