

# Task Lighting **PristineHW™** Series

## Features

- Architecturally pleasing rounded slim profile only 3/4" deep x 4-3/4" wide.
- Provides median foot candle level of 55 on 2' x 5' desk top.
- Prismatic acrylic spread lens.
- Flush push button switch.
- Easy access wiring compartment for hard wiring.
- Can be hard wired from top or back.
- Electronic program start <10 THD ballast.
- Lamp T2 13W, CRI=80, color temperature 3500K, lamp is included.
- Flat white polyester enamel finish.
- Meets New York City requirements for task lighting.

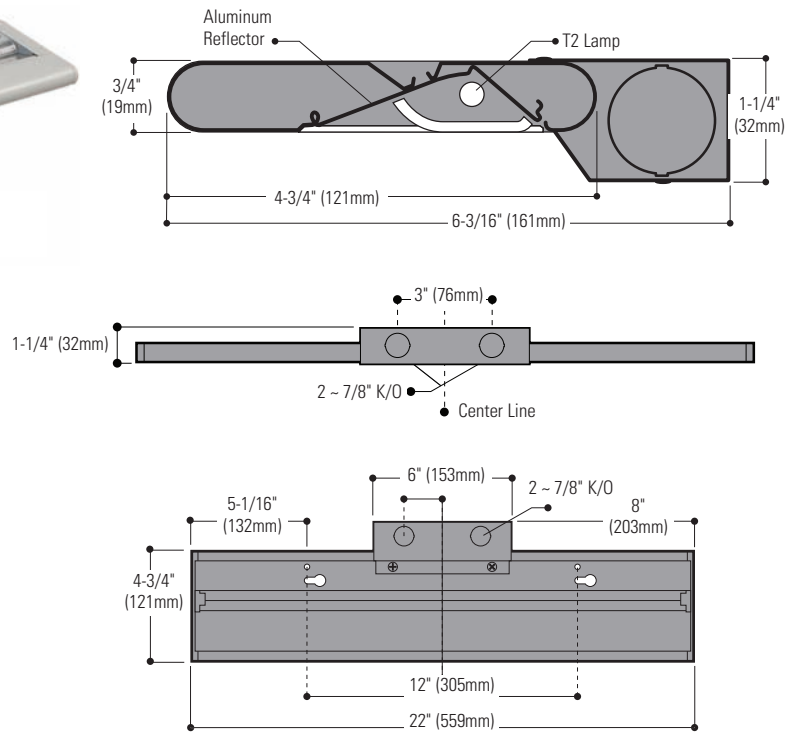


## Features



**Easy access wiring compartment**

## Dimensions



**Architecturally pleasing rounded slim profile only 3/4" deep x 4-3/4" wide.**

## Job Information

## Type:

**Job Name:**

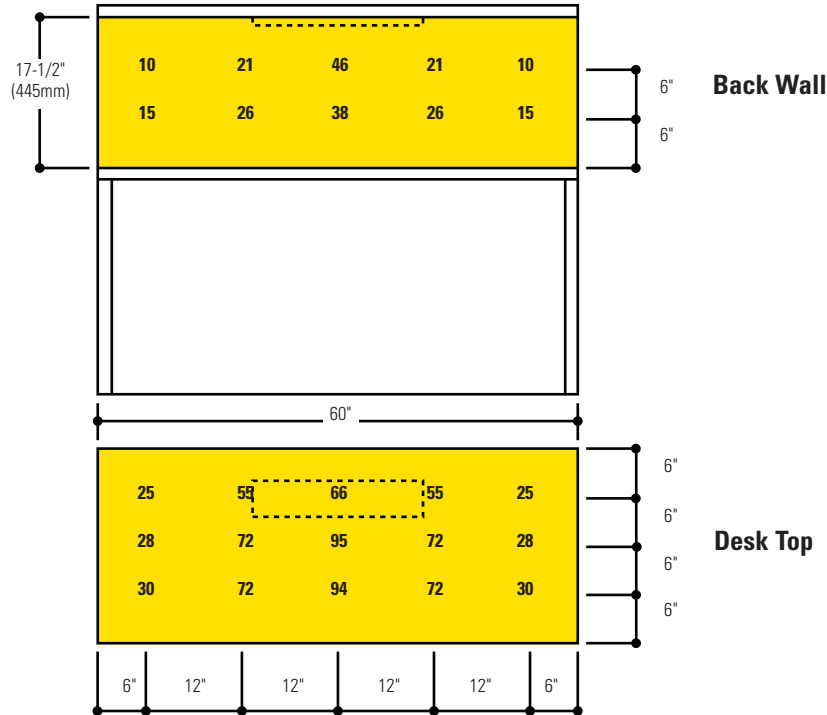
**Cat. No.:**

**Lamp(s):**

**Volts/Ballast:**

**Lightolier** a Genlyte Thomas Company [www.lightolier.com](http://www.lightolier.com)  
 Technical Information: (978) 657-7600 • Fax (978) 658-0595  
 631 Airport Road, Fall River, MA 02720 • (508) 679-8131 • Fax (508) 674-4710  
 We reserve the right to change details of design, materials and finish.  
 Copyright 2007 Lightolier **Section 5/Folio H150-17**

## Pristine Footcandle Readings



## Ordering Information

Explanation of Catalog Number. Example: PC2W13T2120PTHW

<b>PC</b>	<b>2</b>	<b>W</b>	<b>13</b>	<b>T2</b>	<b>120</b>	<b>PT</b>	<b>HW</b>
Pristine Series: Task Lighting	Length: 2=22"	Finish: White	Lamp: 13 Watt	Lamp Type: T2=835K installed with fixture	Voltage: 120	Ballast: PT = Elec. Program Start <10 THD for Linear T2 Lamp	Hard Wiring Compartment

## Options/Accessories

**Dimming:** Consult factory.

## Specifications

**Materials:** Chassis parts are die-formed cold rolled steel.

**Wiring Compartment** is 16 gauge cold rolled steel.

**Lens:** Ribbed acrylic.

**Reflector:** Aluminum.

**Lamp:** T2, 13 watt CRI=80, color temperature 3500K. (Included)

**Finish:** Cavity—Flat white baked enamel, 86% reflectance. Rust preventative undercoating.

**Chassis exterior**—Flat white baked enamel.

**Electrical:** Thermally protected class "P" ballast C.B.M. approved, sound rated A, <10 THD, non PCB.

**Labels:** UL and ULc Listed.

## Job Information

Type:

Lightolier a Genlyte Thomas Company [www.lightolier.com](http://www.lightolier.com)  
 Technical Information: (978) 657-7600 • Fax (978) 658-0595  
 631 Airport Road, Fall River, MA 02720 • (508) 679-8131 • Fax (508) 674-4710  
 We reserve the right to change details of design, materials and finish.  
 Copyright 2007 Lightolier **Section5/Folio H150-17**