

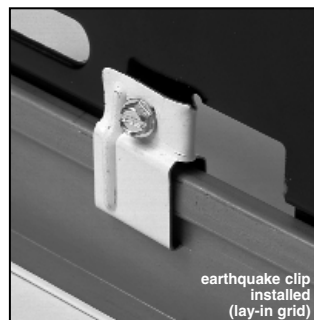
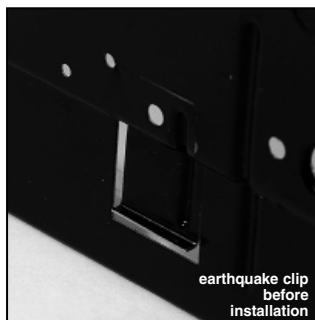
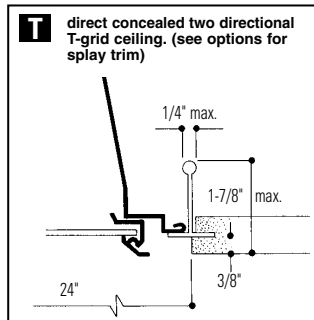
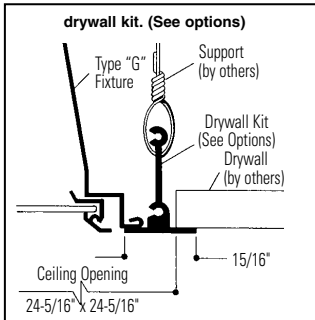
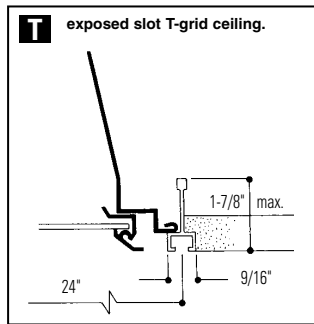
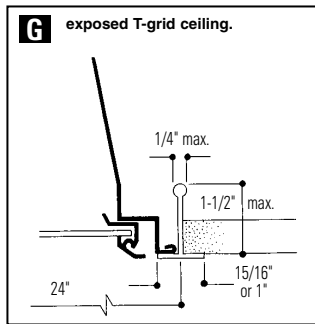
PRISMALYTE *plus* PRA2GRFVA3FT or 2FT

Features

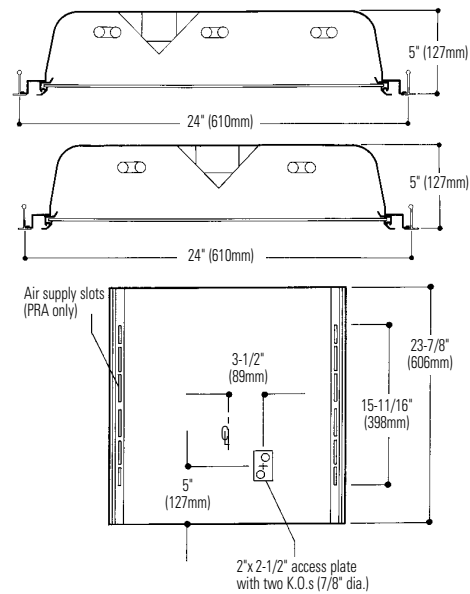
- 5" deep body.
- 2-9/16" lamp to lens for better lamp obscuration.
- 75.4% efficient (3 lamp TT5).
- Black housing exterior for cooler ballast operating temperature.
- Clean contoured interior.
- Eyeleted heat removal vents in fixture ends.
- Hemmed over side rails for maximum safety.
- Fixture ends turned-in for safe handling.
- Built-in earthquake clips (patent no. 5,072,344).
- Door jamb finished black on four sides for positive light stop.
- True mitered corner aluminum lens frame.
- Spring loaded rooster head latches.
- 18 gauge steel hinges.
- 2 lamp TT5 available.



MOUNTING METHOD



DIMENSIONS



Job Information

Type:

Job Name:

Cat. No.:

Lamp(s):

Volts/Ballast:

Lightolier a Genlyte Thomas Company

www.lightolier.com

Technical Information: (978) 657-7600 • Fax (978) 658-0595

631 Airport Road, Fall River, MA 02720 • (508) 679-8131 • Fax (508) 674-4710

We reserve the right to change details of design, materials and finish.

© 2002 Genlyte Thomas Group LLC (Lightolier Division)

A0902

Section 1A/Folio E20-34

LIGHTOLIER®



PRISMALYTE plus

PRA2GRFVA3FT or 2FT

2'x2' RECESSED FLUORESCENT, FLOATING LENS FRAME WITH BLACK REVEAL STATIC OR AIR SUPPLY/RETURN, 2 OR 3 LAMP, TWIN TUBE T5

PHOTOMETRY

PHOTOMETRY REPORT from GIL TESTING LABORATORY. Includes report number G00046, date 03-22-2000, and various photometric data tables such as Candela Distribution, Zonal Lumen Summary, and Luminance Data.

MODEL NO. PRA2GRFVA3FT

Luminaire Efficacy Rating LER-42.7 Watts-98.0 BF-0.88

Table of coefficients of utilization — zonal cavity method. Columns include RF, RC, RW, room cavity ratio, and various room size and ceiling height parameters.

Table of visual comfort probability (rated lumens per lamp 3150). Columns include room size (W, L), ceiling height (8.5, 10.0, 13.0, 16.0), and luminaire lengthwise/crosswise dimensions.

ORDERING INFORMATION

Explanation of Catalog Number. Example: PRA2GRFVA3FT120X3RF

Ordering code breakdown: PR (PRISMALYTE plus), 2 (FIXTURE WIDTH), RF (LENS FRAME), VA (LENS/SHIELDING TYPE), FT (LAMP TYPE/FIXTURE LENGTH), and OPTIONS (ballast type, dimming, etc.).

OPTIONS & ACCESSORIES

- SPECIAL LENSES: Substitute VB for VA (standard) = .125" nominal pattern 12 with 7.8 oz. average weight per square foot.
SPLAY TRIM: For T ceiling type only. SUFFIX: CTZ22 S2 SPLAY TRIM.
RADIO INTERFERENCE FILTER: 120 or 277 volt, 50 or 60 Hz.
AIR CLOSURE STRIP: SUFFIX ACS2 (factory installed).
ELECTRICAL WIRING OPTIONS: Consult factory.
DRYWALL KIT: Order Catalog Number: FK92X2.
CHICAGO PLENUM: SUFFIX: CP.

SPECIFICATIONS

PERFORMANCE: In an installation of 3 lamp 40W luminaires in a room cavity ratio of 1, reflectance 80% ceiling, 50% wall, 20% floor, the C.U. shall not be less than .71. To prevent glare the VCP shall be not less than 36 either lengthwise or crosswise (at 100fc level) and the average brightness at 65° shall not exceed 4656 candelas per square meter.
AIR HANDLING: (PRA only) side air passages for air supply or air return. Supply

air is discharged vertically. Optional side closure strips. Air return is also provided through the lamp compartment through fixture body ends.
MATERIALS: Chassis parts are die-formed code gauge cold rolled steel. Housing with side rails hemmed over and housing ends turned-in for safe handling.
FINISH: Chassis exterior—black baked polyester enamel. Cavity—white baked polyester enamel minimum 86% reflectance. Phosphate undercoating.
LENSES: VA (standard) extruded virgin acrylic, 3/16" square based female cones, running 45° to the panel edge, .095" nominal thickness (similar to pattern 12). VB (optional) .125" nominal pattern 12 with 7.8 oz. average weight per square foot. VI (optional) .125" nominal pattern 12 with 6.8 oz. average weight per square foot.
ELECTRICAL: Thermally protected class "P" ballast C.B.M. approved, non PCB. If K.O. is within 3" of ballast, use wire suitable for at least 90°.
LABELS: I.B.E.W./UL and ULc Listed.

Job Information Type: Lightolier a Genlyte Thomas Company www.lightolier.com. Technical Information: (978) 657-7600 • Fax (978) 658-0595. 631 Airport Road, Fall River, MA 02720 • (508) 679-8131 • Fax (508) 674-4710. Section 1A/Folio E20-34

LIGHTOLIER