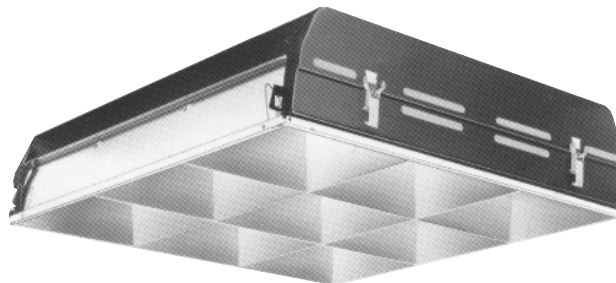


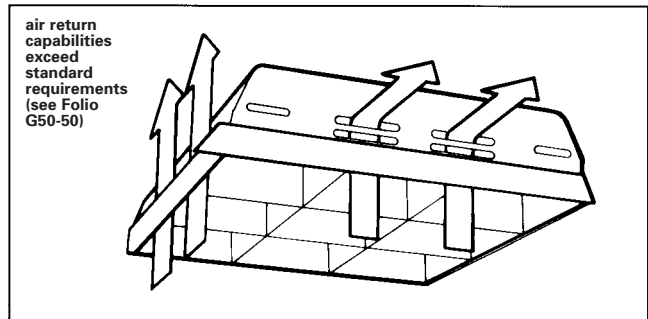
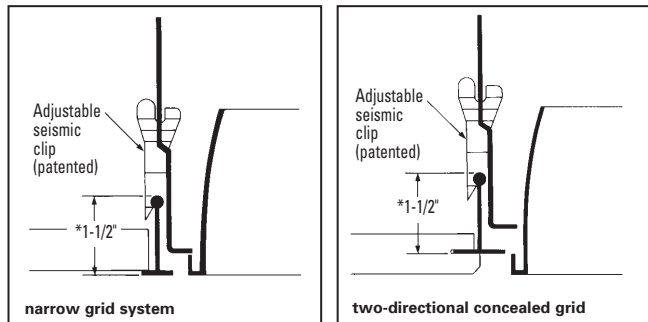
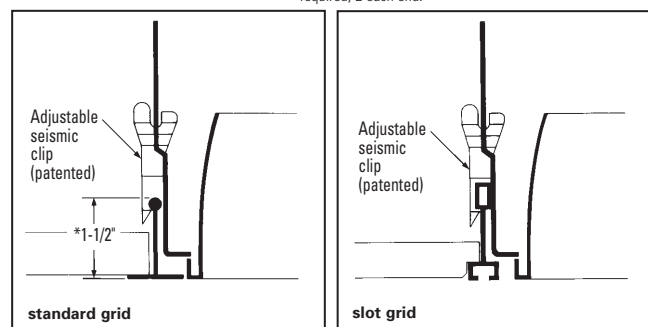
Features

- 23" x 23" louver
- Efficiency 72.6%.
- One fixture fits 50 different G type and T type ceiling systems.
- Only 5 1/2" deep housing.
- Automatic engaging adjustable seismic clips.
- Pre-anodized aluminum vertical grain parabolic louver.
- 3 1/8" deep louver.
- Low iridescence semi-specular aluminum, standard.
- Spring-loaded latches.
- Protective film dust guard.
- UL-Listed twin knockout access plate.
- Not for continuous row mounting.

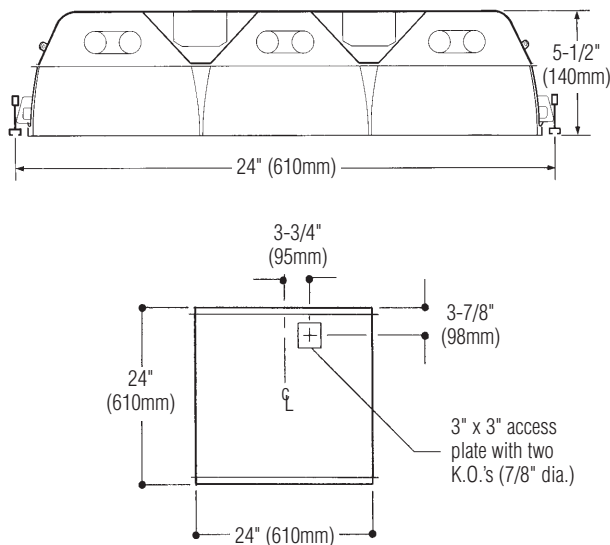


Mounting Methods

*If less than 1 1/2", STC spacer is required, 2 each end.



Dimensions



NOTE: Fixtures may be used for static or air return applications.

Job Information

Type:

Job Name:

Cat. No.:

Lamp(s):

Volts/Ballast:

Lightolier a Genlyte Thomas Company www.lightolier.com
 Technical Information: (978) 657-7600 • Fax (978) 658-0595
 631 Airport Road, Fall River, MA 02720 • (508) 679-8131 • Fax (508) 674-4710
 We reserve the right to change details of design, materials and finish.
 © 2003 Genlyte Thomas Group LLC (Lightolier Division)
 A0902 **Section 2/Folio G50-55 Rev. A**



Paralyte 2424 PLA2G9LP32U

2' x 2' Recessed Fluorescent, 3-1/8" Deep, 9 Cell Parabolic Louver
Static and Air Return 3 Lamp, T8, 1-5/8" U Lamp

Photometry

Model No. PLA2G9LP32U12003

LER = FP - 64.6 IW - 85.0 BF - 0.88

Comparative yearly lighting energy cost per 1000 lumens = \$3.79

Coefficients of utilization — zonal cavity method (effective floor cavity reflectance 0.20)

		20			30			40		
		RF	RC	RW	RF	RC	RW	RF	RC	RW
room cavity ratio	1	81	78	76	74	72	70	71	70	68
	2	76	71	67	67	64	62	65	62	60
	3	70	64	69	61	67	54	69	56	53
	4	65	57	52	55	61	47	53	50	47
	5	60	51	46	49	45	41	48	44	41
	6	55	46	41	44	40	36	43	39	36
	7	51	42	36	40	35	31	39	34	31
	8	47	37	31	36	31	27	36	30	27
	9	43	33	28	32	27	23	31	27	23
	10	40	30	25	29	24	21	28	24	21

visual comfort probability (rated lumens per lamp 3150.)

room size		ceiling height				ceiling height			
W	L	8.5	10.0	13.0	16.0	8.5	10.0	13.0	16.0
20	20	65	59	56	68	70	65	62	63
20	30	68	62	55	54	73	68	63	60
20	40	71	65	60	56	75	70	66	62
20	60	72	68	63	59	76	72	69	65
30	20	71	64	59	65	75	68	63	62
30	30	73	67	58	53	77	71	63	59
30	40	75	69	62	55	78	72	67	61
30	60	76	71	64	58	79	74	69	64
30	80	77	73	67	61	80	75	71	66
40	20	74	67	63	66	78	73	66	63
40	30	75	70	62	55	79	74	67	60
40	40	77	72	65	57	80	75	69	62
40	60	78	73	67	60	80	76	71	64
40	80	79	75	69	62	81	77	73	66
40	100	80	76	71	65	82	78	74	68
60	30	77	72	66	59	80	76	70	62
60	40	79	74	68	60	81	77	72	64
60	60	79	75	70	62	82	78	73	65
60	80	80	76	71	65	82	78	74	68
60	100	80	77	73	66	82	79	76	69
100	40	80	76	71	64	83	79	74	67
100	60	81	77	73	66	83	79	75	69
100	80	81	78	74	68	83	80	77	71
100	100	82	78	75	69	84	80	77	72

itl boulder
INDEPENDENT TESTING LABORATORIES, INC. • 3386 LONGHORN ROAD, BOULDER, COLORADO 80302 • PHONE (303) 442-1255

REPORT NUMBER: ITL33754 DATE: 9-12-1987
PREPARED FOR: LIGHTOLIER
CATALOG NUMBER: PLA2G9LP32U12003
LUMINAIRE: FABRICATED METAL TROFFER, WHITE PAINTED INTERIOR FINISH, SEMI-SPECULAR, LOW IRRIDESCENCE 9-CELL PARABOLIC LOUVER. THE ZERO DEGREE PLANE IS OPPOSITE THE SOCKET.
LAMPS: THREE FRO3141K, EACH RATED 2800 LUMENS.
BALLASTS: ONE EACH ADVANCE CAT. NOS. R1P32-TP AND R2P32-TP
MOUNTING: RECESSED
TOTAL INPUT WATTS = 102.6 AT 120.0 VOLTS

CANDELA DISTRIBUTION

ANGLE	0	5	10	15	20	25	30	35	40	45	50	55	60	65	70	75	80	85	90
FLUX	0	2470	2470	2470	2470	2470	2470	2470	2470	2470	2470	2470	2470	2470	2470	2470	2470	2470	2470
CD	0	45.0	45.0	45.0	45.0	45.0	45.0	45.0	45.0	45.0	45.0	45.0	45.0	45.0	45.0	45.0	45.0	45.0	45.0

ZONAL LUMEN SUMMARY

ZONE	LUMENS	%LAMP	%FIXT
0-30	1984	23.7	32.7
0-40	3324	39.6	54.5
0-60	5680	67.6	93.1
0-90	6100	72.6	100.0
90-180	0	0.0	0.0
0-180	6100	72.6	100.0

TOTAL LUMINAIRE EFFICIENCY = 72.6 %
TOTAL REFLECTANCE OF PAINT = 91.8 %
CIE TYPE - DIRECT

PLANE : 0-DEG 90-DEG 180-DEG
SPACING CRITERIA : 1.2 1.5 1.2
SHIELDING ANGLES : 23 23
PLANE : 0-DEG 90-DEG
LUMINOUS LENGTH : 23.000 23.000

LUMINANCE DATA IN FOOTLAMBERTS

ANGLE	AVERAGE	AVERAGE	AVERAGE
IN DEG	0-DEG	90-DEG	180-DEG
45	1786.	2390.	1871.
55	1622.	1373.	1621.
65	1078.	578.	898.
75	122.	119.	117.
85	90.	90.	90.

LEGEND:
0-DEG
90-DEG
180-DEG

Checked: _____
Approved: _____

THIS REPORT IS BASED ON PUBLISHED INDUSTRY PROCEDURES • FIELD PERFORMANCE MAY VARY FROM LABORATORY PERFORMANCE.

Ordering Information

Explanation of Catalog Number. Example: PLA2G9LP32U12003GLR

PL Paralyte 2424: 3-1/8" Deep Parabolic Precision Contoured Pre-anodized Aluminum Louver	A Body Style: A=Air Handling /Static	2 Fixture Width	G Ceiling Type: G=Grid (lay-in T-bar)	9 Number of Cells	L Louver Finish: L = Low Iridescence Semi-specular (standard) W = White Paint	P Ballast Cover: P=Dual V Reflector	3 Lamp Quantity	2U Lamp/ Fixture Length: 2U= T8, 1-5/8" U Lamp (Nominal 24")	V Voltage: 120 or 277	B Ballast Type: <20THD SO* HI* <10THD O3* H3* PS -	O Options: Add appropriate suffix to catalog
--	--	------------------------------	--	--------------------------------	--	--	------------------------------	--	------------------------------------	---	--

*Instant Start Standard
Other dimming options. Consult factory.

Options & Accessories

Prewiring: 3/8" factory prewired cable (three no. 18 AWG leads, 6' long),

Suffix: **FF6**, (Four no. 18 AWG leads, 6' long), Suffix: **FF14**.

Fusing: Internal fast-blow fusing. Suffix: **GLR**.

Internal slow-blow fusing. Suffix: **GMF**.

Fluorescent Emergency Lighting System: Factory-installed emergency power battery pack with charger and inverter, concealed in fixture channel. Operates one fluorescent lamp at reduced light output for 90 minutes. Suffix: **EM**.

Radio Interference Filter: 120 or 277 volt, 50 or 60 Hz.

One per fixture. Suffix: **R**. One per ballast. Suffix: **B**.

Electrical Options: Special wiring, fusing or dimming ballasts and installed lamps are available, consult your Lightolier representative or factory.

T-Bar Spacer: If T-bar is less than 1-1/2" deep, order Catalog Number: **STC**. 2 each end is required.

Specifications

Performance: In an installation of 3 lamp, 31W luminaires in a room cavity ratio of 1, with reflectance of 80% ceiling, 50% wall, 20% floor, the C.U. shall not be less than 78. To prevent glare the VCP shall not be less than 79 either lengthwise or crosswise (at 100fc level) and the average brightness at 65° shall not exceed 1078 footlamberts. To control veiling reflections, luminaire output in the 30° - 90° zone shall not be less than 67.3%.

Air Return: Designed to provide optimum air return. Air is returned through the

Specifications (continued)

lamp compartment for all ceiling systems and direct to plenum through slots in slot grid and narrow grid ceiling systems.

Materials: Chassis parts are die-formed code gauge cold rolled steel. **Housing** is embossed for rigidity with all edges turned up for safe handling. **Louver** is pre-anodized aluminum (Coilzak or equal), rails hemmed over and housing ends turned-in for safe handling.

Finish: **Louver**—semi-specular anodized low iridescence, vertical grain reflector sheet. **Cavity**—white baked polyester minimum 86% reflectance. Phosphate undercoating. **Chassis exterior**—black baked polyester enamel.

Electrical: Thermally protected class "P" ballast C.B.M. approved, non PCB. If K.O. is within 3" of ballast, use wire suitable for at least 90°.

Labels: I.B.E.W./UL and ULc Listed.

Job Information

Type:

Lightolier a Genlyte Thomas Company www.lightolier.com
Technical Information: (978) 657-7600 • Fax (978) 658-0595
631 Airport Road, Fall River, MA 02720 • (508) 679-8131 • Fax (508) 674-4710
We reserve the right to change details of design, materials and finish.
© 2003 Genlyte Thomas Group LLC (Lightolier Division)
A0902 **Section 2/Folio G50-55 Rev. A**

