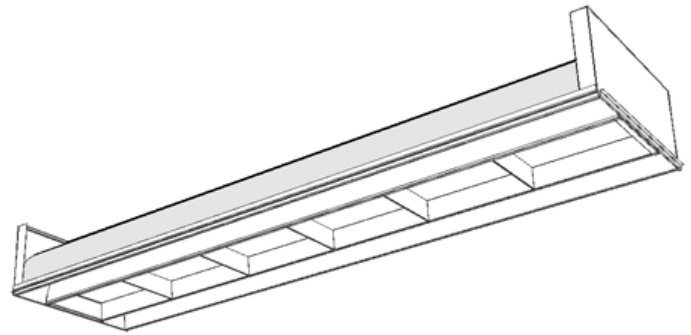
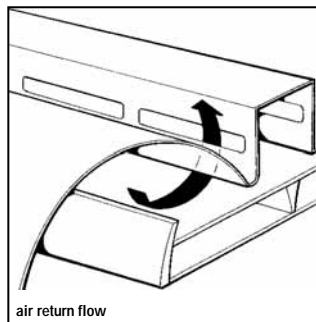
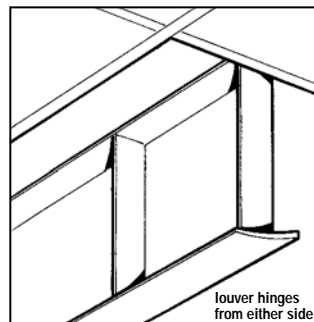
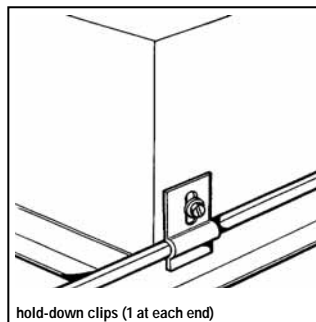
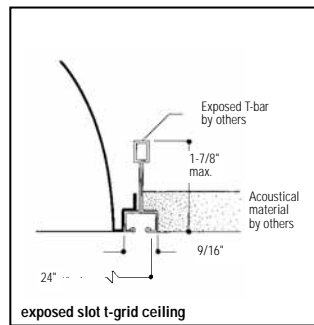
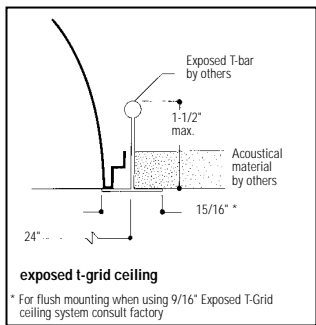


Features

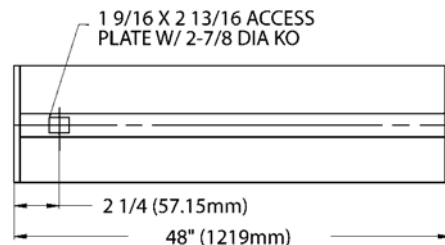
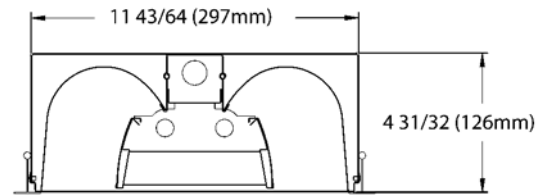
- Direct/indirect louver appearance with soft contoured interior.
- 6 cell flat white louver with lens overlay.
- Air return models meet UL 1598, Paragraph 12.2.2.3 requirements.
- 68.1% efficient (2 lamp T5 W lens).
- 71.6% efficient (2 lamp T5 V lens).
- Only 4-31/32" deep.
- Same fixture fits both G and T ceiling types.
- Fits flush to face of slot grid (T) ceiling.
- Static, optional.
- Louver hinges from either side.
- End of louver gasketed to eliminate light leak.
- Can be continuous row mounted.
- Wiring access plate standard.
- Meets NYC Code requirements.
- Construction to meet Chicago Plenum requirement is available.



Mounting Methods



Dimensions



Job Information

Type:

Job Name:

Cat. No.:

Lamp(s):

Volts/Ballast:

For Factory Technical Information: (978) 657-7600 • Fax (978) 658-0595
631 Airport Road, Fall River, MA 02720 • (508) 679-8131 • Fax (508) 674-4710
We reserve the right to change details of design, materials and finish.
www.lightolier.com © 2008 a Philips Group

05/08

Section 5/Folio M10-14

Direct/Indirect 1' x 4' Recessed Fluorescent 6 Cell White Parabolic Louver With Lens Overlay, 1 Lamp or 2 Lamp T5

Model No. PPH1G6FW228UNVPG

LER = FP - 72.9 IW - 62.6 BF - 1.0
Comparative yearly lighting energy cost per
1000 lumens = \$3.29

Report Number: G2007126
Catalog Number: PPH1G6FW228UNVPG
Lamps: (2) F28/T5
Luminaire: Paraplus with white painted
interior, white painted 6 cell parabolic
louver with .140 prismatic overlay
Ballast: B228PUNV95-D
Report is based on 2900 Lumens per lamp.
Efficiency: 68.1%
CIE Type-Direct-Indirect
Plane: 0-Deg 90-Deg
Spacing Criteria: 1.1 1.0
Shielding Angles: 90 90
Plane: 0-Deg 90-Deg
Luminous Length: 47.040 11.040

CANDELA DISTRIBUTION

	0.0	45.0	90.0	FLUX
0	1939	1939	1939	
5	1902	1924	1944	182
15	1708	1708	1704	481
25	1462	1443	1422	665
35	1256	1172	1140	741
45	1034	890	826	699
55	795	599	597	577
65	534	364	325	388
75	252	148	130	177
85	41	34	32	38
90	3	3	3	

ZONAL LUMEN SUMMARY

ZONE	LUMENS	% LAMP	% FIXT
0- 30	1328	22.9	33.6
0- 40	2069	35.7	52.4
0- 60	3346	57.7	84.7
0- 90	3949	68.1	100.0
90-180	0	0.0	0.0
0-180	3949	68.1	100.0

LUMINANCE DATA IN CANDELA/SQ. METER

AVERAGE IN DEG.	AVERAGE 0-DEG.	AVERAGE 45-DEG.	AVERAGE 90-DEG.
45	4363.	3755.	3485.
55	4135.	3116.	3105.
65	3770.	2570.	2294.
75	2905.	1706.	1499.
85	1404.	1164.	1095.

COEFFICIENTS OF UTILIZATION - ZONAL CAVITY METHOD. EFFECTIVE FLOOR CAVITY REFLECTANCE 0.20

RC	80	50	30
1	72	72	69
2	69	64	59
3	63	56	51
4	58	50	45
5	54	45	40
6	50	41	35
7	46	38	32
8	43	35	29
9	41	32	26
10	38	29	24

Model No. PPH1G6FV228UNVPG

LER = FP - 66.3 IW - 62.5 BF - 1.0
Comparative yearly lighting energy cost per
1000 lumens = \$3.62

Report Number: G2007127
Catalog Number: PPH1G6FV228UNVPG
Lamps: (2) F28/T5
Luminaire: Paraplus with white painted
interior, white painted 6 cell parabolic
louver with .095 prismatic overlay.
Ballast: B228PUNV95-D
Report is based on 2900 Lumens per lamp.
Efficiency: 71.6%
CIE Type-Direct-Indirect
Plane: 0-Deg 90-Deg
Spacing Criteria: 1.2 1.1
Shielding Angles: 90 90
Plane: 0-Deg 90-Deg
Luminous Length: 47.040 11.040

CANDELA DISTRIBUTION

	0.0	45.0	90.0	FLUX
0	1832	1832	1832	
5	1797	1819	1834	173
15	1695	1719	1730	484
25	1536	1538	1537	708
35	1330	1284	1216	800
45	1090	964	882	752
55	825	648	629	615
65	541	385	323	400
75	251	156	138	182
85	41	34	33	39
90	3	3	3	

COEFFICIENTS OF UTILIZATION - ZONAL CAVITY METHOD. EFFECTIVE FLOOR CAVITY REFLECTANCE 0.20

RC	80	50	30
1	79	76	73
2	72	67	62
3	66	59	54
4	61	53	47
5	56	48	42
6	52	43	37
7	49	39	33
8	45	36	30
9	42	33	27
10	40	31	25

ZONAL LUMEN SUMMARY

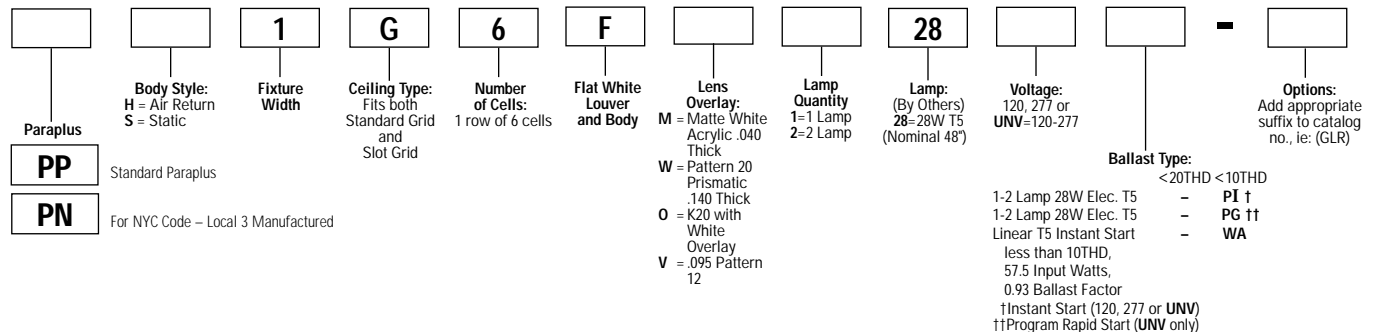
ZONE	LUMENS	% LAMP	% FIXT
0- 30	1365	23.5	32.9
0- 40	2164	37.3	52.1
0- 60	3532	60.9	85.0
0- 90	4154	71.6	100.0
90-180	0	0.0	0.0
0-180	4154	71.6	100.0

LUMINANCE DATA IN CANDELA/SQ. METER

AVERAGE IN DEG.	AVERAGE 0-DEG.	AVERAGE 45-DEG.	AVERAGE 90-DEG.
45	4599.	4068.	3722.
55	4291.	3371.	3272.
65	3819.	2718.	2280.
75	2893.	1798.	1591.
85	1404.	1164.	1130.

Ordering Information

Explanation of Catalog Number. Example: PPH1G6FW228UNVPG



Options/Accessories

Fusing: Internal fast blow fusing: SUFFIX: GLR.
Internal slow blow fusing: SUFFIX: GMF.

Drywall Kit: Order Catalog Number: FK91X4.

Electrical Wiring Options: Consult factory.

Chicago Plenum: SUFFIX: C.

Specifications

Performance: In an installation of 2 lamp 28W luminaires in a room cavity ratio of 1, with reflectance 80% ceiling, 50% wall, 20% floor, the C.U. shall not be less than .76. To reduce glare the average brightness at 65° shall not exceed 2280 candelas per square meter. To control veiling reflections, luminaire output in the 30°-90° zone shall not be less than 67.1%.

Materials: Chassis parts are die-formed 20 gauge steel. Housing has all edges turned for safe-handling.

Finish: Chassis exterior - baked white powder coated polyester enamel.

Cavity - baked white powder coated polyester enamel. **Louver** - baked white powder coated polyester enamel, minimum 86% reflectance. Rust preventative undercoating.

Specifications (continued)

Overlay: M=Matte white acrylic .040 thick. W=Pattern 20 prismatic .140 thick. O=K20 with white overlay. V=.095 acrylic pattern 12.

Electrical: Thermally protected class "P" ballast C.B.M. approved, non PCB. If K.O. is within 3" of ballast, use wire suitable for at least 90°.

UL Listed for damp locations.

Labels: I.B.E.W./UL and ULc Listed.

This product may have a mercury containing lamp. Manage in accord with Disposal Laws. See: www.lamprecycle.org

Job Information

Type:

For Factory Technical Information: (978) 657-7600 • Fax (978) 658-0595
631 Airport Road, Fall River, MA 02720 • (508) 679-8131 • Fax (508) 674-4710
We reserve the right to change details of design, materials and finish.
www.lightolier.com © 2008 a Philips Group

Section 5/Folio M10-14