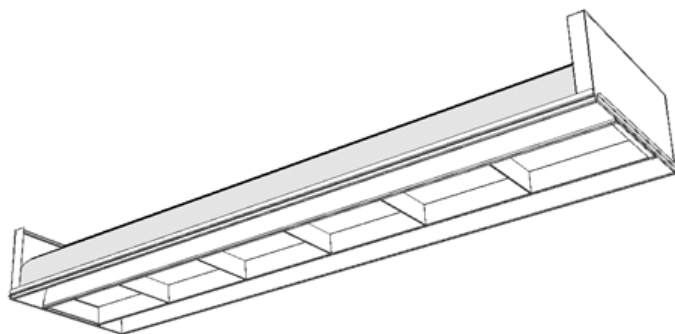


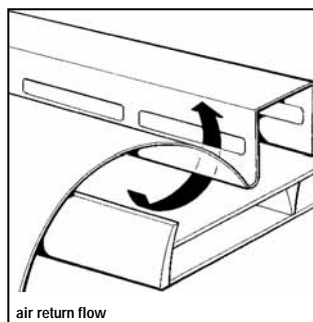
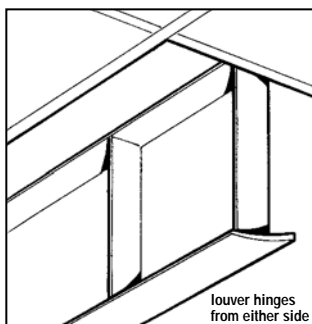
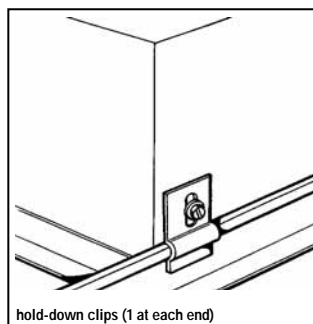
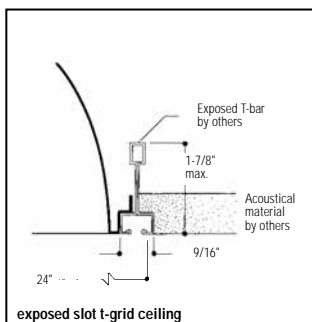
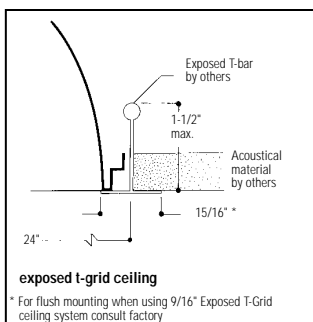
Direct/Indirect 1' x 4' Recessed Fluorescent 6 Cell White Parabolic Louver With Lens Overlay, 1 Lamp or 2 Lamp T8

Features

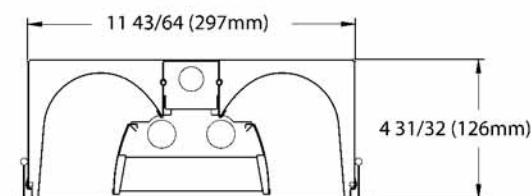
- Direct/indirect louver appearance with soft contoured interior.
- 6 cell flat white louver with lens overlay.
- Air return models meet UL 1598, Paragraph 12.2.2.3 requirements.
- 60.2% efficient (2 lamp T8 W lens).
- 63.6% efficient (2 lamp T8 V lens).
- Only 4-31/32" deep.
- Same fixture fits both G and T ceiling types.
- Fits flush to face of slot grid (T) ceiling.
- Static, optional.
- Louver hinges from either side.
- End of louver gasketed to eliminate light leak.
- Can be continuous row mounted.
- Wiring access plate standard.
- Meets NYC Code requirements.
- Construction to meet Chicago Plenum requirement is available.



Mounting Methods



Dimensions



Job Information

Type:

Job Name:

Cat. No.:

Lamp(s):

Volts/Ballast:

For Factory Technical Information: (978) 657-7600 • Fax (978) 658-0595
631 Airport Road, Fall River, MA 02720 • (508) 679-8131 • Fax (508) 674-4710
We reserve the right to change details of design, materials and finish.
www.lightolier.com © 2008 a Philips Group

05/08

Section 5/Folio M10-12 Rev. A

Direct/Indirect 1' x 4' Recessed Fluorescent 6 Cell White Parabolic Louver With Lens Overlay, 1 Lamp or 2 Lamp T8

Model No. PPH1G6FW232UNVHI

LER = FP - 46.6 IW - 64.1 BF - 0.87
Comparative yearly lighting energy cost per 1000 lumens = \$5.15

Report Number: G01076
Catalog Number: PPH1G6FW232120SO
Lamps: (2) F32/T8
Luminaire: Paraplus with white painted interior, white painted 6 cell parabolic louver with .140 prismatic overlay
Ballast: Howard Industries E3-32/120
Report is based on 2850 Lumens per lamp.
Efficiency: 60.2%
CIE Type-Direct-Indirect
Plane: 0-Deg 90-Deg
Spacing Criteria: 1.2 1.1
Shielding Angles: 90 90
Plane: 0-Deg 90-Deg
Luminous Length: 46.920 10.920

CANDELA DISTRIBUTION

	0.0	45.0	90.0	FLUX
0	1701	1701	1701	
5	1673	1686	1699	160
15	1583	1583	1583	447
25	1444	1393	1376	646
35	1235	1154	1146	734
45	920	829	726	631
55	550	419	356	404
65	347	220	198	251
75	183	106	91	125
85	36	27	25	32
90	0	0	0	

ZONAL LUMEN SUMMARY

ZONE	LUMENS	% LAMP	% FIXT
0- 30	1253	22.0	36.5
0- 40	1987	34.9	57.9
0- 60	3021	53.0	88.1
0- 90	3429	60.2	100.0
90-180	0	0.0	0.0
0-180	3429	60.2	100.0

LUMINANCE DATA IN CANDELA/SQ. METER

AVERAGE IN DEG.	AVERAGE 0-DEG.	AVERAGE 45-DEG.	AVERAGE 90-DEG.
45	3935.	3545.	3105.
55	2900.	2209.	1877.
65	2483.	1574.	1417.
75	2138.	1239.	1063.
85	1249.	937.	867.

COEFFICIENTS OF UTILIZATION - ZONAL CAVITY METHOD. EFFECTIVE FLOOR CAVITY REFLECTANCE 0.20

RC	80	50	30
RW 70	50	30	10
1	66	64	62
2	61	57	54
3	57	51	47
4	52	46	41
5	49	42	37
6	45	38	33
7	42	35	30
8	39	32	27
9	37	29	25
10	35	27	23

Model No. PPH1G6FV232UNVHI

LER = FP - 56.1 IW - 56.9 BF - 0.88
Comparative yearly lighting energy cost per 1000 lumens = \$4.28

Report Number: G2007095
Catalog Number: PPH1G6FV232UNVHI
Lamps: (2) F32/T8
Luminaire: Paraplus with white painted interior, white painted 6 cell parabolic louver with .095 prismatic overlay.
Ballast: B232IUNVHP-B (Triad)
Report is based on 2850 Lumens per lamp.
Efficiency: 63.6%
CIE Type-Direct-Indirect
Plane: 0-Deg 90-Deg
Spacing Criteria: 1.2 1.1
Shielding Angles: 90 90
Plane: 0-Deg 90-Deg
Luminous Length: 47.040 11.040

CANDELA DISTRIBUTION

	0.0	45.0	90.0	FLUX
0	1612	1612	1612	
5	1582	1600	1613	152
15	1488	1511	1526	426
25	1341	1348	1340	620
35	1155	1119	1065	697
45	939	843	790	660
55	709	573	540	534
65	464	330	275	343
75	218	134	119	158
85	40	31	29	36
90	0	0	0	

ZONAL LUMEN SUMMARY

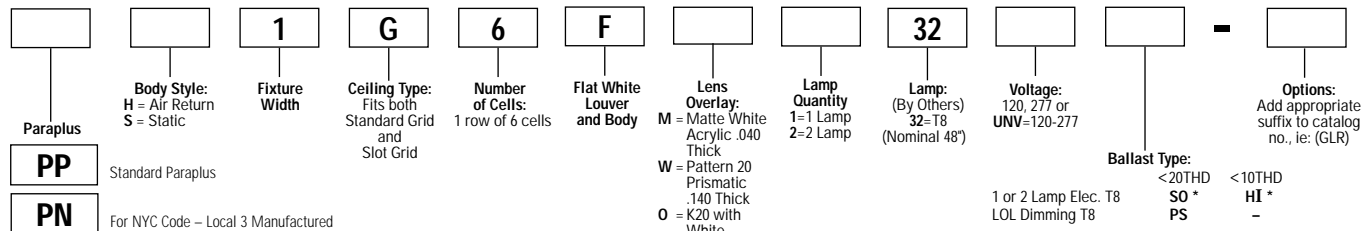
ZONE	LUMENS	% LAMP	% FIXT
0- 30	1197	21.0	33.0
0- 40	1894	33.2	52.2
0- 60	3088	54.2	85.2
0- 90	3625	63.6	100.0
90-180	0	0.0	0.0
0-180	3625	63.6	100.0

LUMINANCE DATA IN CANDELA/SQ. METER

AVERAGE IN DEG.	AVERAGE 0-DEG.	AVERAGE 45-DEG.	AVERAGE 90-DEG.
45	3962.	3557.	3333.
55	3688.	2981.	2809.
65	3276.	2330.	1941.
75	2513.	1545.	1372.
85	1369.	1061.	993.

Ordering Information

Explanation of Catalog Number. Example: PPH1G6FW232UNVHI



Options/Accessories

Fusing: Internal fast blow fusing: SUFFIX: **GLR**.
Internal slow blow fusing: SUFFIX: **GMF**.

Drywall Kit: Order Catalog Number: **FK91XA**.

Electrical Wiring Options: Consult factory.

Chicago Plenum: SUFFIX: **C**.

Specifications

Performance: In an installation of 2 lamp 32W luminaires in a room cavity ratio of 1, with reflectance 80% ceiling, 50% wall, 20% floor, the C.U. shall not be less than .67. To reduce glare the average brightness at 65° shall not exceed 1941 candelas per square meter. To control veiling reflections, luminaire output in the 30°-90° zone shall not be less than 63.5%.

Materials: Chassis parts are die-formed 20 gauge steel. **Housing** has all edges turned for safe-handling.

Finish: Chassis exterior - baked white powder coated polyester enamel.

Cavity - baked white powder coated polyester enamel. **Louver** - baked white powder coated polyester enamel, minimum 86% reflectance. Rust preventative undercoating.

Specifications (continued)

Overlay: M=Matte white acrylic .040 thick. W=Pattern 20 prismatic .140 thick. O=K20 with white overlay. V=.095 acrylic pattern 12.

Electrical: Thermally protected class "P" ballast C.B.M. approved, non PCB. If K.O. is within 3" of ballast, use wire suitable for at least 90°.

UL Listed for damp locations.

Labels: I.B.E.W./UL and ULc Listed.

This product may contain a mercury containing lamp. Manage in accord with Disposal Laws. See: www.lamprecycle.org

Job Information

Type:

For Factory Technical Information: (978) 657-7600 • Fax (978) 658-0595
631 Airport Road, Fall River, MA 02720 • (508) 679-8131 • Fax (508) 674-4710

We reserve the right to change details of design, materials and finish.

www.lightolier.com © 2008 a Philips Group

Section 5/Folio M10-12 Rev. A