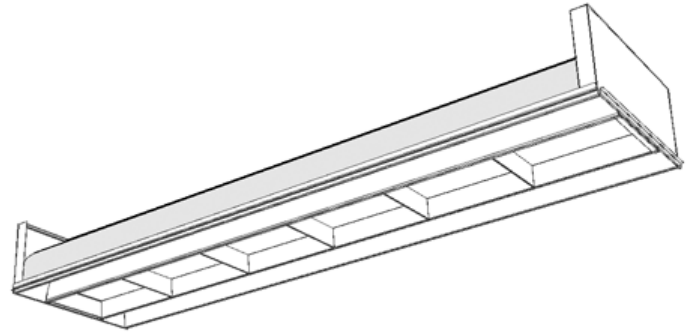
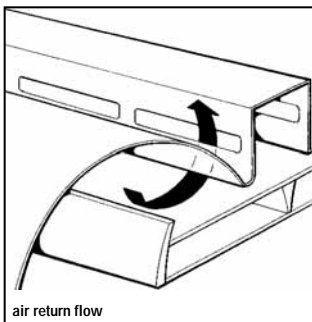
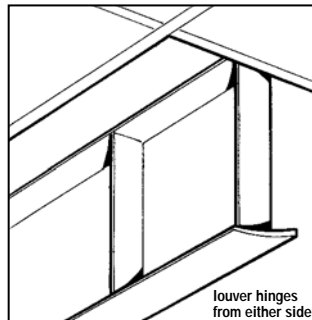
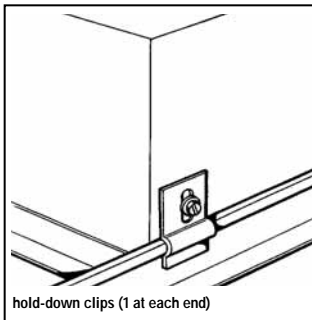
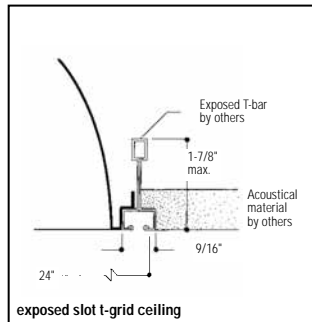
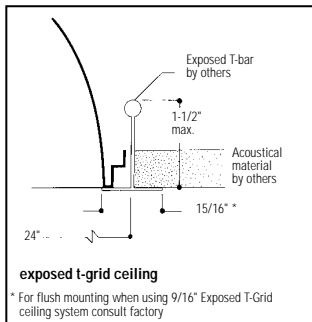


## Features

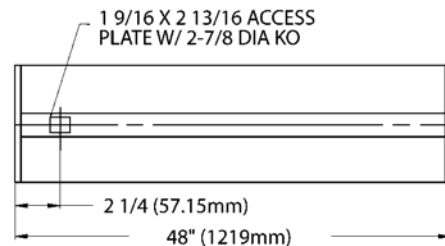
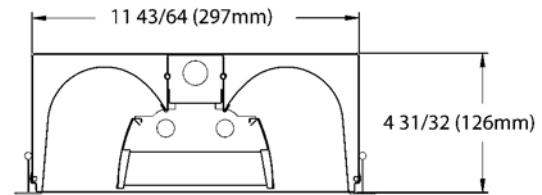
- Direct/indirect louver appearance with soft contoured interior.
- 6 cell flat white louver with lens overlay.
- Air return models meet UL 1598, Paragraph 12.2.2.3 requirements.
- 67.5% efficient (1 lamp T5HO).
- 71.4% efficient (2 lamp T5HO).
- Only 4-31/32" deep.
- Same fixture fits both G and T ceiling types.
- Fits flush to face of slot grid (T) ceiling.
- Static, optional.
- Louver hinges from either side.
- End of louver gasketed to eliminate light leak.
- Can be continuous row mounted.
- Wiring access plate standard.
- Meets NYC Code requirements.
- Construction to meet Chicago Plenum requirement is available.



## Mounting Methods



## Dimensions



## Job Information

## Type:

**Job Name:**

**Cat. No.:**

**Lamp(s):**

**Volts/Ballast:**

For Factory Technical Information: (978) 657-7600 • Fax (978) 658-0595  
631 Airport Road, Fall River, MA 02720 • (508) 679-8131 • Fax (508) 674-4710  
We reserve the right to change details of design, materials and finish.  
www.lightolier.com © 2008 a Philips Group

05/08

Section 5/Folio M10-10 Rev. A

Direct/Indirect 1' x 4' Recessed Fluorescent  
6 Cell White Parabolic Louver With Lens Overlay, 1 Lamp or 2 lamp T5HO

**Model No. PPH1G6FW154120PG**

LER = FP - 50.2 IW - 60.7 BF - 1.0  
Comparative yearly lighting energy cost per  
1000 lumens = \$4.78

Report Number: G02027  
Catalog Number: PPH1G6FW154120PG  
Lamps: FP54/830 HO  
Luminaire: Paraplus with white painted  
interior, white painted 6 cell parabolic  
louver with prismatic overlay  
Ballast: Quicktronic QT1X54/120 PHO  
Report is based on 5000 Lumens per lamp.  
Efficiency: 67.5%  
CIE Type-Direct-Indirect  
Plane: 0-Deg 90-Deg  
Spacing Criteria: 1.2 1.2  
Shielding Angles: 90 90  
Plane: 0-Deg 90-Deg  
Luminous Length: 46.920 10.920

**CANDELA DISTRIBUTION**

	0.0	45.0	90.0	FLUX
0	1639	1639	1639	
5	1613	1631	1648	155
15	1534	1569	1602	444
25	1420	1448	1471	666
35	1250	1208	1042	731
45	955	754	621	591
55	554	370	323	380
65	354	211	201	244
75	189	109	97	129
85	38	30	30	36
90	0	0	0	

**ZONAL LUMEN SUMMARY**

ZONE	LUMENS	% LAMP	% FIXT
0- 30	1265	25.3	37.5
0- 40	1997	39.9	59.1
0- 60	2968	59.4	87.9
0- 90	3377	67.5	100.0
90-180	0	0.0	0.0
0-180	3377	67.5	100.0

**LUMINANCE DATA IN CANDELA/SQ. METER**

AVERAGE IN DEG.	AVERAGE 0-DEG.	AVERAGE 45-DEG.	AVERAGE 90-DEG.
45	4084.	3225.	2656.
55	2921.	1951.	1703.
65	2533.	1510.	1438.
75	2208.	1274.	1133.
85	1319.	1041.	1041.

**COEFFICIENTS OF UTILIZATION –  
ZONAL CAVITY METHOD. EFFECTIVE  
FLOOR CAVITY REFLECTANCE 0.20**

RC	80	50	30
RW	70	50	30
1	75	72	69
2	69	64	60
3	64	57	53
4	59	52	46
5	55	47	41
6	51	43	37
7	47	39	34
8	44	36	31
9	42	33	28
10	39	31	26

**Model No. PPH1G6FW254120PG**

LER = FP - 59.2 IW - 120.3 BF - 1.0  
Comparative yearly lighting energy cost per  
1000 lumens = \$4.05

Report Number: G02024  
Catalog Number: PPH1G6FW254120PG  
Lamps: FP54/835/HO  
Luminaire: Paraplus with white painted  
interior, white painted 6 cell parabolic  
louver with prismatic overlay.  
Ballast: Sylvania QT 2X54/120PHO  
Report is based on 5000 Lumens per lamp.  
Efficiency: 71.4%  
CIE Type-Direct-Indirect  
Plane: 0-Deg 90-Deg  
Spacing Criteria: 1.2 1.1  
Shielding Angles: 90 90  
Plane: 0-Deg 90-Deg  
Luminous Length: 46.920 10.920

**CANDELA DISTRIBUTION**

	0.0	45.0	90.0	FLUX
0	3647	3647	3647	
5	3588	3613	3641	343
15	3398	3404	3415	961
25	3118	2996	2883	1378
35	2684	2387	2356	1542
45	1947	1675	1446	1293
55	1132	826	703	810
65	723	432	398	503
75	371	209	180	247
85	63	51	50	63
90	0	0	0	

**ZONAL LUMEN SUMMARY**

ZONE	LUMENS	% LAMP	% FIXT
0- 30	2683	26.8	37.6
0- 40	4224	42.2	59.2
0- 60	6326	63.3	88.6
0- 90	7139	71.4	100.0
90-180	0	0.0	0.0
0-180	7139	71.4	100.0

**COEFFICIENTS OF UTILIZATION –  
ZONAL CAVITY METHOD. EFFECTIVE  
FLOOR CAVITY REFLECTANCE 0.20**

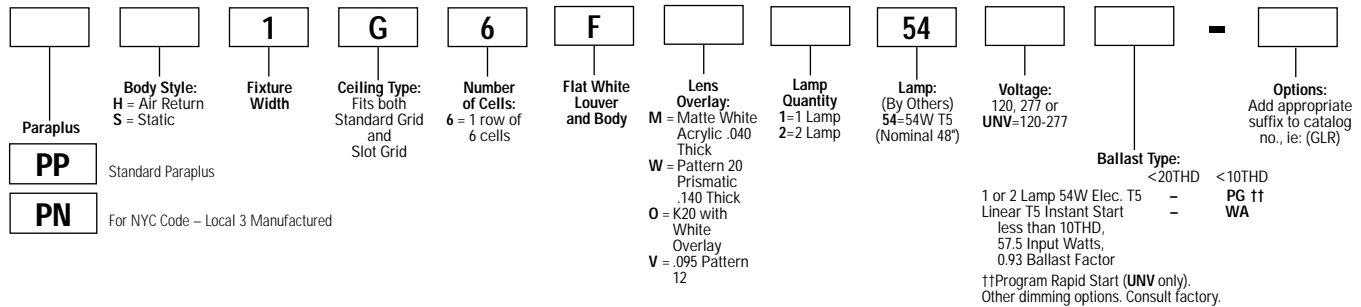
RC	80	50	30
RW	70	50	30
1	79	76	74
2	73	68	64
3	67	61	56
4	62	55	49
5	58	50	44
6	54	45	39
7	50	41	36
8	47	38	33
9	44	35	30
10	41	33	27

**LUMINANCE DATA IN CANDELA/SQ. METER**

AVERAGE IN DEG.	AVERAGE 0-DEG.	AVERAGE 45-DEG.	AVERAGE 90-DEG.
45	8327.	7163.	6184.
55	5968.	4355.	3706.
65	5173.	3091.	2848.
75	4335.	2442.	2103.
85	2186.	1770.	1735.

**Ordering Information**

Explanation of Catalog Number. Example: PPH1G6FW154120PG



**Options/Accessories**

**Fusing:** Internal fast blow fusing: SUFFIX: **GLR**.  
Internal slow blow fusing: SUFFIX: **GMF**.  
**Drywall Kit:** Order Catalog Number: **FK91X4**.  
**Electrical Wiring Options:** Consult factory.  
**Chicago Plenum:** SUFFIX: **C**.

**Specifications**

**Performance:** In an installation of 1 lamp 54W luminaires in a room cavity ratio of 1, with reflectance 80% ceiling, 50% wall, 20% floor, the C.U. shall not be less than .72. To reduce glare the average brightness at 65° shall not exceed 1438 candelas per square meter. To control veiling reflections, luminaire output in the 30°-90° zone shall not be less than 62.5%.  
**Materials:** Chassis parts are die-formed 20 gauge steel. Housing has all edges turned for safe-handling.  
**Finish:** Chassis exterior – baked white powder coated polyester enamel.  
**Cavity** – baked white powder coated polyester enamel. **Louver** – baked white

**Specifications (continued)**

powder coated polyester, minimum 86% reflectance. Rust preventative undercoating.  
**Overlay:** **M**=Matte white acrylic .040 thick. **W**=Pattern 20 prismatic .140 thick. **O**=K20 with white overlay. **V**=.095 acrylic pattern 12.  
**Electrical:** Thermally protected class "P" ballast C.B.M. approved, non PCB. If K.O. is within 3" of ballast, use wire suitable for at least 90°.  
UL Listed for damp locations.  
**Labels:** I.B.E.W./UL and ULc Listed.  
This product may have a mercury containing lamp. Manage in accord with Disposal Laws. See: www.lamprecycle.org

**Job Information** **Type:**

For Factory Technical Information: (978) 657-7600 • Fax (978) 658-0595  
631 Airport Road, Fall River, MA 02720 • (508) 679-8131 • Fax (508) 674-4710  
We reserve the right to change details of design, materials and finish.  
www.lightolier.com © 2008 a Philips Group **Section 5/Folio M10-10 Rev. A**