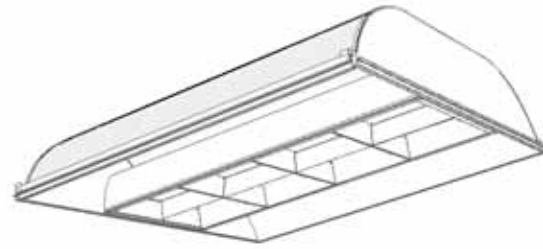


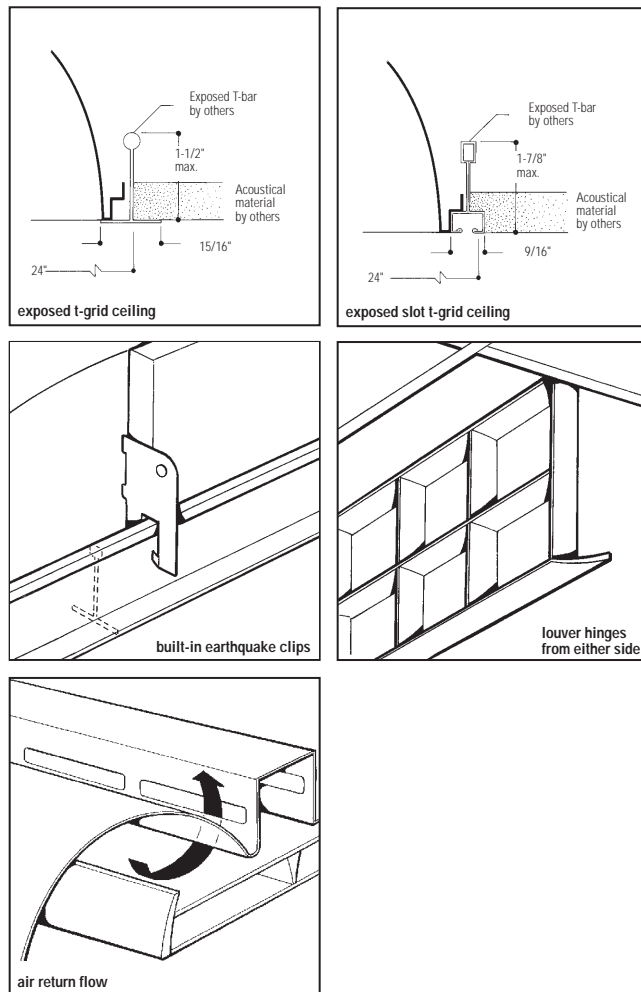
Direct/Indirect 2' x 2' Recessed Fluorescent 8 Cell White Parabolic Louver With Lens Overlay, 2 Lamp Twin Tube T5

Features

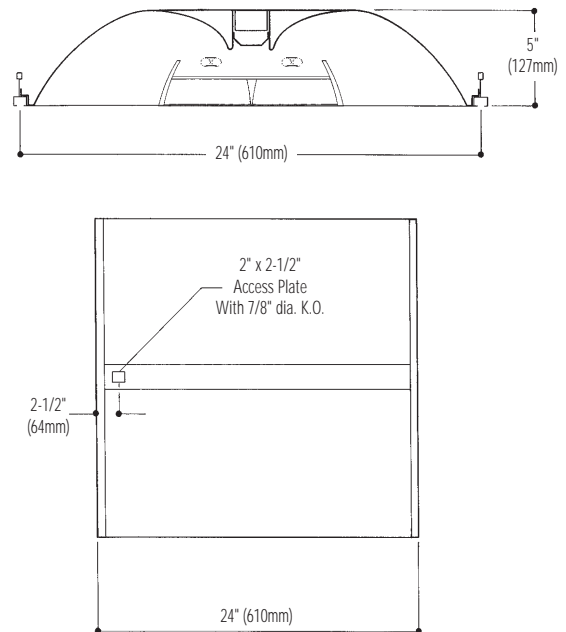
- Direct/indirect louver appearance with soft contoured interior.
- 8 cell flat white louver with lens overlay.
- Air return models meet UL 1598, Paragraph 9.2.2.5 requirements.
- 72.0% efficient (2 lamp T5).
- Only 5" deep.
- Same fixture fits both G and T ceiling types.
- Fits flush to face of slot grid (T) ceiling.
- Static, optional.
- Louver hinges from either side.
- End of louver gasketed to eliminate light leak.
- Built-in earthquake clips.
- Can be continuous row mounted.
- Wiring access plate standard.
- Meets NYC Code requirements.
- Construction to meet Chicago Plenum requirement is available.



Mounting Methods



Dimensions



Job Information

Type:

Job Name:

Cat. No.:

Lamp(s):

Volts/Ballast:

For Factory Technical Information: (978) 657-7600 • Fax (978) 658-0595
631 Airport Road, Fall River, MA 02720 • (508) 679-8131 • Fax (508) 674-4710
We reserve the right to change details of design, materials and finish.
www.lightolier.com © 2008 a Philips Group

05/08

Section 5/Folio M10-34

Direct/Indirect 2' x 2' Recessed Fluorescent 8 Cell White Parabolic Louver With Lens Overlay, 2 Lamp Twin Tube T5

Model No. PPH2G8FW2FT120SB

LER = FP - 51.2 IW - 72.6 BF - 0.82
Comparative yearly lighting energy cost per
1000 lumens = \$4.69

Report Number: ITL51534
Catalog Number: PPH2G8FW2FT120SB
Lamps: F40BX/SPX35/IS
Luminaire: Paraplus with white painted
interior, white painted 8 cell parabolic
louver with prismatic overlay.
Ballast: Advance RCN-2TTP40-SC
Report is based on 3150 Lumens per lamp.
Efficiency: 72.0%
CIE Type-Direct-Indirect
Plane: 0-Deg 90-Deg
Spacing Criteria: 1.2 1.3
Shielding Angles: 90 90
Plane: 0-Deg 90-Deg
Luminous Length: 22.920 22.920

CANDELA DISTRIBUTION

	0.0	45.0	90.0	FLUX
0	1978	1978	1978	
5	1962	1967	1973	187
15	1851	1886	1933	535
25	1688	1761	1882	818
35	1430	1566	1555	953
45	1081	1110	1082	840
55	646	624	625	587
65	379	399	383	388
75	179	155	141	181
85	43	39	38	47
90	0	0	0	

ZONAL LUMEN SUMMARY

ZONE	LUMENS	% LAMP	% FIXT
0- 30	1540	24.4	33.9
0- 40	2493	39.6	55.0
0- 60	3921	62.2	86.4
0- 90	4535	72.0	100.0
90-180	0	0.0	0.0
0-180	4535	72.0	100.0

LUMINANCE DATA IN CANDELA/SQ. METER

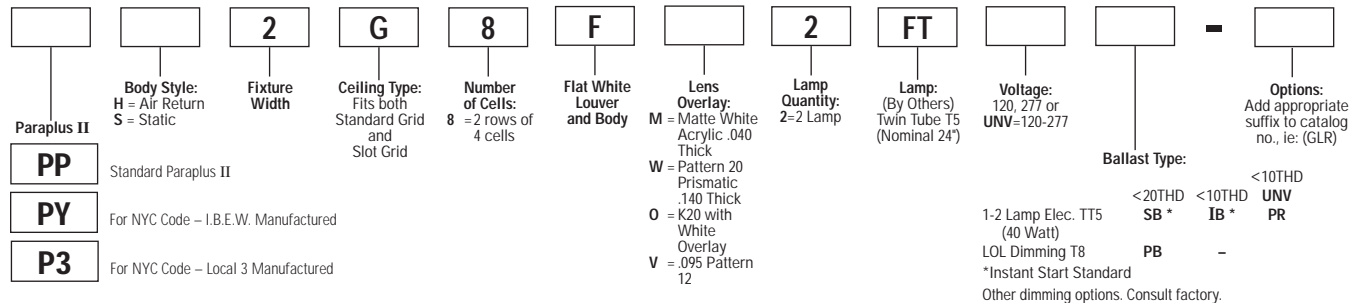
AVERAGE IN DEG.	AVERAGE 0-DEG.	AVERAGE 45-DEG.	AVERAGE 90-DEG.
45	4418	4536	4422
55	3255	3144	3154
65	2591	2728	2619
75	1999	1842	1574
85	1426	1293	1260

COEFFICIENTS OF UTILIZATION - ZONAL CAVITY METHOD. EFFECTIVE FLOOR CAVITY REFLECTANCE 0.20

RC	80	50	30
RW	70	50	30
1	79	76	74
2	73	68	63
3	67	60	55
4	62	54	48
5	57	49	43
6	53	44	38
7	49	40	34
8	46	37	31
9	43	34	28
10	41	31	26

Ordering Information

Explanation of Catalog Number. Example: PPH2G8FW2FT120SB



Options/Accessories

Fusing: Internal fast blow fusing: SUFFIX: GLR.
Internal slow blow fusing: SUFFIX: GMF.

Drywall Kit: Order Catalog Number: FK92X2 and CF2FK SPACER.

Electrical Wiring Options: Consult factory.

Chicago Plenum: SUFFIX: C.

Specifications

Performance: In an installation of 2 lamp 40W luminaires in a room cavity ratio of 1, with reflectance 80% ceiling, 50% wall, 20% floor, the C.U. shall not be less than .76. To reduce glare the average brightness at 65° shall not exceed 2728 candelas per square meter. To control veiling reflections, luminaire output in the 30°-90° zone shall not be less than 66.1%.

Materials: Chassis parts are die-formed code gauge steel. Housing has all edges turned for safe-handling.

Finish: Chassis exterior - baked white post painted acrylic enamel. Cavity - baked white post painted acrylic enamel. Louver - baked white post painted acrylic enamel, minimum 86% reflectance. Phosphate undercoating.

Specifications (continued)

Overlay: M=Matte white acrylic .040 thick. W=Pattern 20 prismatic .140 thick. O=K20 with white overlay. V=.095 acrylic pattern 12.

Electrical: Thermally protected class "P" ballast C.B.M. approved, non PCB. If K.O. is within 3" of ballast, use wire suitable for at least 90°.

UL Listed for damp locations.

Labels: I.B.E.W./UL and ULc Listed.

This product may have a mercury containing lamp. Manage in accord with Disposal Laws. See: www.lamprecycle.org

Job Information

Type:

For Factory Technical Information: (978) 657-7600 • Fax (978) 658-0595
631 Airport Road, Fall River, MA 02720 • (508) 679-8131 • Fax (508) 674-4710
We reserve the right to change details of design, materials and finish.

www.lightolier.com © 2008 a Philips Group

Section 5/Folio M10-34