

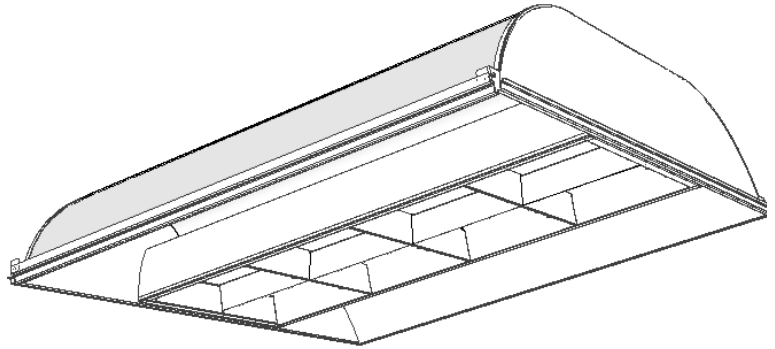
LIGHTOLIER® Paraplus II PPH2G8FW214 or 224

Page 1 of 2

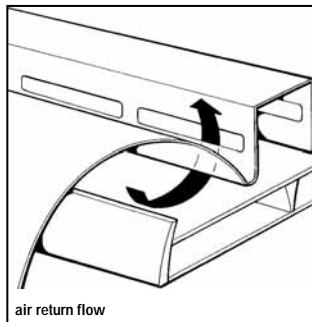
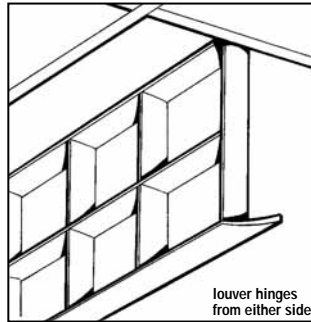
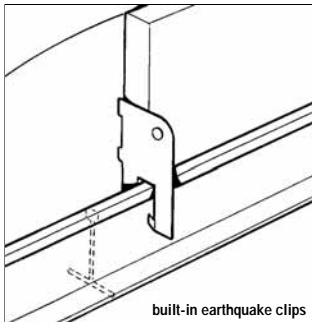
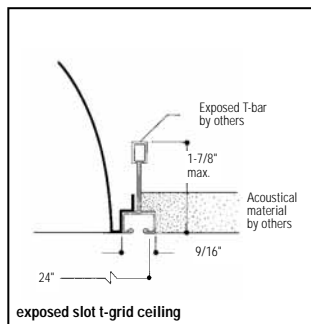
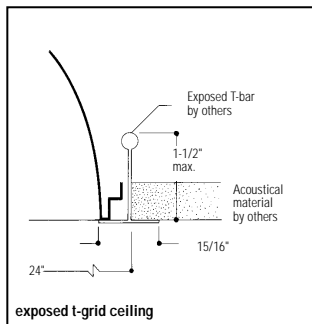
Direct/Indirect 2' x 2' Recessed Fluorescent
8 Cell White Louver With Lens Overlay, 2 Lamp T5

Features

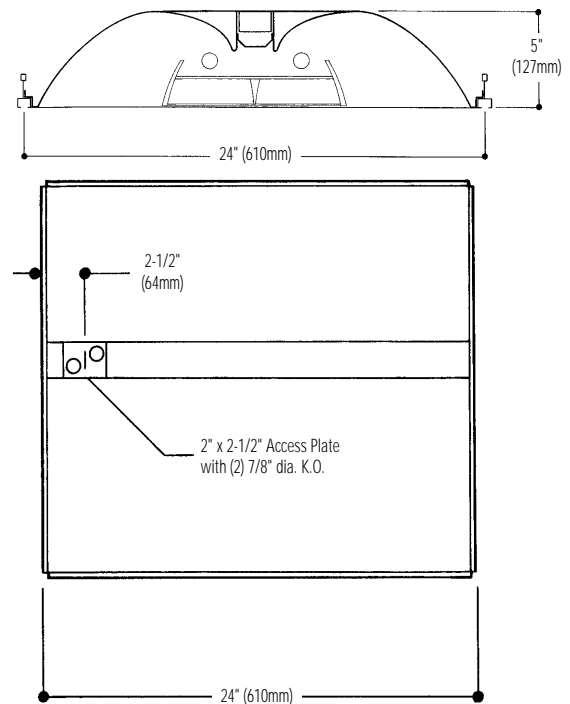
- Direct/indirect louver appearance with soft contoured interior.
- 8 cell flat white louver with lens overlay.
- Air return models meet UL 1598, Paragraph 9.2.2.5 requirements.
- 71.4% efficient (24 watt T5HO).
- Only 5" deep.
- Tension bars secure ends to body.
- Same fixture fits both G and T ceiling types.
- Fits flush to face of slot grid (T) ceiling.
- Static, optional.
- Louver hinges from either side.
- End of louver gasketed to eliminate light leak.
- Built-in earthquake clips.
- Can be continuous row mounted.
- Wiring access plate standard.
- Meets NYC Code requirements.
- Construction to meet Chicago Plenum requirement is available.



Mounting Methods



Dimensions



Job Information

Type:

Job Name:

Cat. No.:

Lamp(s):

Volts/Ballast:

For Factory Technical Information: (978) 657-7600 • Fax (978) 658-0595
631 Airport Road, Fall River, MA 02720 • (508) 679-8131 • Fax (508) 674-4710
We reserve the right to change details of design, materials and finish.
www.lightolier.com © 2008 a Philips Group

05/08

Section 5/Folio M10-30 Rev. A

LIGHTOLIER® Paraplug II PPH2G8FW214 or 224

Page 2 of 2

Direct/Indirect 2' x 2' Recessed Fluorescent
8 Cell White Louver With Lens Overlay, 2 Lamp T5

Model No. PPH2G8FW224120PG

LER = FP - 46.7 IW - 56.9 BF - 0.93
Comparative yearly lighting energy cost per
1000 lumens = \$5.14

Report Number: G01066
Catalog Number: PPH2G8FW224120PG
Lamps: FP24/835/HO
Luminaire: Paraplug with white painted
interior, white painted 8 cell parabolic
louver with prismatic overlay.
Ballast: Quicktronic QT2X39-24/120PHO
Report is based on 2000 Lumens per lamp.
Efficiency: 71.4%
CIE Type-Direct-Indirect
Plane: 0-Deg 90-Deg
Spacing Criteria: 1.2 1.2
Shielding Angles: 90 90
Plane: 0-Deg 90-Deg
Luminous Length: 22.920 22.920

CANDELA DISTRIBUTION

	0.0	45.0	90.0	FLUX
0	1282	1282	1282	
5	1271	1275	1281	121
15	1197	1219	1245	345
25	1084	1122	1193	521
35	915	981	913	588
45	661	707	734	523
55	397	386	410	365
65	241	247	257	247
75	117	105	91	114
85	30	27	25	31
90	0	0	0	

COEFFICIENTS OF UTILIZATION - ZONAL CAVITY METHOD, EFFECTIVE FLOOR CAVITY REFLECTANCE 0.20

RC	80	50	30
RW	70	50	30
1	79	76	73
2	72	67	63
3	67	60	54
4	61	54	48
5	57	48	42
6	53	44	38
7	49	40	34
8	46	37	31
9	43	34	28
10	40	31	26

ZONAL LUMEN SUMMARY

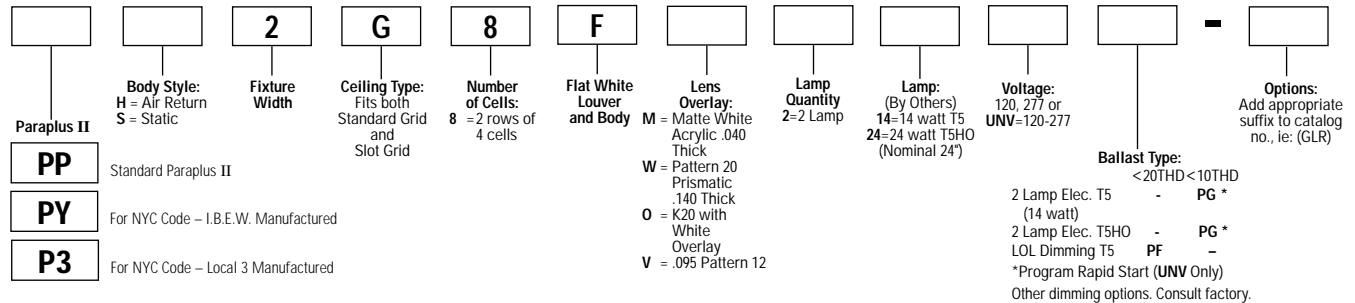
ZONE	LUMENS	% LAMP	% FIXT
0- 30	987	24.7	34.6
0- 40	1575	39.4	55.2
0- 60	2463	61.6	86.3
0- 90	2856	71.4	100.0
90-180	0	0.0	0.0
0-180	2856	71.4	100.0

LUMINANCE DATA IN CANDELA/SQ. METER

AVERAGE IN DEG.	AVERAGE 0-DEG.	AVERAGE 45-DEG.	AVERAGE 90-DEG.
45	2757.	2949.	3062.
55	2041.	1985.	2108.
65	1682.	1724.	1794.
75	1333.	1197.	1037.
85	1015.	914.	846.

Ordering Information

Explanation of Catalog Number. Example: PPH2G8FW224UNVPG



Options/Accessories

Fusing: Internal fast blow fusing: SUFFIX: GLR
Internal slow blow fusing: SUFFIX: GMF.

Drywall Kit: Order Catalog Number: FK92X2.

Electrical Wiring Options: Consult factory.

Chicago Plenum: SUFFIX C.

Specifications

Performance: In an installation of 2 lamp 24W luminaires in a room cavity ratio of 1, with reflectance 80% ceiling, 50% wall, 20% floor, the C.U. shall not be less than .76. To reduce glare the average brightness at 65° shall not exceed 1794 candelas per square meter. To control veiling reflections, luminaire output in the 30°-90° zone shall not be less than 65.4%.

Materials: Chassis parts are die-formed code gauge steel. Housing has all finishes turned for safe-handling.

Finish: Chassis exterior - baked white post painted acrylic enamel. Cavity - baked white post painted acrylic enamel. Louver - baked white post painted acrylic enamel, minimum 86% reflectance. Phosphate undercoating.

Specifications (continued)

Overlay: M=Matte white acrylic .040 thick. W=Pattern 20 prismatic .140 thick. O=K20 with white overlay. V=.095 acrylic pattern 12.

Electrical: Thermally protected class "P" ballast C.B.M. approved, non PCB. If K.O. is within 3" of ballast, use wire suitable for at least 90°.

UL Listed for damp locations.

Labels: I.B.E.W./UL and ULc Listed.

This product may have a mercury containing lamp. Manage in accord with Disposal Laws.

See: www.lamprecycle.org

Job Information

Type:

For Factory Technical Information: (978) 657-7600 • Fax (978) 658-0595
631 Airport Road, Fall River, MA 02720 • (508) 679-8131 • Fax (508) 674-4710

We reserve the right to change details of design, materials and finish.

www.lightolier.com © 2008 a Philips Group

Section 5/Folio M10-30 Rev. A