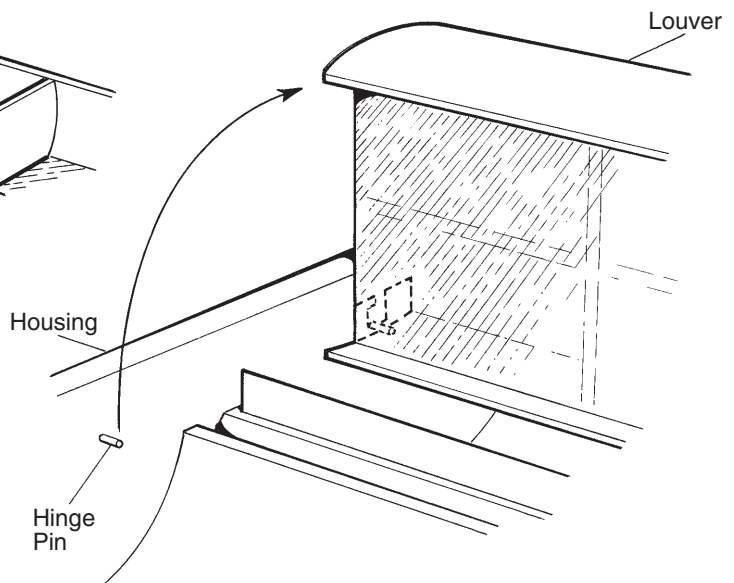
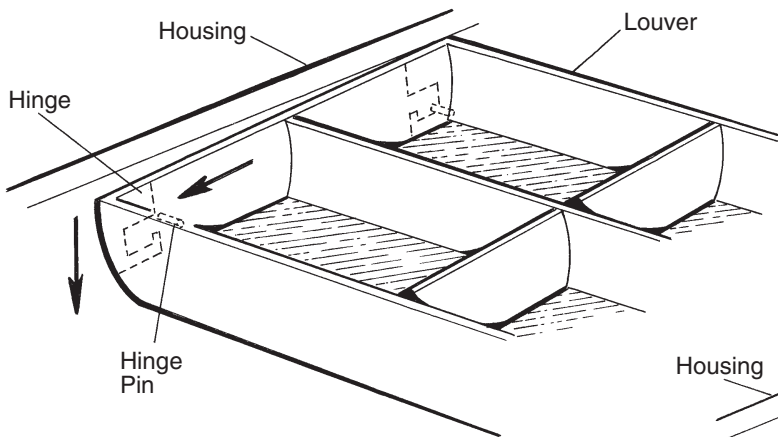
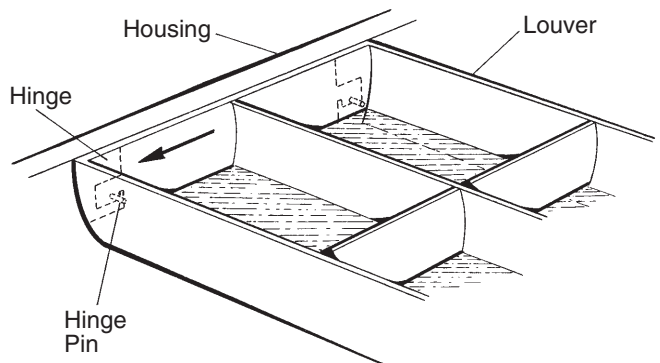


Lightolier

45 INDUSTRIAL WAY, WILMINGTON, MA 01887

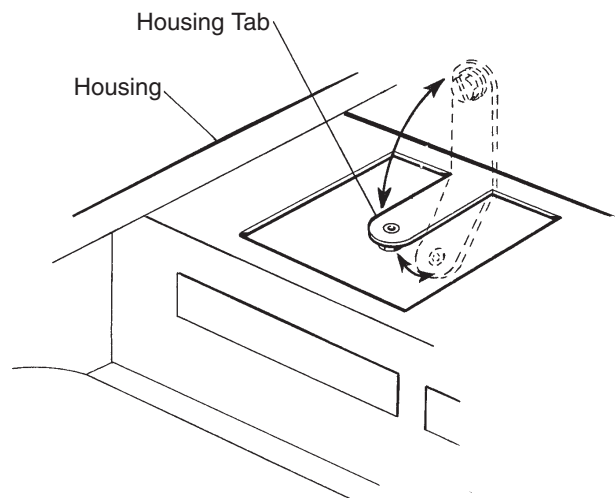
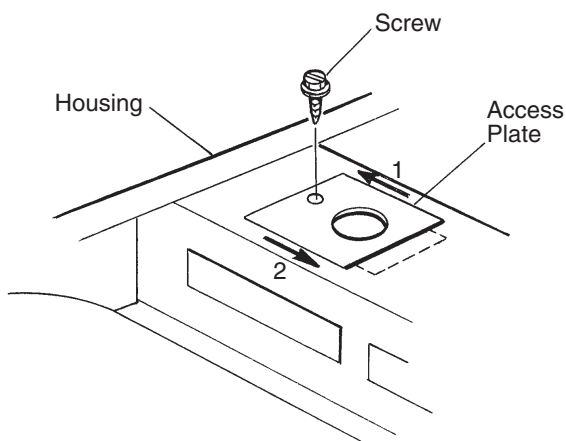
PARAPLUS (PPH), COFFAIRE (CFH) AND MINI-BEAM (MBS) INSTALLATION INSTRUCTIONS

- 1 IMPORTANT:** For Paraplus remove Louver before installing fixture into ceiling system. To remove Louver, shift Louver to begin opening for removal. Depress Louver as shown and pull Louver towards you to clear Hinge Pin. Rotate Louver up and remove. To replace Louver (when installation is complete) reverse the procedure.
- For Coffaire (CFH) and Mini-Beam (MBS) Lamp Shield does not have to be removed before installing fixture into ceiling system. See step 3.

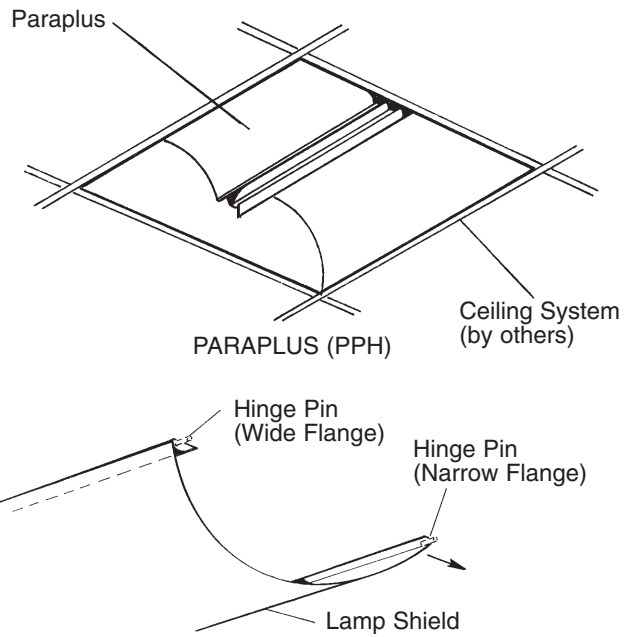
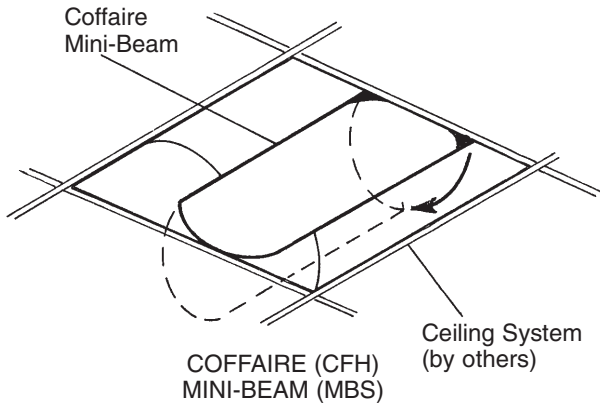


- 2** To remove Access Plate, remove Screw and slide Access Plate in the direction of arrow 1. Bend Housing Tab up to attach ground screw to green screw on Housing Tab. Then bend

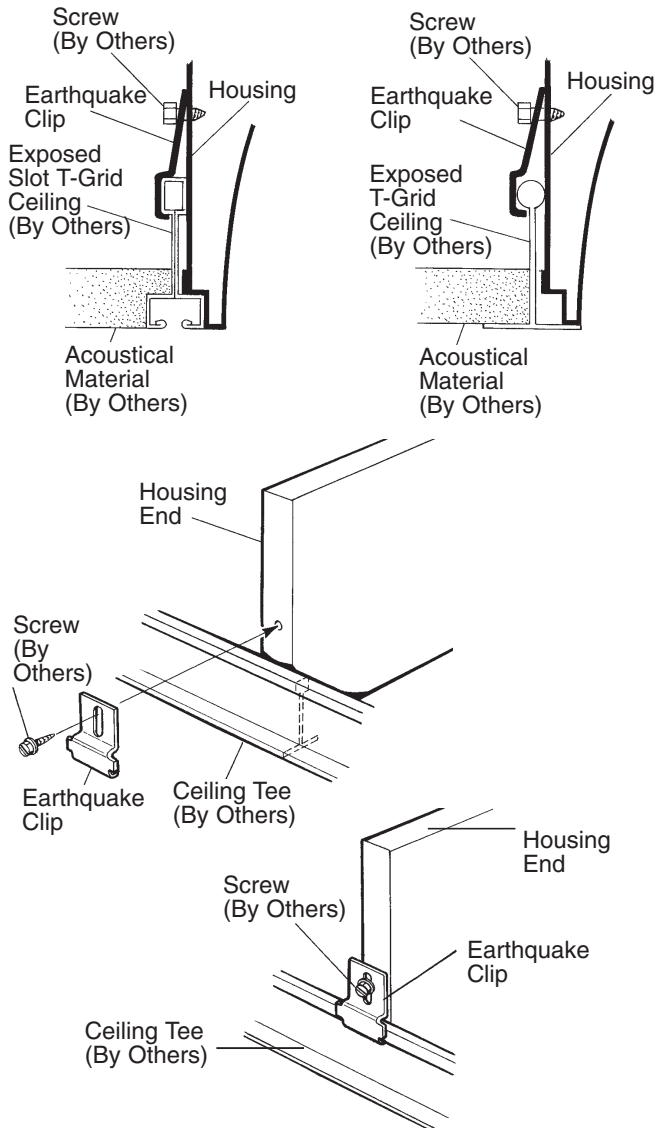
Housing Tab down into Housing as shown. Install Access Plate by sliding Access Plate in the direction of arrow 2. Secure with Screw.



- 3** Install fixture into Ceiling System (by others). For Coffaire (CFH) and Mini-Beam (MBS), open Lamp Shield by gripping Narrow Flange of Lamp Shield and pull Lamp Shield towards you, letting opposite side of Lamp Shield rest on Hinge Pins (Wide Flange).



- 4** Secure fixture to Ceiling System using Earthquake Clips (4 places) with Screw (by others).



- 5** Ballast compartment is accessed by removing ceiling tile adjacent to Mini-Beam. Remove Screws at each end of Ballast Cover. Lift Ballast Cover for easy access to Ballast. To replace Ballast Cover, reverse procedure.

