

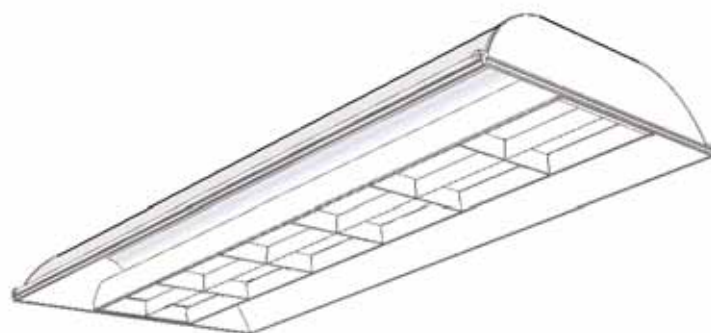
LIGHTOLIER® Paraplug II PPH2G12FW232 or 332

Page 1 of 2

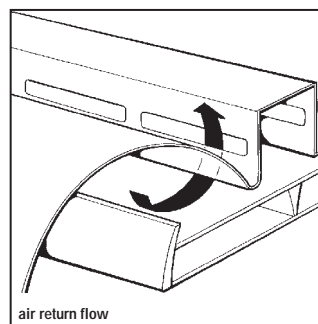
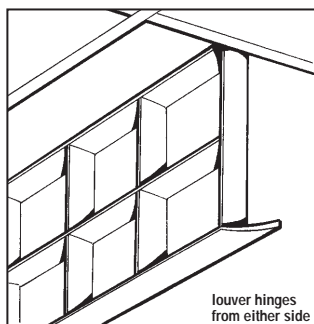
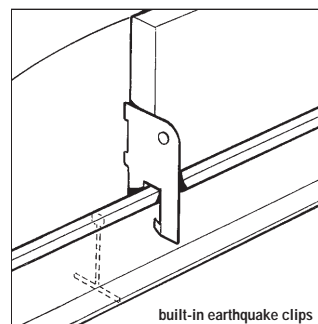
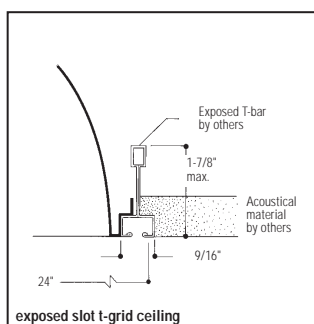
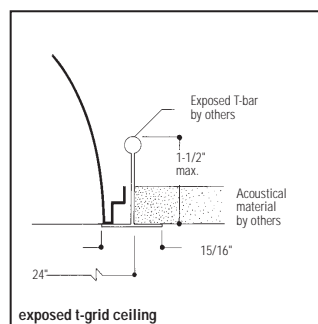
Direct/Indirect 2' x 4' Recessed Fluorescent
12 Cell White Louver With Lens Overlay, 2 or 3 Lamp T8

Features

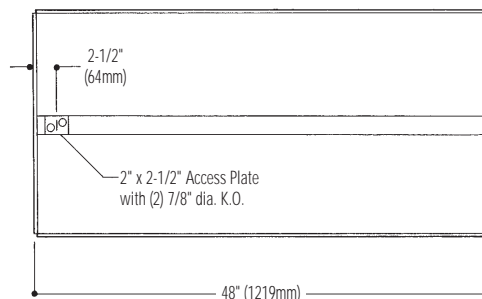
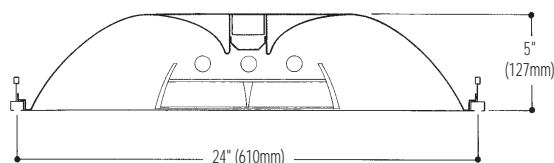
- Direct/indirect louver appearance with soft contoured interior.
- 12 cell flat white louver with lens overlay.
- Air return models meet UL 1598, Paragraph 9.2.2.5 requirements.
- 72.1% efficient (2 lamp T8).
- 67.8% efficient (3 lamp T8).
- Only 5" deep.
- Tension bars secure ends to body.
- Same fixture fits both G and T ceiling types.
- Fits flush to face of slot grid (T) ceiling.
- Static, optional.
- Louver hinges from either side.
- End of louver gasketed to eliminate light leak.
- Built-in earthquake clips.
- Can be continuous row mounted.
- Wiring access plate standard.
- Meets NYC Code requirements.
- Construction to meet Chicago Plenum requirement is available.



Mounting Methods



Dimensions



Job Information

Type:

Job Name:

Cat. No.:

Lamp(s):

Volts/Ballast:

For Factory Technical Information: (978) 657-7600 • Fax (978) 658-0595
631 Airport Road, Fall River, MA 02720 • (508) 679-8131 • Fax (508) 674-4710
We reserve the right to change details of design, materials and finish.
www.lightolier.com © 2008 a Philips Group

05/08

Section 5/Folio M10-42

LIGHTOLIER® Paraplus II PPH2G12FW232 or 332

Page 2 of 2

Direct/Indirect 2' x 4' Recessed Fluorescent
12 Cell White Louver With Lens Overlay, 2 or 3 Lamp T8

Model No. PPH2G12FW232120S0

LER = FP - 64.8 IW - 57.0 BF - 0.87
Comparative yearly lighting energy cost per
1000 lumens = \$3.70

Report Number: ITL51763
Catalog Number: PPH2G12FW232120S0
Lamps: F32T8/SPX35
Luminaire: Paraplus with white painted
interior, white painted 12 cell parabolic
louver with prismatic overlay.
Ballast: Howard Industries E2/32IS-120SC
Report is based on 2950 Lumens per lamp.
Efficiency: 72.1%
CIE Type-Direct-Indirect
Plane: 0-Deg 90-Deg
Spacing Criteria: 1.2 1.2
Shielding Angles: 90 90
Plane: 0-Deg 90-Deg
Luminous Length: 46.920 22.920

CANDELA DISTRIBUTION

	0.0	45.0	90.0	FLUX
0	1814	1814	1814	
5	1804	1806	1805	172
15	1718	1739	1758	492
25	1581	1615	1677	748
35	1368	1393	1323	860
45	1045	1070	1051	796
55	637	598	603	562
65	392	392	379	391
75	205	166	139	191
85	43	38	37	45
90	0	0	0	

ZONAL LUMEN SUMMARY

ZONE	LUMENS	% LAMP	% FIXT
0- 30	1412	23.9	33.2
0- 40	2272	38.5	53.4
0- 60	3630	61.5	85.3
0- 90	4256	72.1	100.0
90-180	0	0.0	0.0
0-180	4256	72.1	100.0

LUMINANCE DATA IN CANDELA/SQ. METER

AVERAGE IN DEG.	AVERAGE 0-DEG.	AVERAGE 45-DEG.	AVERAGE 90-DEG.
45	2113.	2163.	2125.
55	1588.	1465.	1503.
65	1326.	1326.	1282.
75	1132.	917.	768.
85	705.	623.	607.

COEFFICIENTS OF UTILIZATION - ZONAL CAVITY METHOD. EFFECTIVE FLOOR CAVITY REFLECTANCE 0.20

RC	80	50	30	
RW	70	50	30	10
1	79	76	74	72
2	73	67	63	64
3	67	60	55	57
4	62	54	48	51
5	57	48	42	46
6	52	44	38	42
7	49	40	34	38
8	46	37	31	35
9	43	34	28	32
10	40	31	26	30

Model No. PPH2G12FW33212003

LER = FP - 63.2 IW - 85.0 BF - 0.88
Comparative yearly lighting energy cost per
1000 lumens = \$3.79

Report Number: ITL51761
Catalog Number: PPH2G12FW33212003
Lamps: F32T8/SPX35
Luminaire: Paraplus with white painted
interior, white painted 12 cell parabolic
louver with prismatic overlay.
Ballast: Howard Industries E3/32IS-120SC
Report is based on 2950 Lumens per lamp.
Efficiency: 67.8%
CIE Type-Direct-Indirect
Plane: 0-Deg 90-Deg
Spacing Criteria: 1.2 1.3
Shielding Angles: 90 90
Plane: 0-Deg 90-Deg
Luminous Length: 46.920 22.920

CANDELA DISTRIBUTION

	0.0	45.0	90.0	FLUX
0	2468	2468	2468	
5	2457	2460	2459	234
15	2337	2380	2430	675
25	2166	2261	2406	1049
35	1891	2039	2069	1256
45	1464	1576	1530	1165
55	884	828	840	787
65	543	520	498	524
75	285	224	184	253
85	59	50	18	59
90	0	0	0	

COEFFICIENTS OF UTILIZATION - ZONAL CAVITY METHOD. EFFECTIVE FLOOR CAVITY REFLECTANCE 0.20

RC	80	50	30	
RW	70	50	30	10
1	75	72	69	67
2	69	64	59	60
3	63	56	51	53
4	58	51	45	48
5	54	45	40	43
6	50	41	35	39
7	47	38	32	35
8	43	34	29	32
9	40	32	26	30
10	38	29	24	28

ZONAL LUMEN SUMMARY

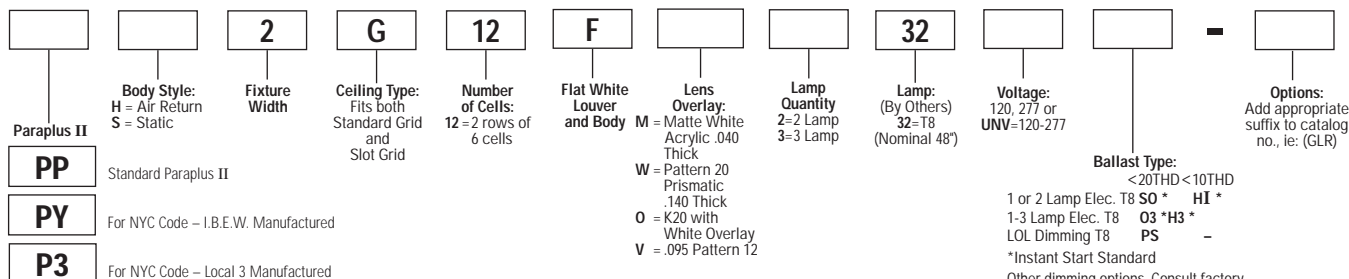
ZONE	LUMENS	% LAMP	% FIXT
0- 30	1958	22.1	32.6
0- 40	3214	36.3	53.5
0- 60	5166	58.4	86.1
0- 90	6002	67.8	100.0
90-180	0	0.0	0.0
0-180	6002	57.8	100.0

LUMINANCE DATA IN CANDELA/SQ. METER

AVERAGE IN DEG.	AVERAGE 0-DEG.	AVERAGE 45-DEG.	AVERAGE 90-DEG.
45	2960.	3186.	3093.
55	2203.	2064.	2093.
65	1837.	1759.	1684.
75	1574.	1237.	1006.
85	968.	820.	787.

Ordering Information

Explanation of Catalog Number. Example: PPH2G12FW33212003



Options/Accessories

Fusing: Internal fast blow fusing: SUFFIX: GLR.
Internal slow blow fusing: SUFFIX: GMF.
Drywall Kit: Order Catalog Number: **FK92X4** and **CF4FK SPACER**.
Electrical Wiring Options: Consult factory.
Chicago Plenum: SUFFIX C.

Specifications

Performance: In an installation of 3 lamp 32W luminaires in a room cavity ratio of 1, with reflectance 80% ceiling, 50% wall, 20% floor, the C.U. shall not be less than .72. To reduce glare the average brightness at 65° shall not exceed 1837 candelas per square meter. To control veiling reflections, luminaire output in the 30°-90° zone shall not be less than 67.4%.
Materials: Chassis parts are die-formed code gauge steel. **Housing** has all edges turned for safe-handling.
Finish: Chassis exterior – baked white post painted acrylic enamel. **Cavity** – baked white post painted acrylic enamel. **Louver** – baked white post painted acrylic enamel, minimum 86% reflectance. Phosphate undercoating.

Specifications (continued)

Overlay: M=Matte white acrylic .040 thick. W=Pattern 20 prismatic .140 thick. O=K20 with white overlay. V=.095 acrylic pattern 12.
Electrical: Thermally protected class "P" ballast C.B.M. approved, non PCB. If K.O. is within 3" of ballast, use wire suitable for at least 90°.
UL Listed for damp locations.
Labels: I.B.E.W./UL and ULc Listed.
This product may have a mercury containing lamp. Manage in accord with Disposal Laws.
See: www.lamprecycle.org

Job Information Type:

For Factory Technical Information: (978) 657-7600 • Fax (978) 658-0595
631 Airport Road, Fall River, MA 02720 • (508) 679-8131 • Fax (508) 674-4710
We reserve the right to change details of design, materials and finish.
www.lightolier.com © 2008 a Philips Group **Section 5/Folio M10-42**