

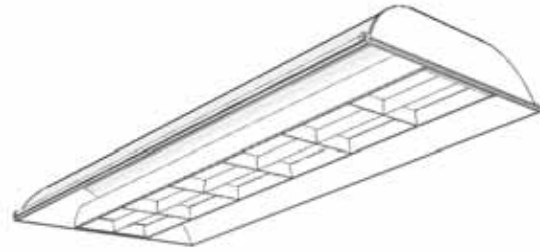
LIGHTOLIER® Paraplug II PPH2G12FW254 or 228

Page 1 of 2

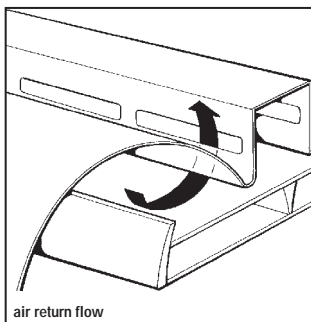
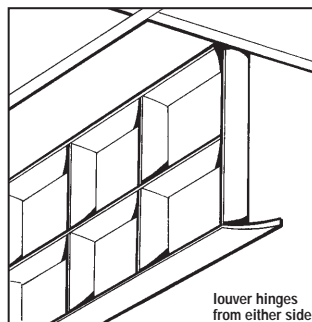
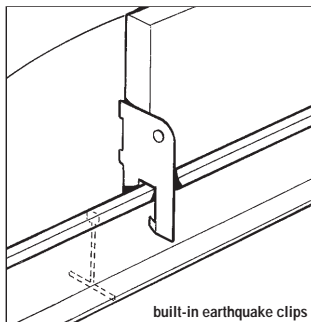
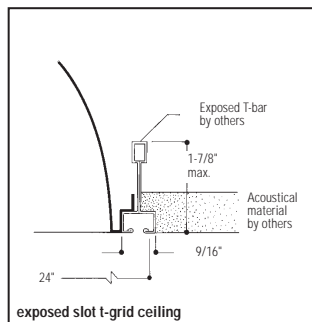
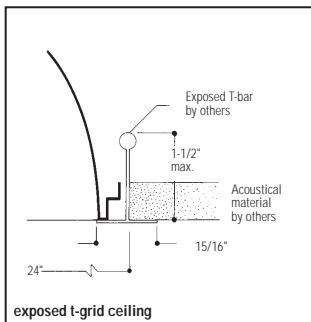
Direct/Indirect 2' x 4' Recessed Fluorescent
12 Cell White Parabolic Louver With Lens Overlay, 2 Lamp T5

Features

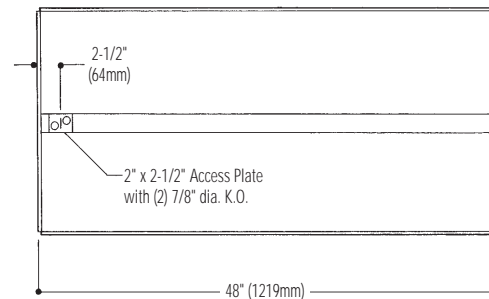
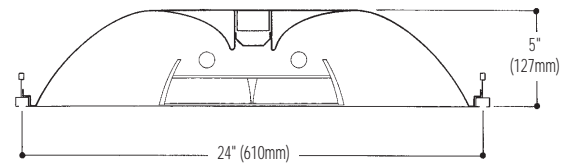
- Direct/indirect louver appearance with soft contoured interior.
- 12 cell flat white louver with lens overlay.
- Air return models meet UL 1598, Paragraph 9.2.2.5 requirements.
- 72.3% efficient (2 lamp 28W T5).
- 82.0% efficient (2 lamp 54W T5).
- Only 5" deep.
- Tension bars secure ends to body.
- Same fixture fits both G and T ceiling types.
- Fits flush to face of slot grid (T) ceiling.
- Static, optional.
- Louver hinges from either side.
- End of louver gasketed to eliminate light leak.
- Built-in earthquake clips.
- Can be continuous row mounted.
- Wiring access plate standard.
- Meets NYC Code requirements.
- Construction to meet Chicago Plenum requirement is available.



Mounting Methods



Dimensions



Job Information

Type:

Job Name:

Cat. No.:

Lamp(s):

Volts/Ballast:

For Factory Technical Information: (978) 657-7600 • Fax (978) 658-0595
631 Airport Road, Fall River, MA 02720 • (508) 679-8131 • Fax (508) 674-4710
We reserve the right to change details of design, materials and finish.
www.lightolier.com © 2008 a Philips Group

05/08

Section 5/Folio M10-40

LIGHTOLIER® Paraplus II PPH2G12FW254 or 228

Page 2 of 2

Direct/Indirect 2' x 4' Recessed Fluorescent
12 Cell White Parabolic Louver With Lens Overlay, 2 Lamp T5

Model No. PPH2G12FW228120WA

LER = FP - 69.3 IW - 56.0 BF - 0.93
Comparative yearly lighting energy cost per
1000 lumens = \$3.46

Report Number: G03099
Catalog Number: PPH2G12FW228120WA
Lamps: FP28/830
Luminaire: Paraplus with white painted
interior, white painted 12 cell parabolic
louver with prismatic overlay.
Ballast: WA Energy Smart
Report is based on 2900 Lumens per lamp.
Efficiency: 72.3%
CIE Type-Direct-Indirect
Plane: 0-Deg 90-Deg
Spacing Criteria: 1.2 1.2
Shielding Angles: 55 65
Plane: 0-Deg 90-Deg
Luminous Length: 46.920 22.920

CANDELA DISTRIBUTION

	0.0	45.0	90.0	FLUX
0	1855	1855	1855	
5	1828	1840	1853	175
15	1702	1750	1803	495
25	1529	1601	1735	745
35	1293	1392	1346	841
45	941	1021	1108	765
55	591	606	619	555
65	373	395	411	391
75	186	172	144	185
85	46	40	38	45
90	0	0	0	

LUMINANCE DATA IN CANDELA/SQ. METER

	AVERAGE IN DEG.	AVERAGE 0-DEG.	AVERAGE 45-DEG.	AVERAGE 90-DEG.
45	1917	2080	2258	
55	1485	1522	1555	
65	1272	1347	1401	
75	1035	957	802	
85	760	661	628	

ZONAL LUMEN SUMMARY

ZONE	LUMENS	% LAMP	% FIXT
0- 30	1414	24.4	33.7
0- 40	2255	38.9	53.8
0- 60	3575	61.6	85.2
0- 90	4196	72.3	100.0
90-180	0	0.0	0.0
0-180	4196	72.3	100.0

COEFFICIENTS OF UTILIZATION - ZONAL CAVITY METHOD, EFFECTIVE FLOOR CAVITY REFLECTANCE 0.20

RC	80	50	30
1	80	77	74
2	73	68	63
3	67	60	55
4	62	54	48
5	57	49	42
6	53	44	38
7	49	40	34
8	46	37	31
9	43	34	28
10	41	31	26

Model No. PPH2G12FW254120PG

LER = FP - 66.8 IW - 122.7 BF - 1.0
Comparative yearly lighting energy cost per
1000 lumens = \$3.59

Report Number: ITL51252
Catalog Number: PPH2G12FW254120PG
Lamps: FP54/835/HO
Luminaire: Paraplus with white painted
interior, white painted 12 cell parabolic
louver with prismatic overlay.
Ballast: QT 2X54/120PHO
Report is based on 5000 Lumens per lamp.
Efficiency: 82.0%
CIE Type-Direct-Indirect
Plane: 0-Deg 90-Deg
Spacing Criteria: 1.2 1.3
Shielding Angles: 90 90
Plane: 0-Deg 90-Deg
Luminous Length: 46.920 22.920

CANDELA DISTRIBUTION

	0.0	45.0	90.0	FLUX
0	3428	3428	3428	
5	3411	3410	3406	325
15	3244	3281	3327	930
25	2997	3077	3242	1431
35	2611	2759	2527	1664
45	1991	2077	2058	1545
55	121	1144	1119	1088
65	753	745	729	750
75	398	350	271	371
85	91	79	76	94
90	0	0	0	

LUMINANCE DATA IN CANDELA/SQ. METER

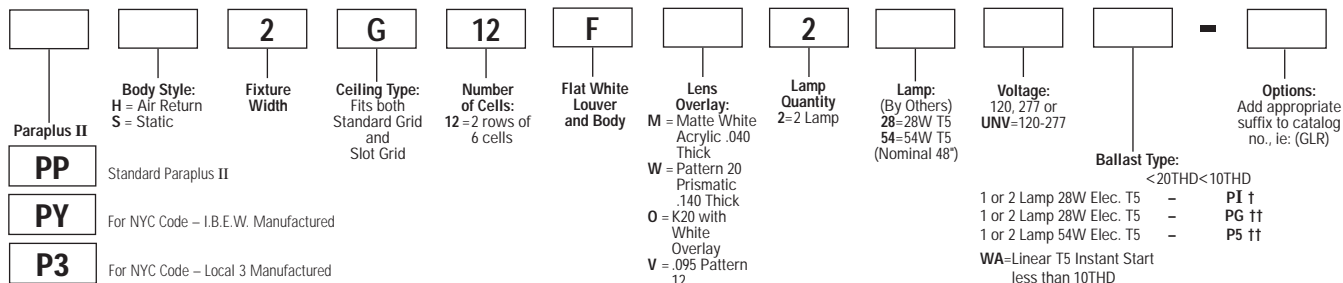
	AVERAGE IN DEG.	AVERAGE 0-DEG.	AVERAGE 45-DEG.	AVERAGE 90-DEG.
45	4025	4199	4160	
55	3021	2851	2854	
65	2547	2520	2456	
75	2198	1933	1497	
85	1493	1290	1247	

ZONAL LUMEN SUMMARY

ZONE	LUMENS	% LAMP	% FIXT
0- 30	2686	26.9	32.3
0- 40	4349	43.5	53.1
0- 60	6982	69.8	85.2
0- 90	8198	82.0	100.0
90-180	0	0.0	0.0
0-180	8198	82.0	100.0

Ordering Information

Explanation of Catalog Number. Example: PPH2G12FW254120PG



Options/Accessories

Fusing: Internal fast blow fusing: SUFFIX: **GLR**.
Internal slow blow fusing: SUFFIX: **GMF**.
Drywall Kit: Order Catalog Number: **FK92X4** and **CF4FK SPACER**.
Electrical Wiring Options: Consult factory.
Chicago Plenum: SUFFIX: **C**.

Specifications

Performance: In an installation of 2 lamp 54W luminaires in a room cavity ratio of 1, with reflectance 80% ceiling, 50% wall, 20% floor, the C.U. shall not be less than .87. To reduce glare the average brightness at 65° shall not exceed 2547 candelas per square meter. To control veiling reflections, luminaire output in the 30°-90° zone shall not be less than 67.7%.

Materials: Chassis parts are die-formed code gauge steel. Housing has all edges turned for safe-handling.

Finish: Chassis exterior - baked white post painted acrylic enamel. Cavity - baked white post painted acrylic enamel. Louver - baked white post painted acrylic enamel, minimum 86% reflectance. Phosphate undercoating.

Specifications (continued)

Overlay: M=Matte white acrylic .040 thick. W=Pattern 20 prismatic .140 thick. O=K20 with white overlay. V=.095 acrylic pattern 12.

Electrical: Thermally protected class "P" ballast C.B.M. approved, non PCB. If K.O. is within 3" of ballast, use wire suitable for at least 90°.

UL Listed for damp locations.

Labels: I.B.E.W./UL and ULC Listed.

This product may have a mercury containing lamp. Manage in accord with Disposal Laws.
See: www.lamprecycle.org

Job Information

Type:

For Factory Technical Information: (978) 657-7600 • Fax (978) 658-0595
631 Airport Road, Fall River, MA 02720 • (508) 679-8131 • Fax (508) 674-4710
We reserve the right to change details of design, materials and finish.
www.lightolier.com © 2008 a Philips Group

Section 5/Folio M10-40