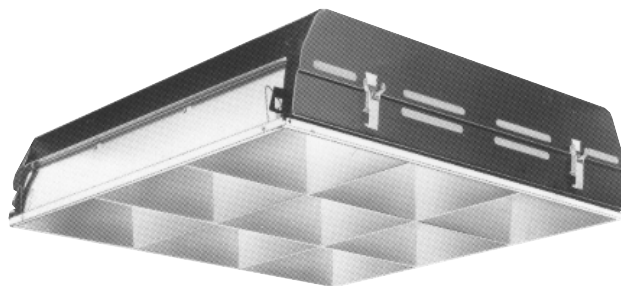


# Paralyte 2424 PLA2G9LP3FT

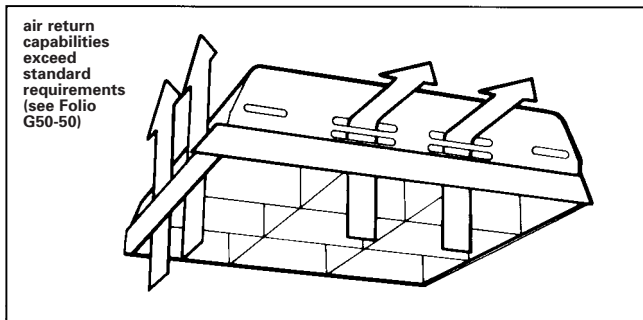
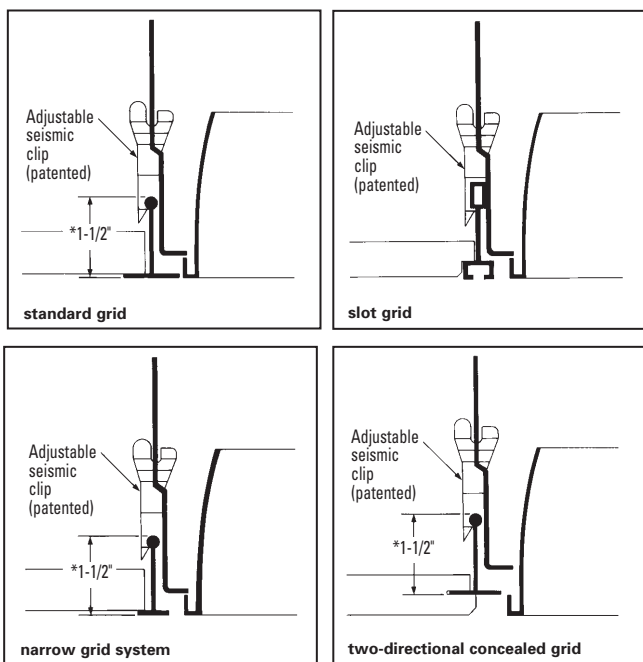
## Features

- 23" x 23" louver
- Efficiency 72.6%.
- One fixture fits 50 different G type and T type ceiling systems.
- Only 5 1/2" deep housing.
- Automatic engaging adjustable seismic clips.
- Pre-anodized aluminum vertical grain parabolic louver.
- 3 1/8" deep louver.
- Low iridescence semi-specular aluminum, standard.
- Spring-loaded latches.
- Protective film dust guard.
- UL-Listed twin knockout access plate.
- Not for continuous row mounting.

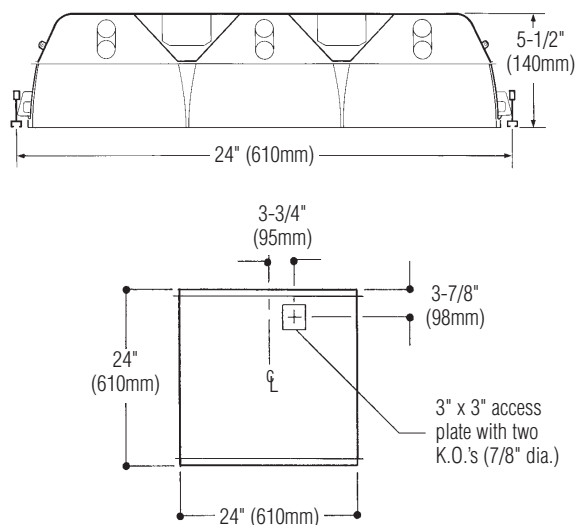


## Mounting Methods

\*If less than 1 1/2", STC spacer is required, 2 each end.



## Dimensions



NOTE: Fixtures may be used for static or air return applications.

## Job Information

## Type:

**Job Name:**

**Cat. No.:**

**Lamp(s):**

**Volts/Ballast:**

Lightolier a Genlyte Thomas Company

www.lightolier.com

Technical Information: (978) 657-7600 • Fax (978) 658-0595

631 Airport Road, Fall River, MA 02720 • (508) 679-8131 • Fax (508) 674-4710

We reserve the right to change details of design, materials and finish.

© 2003 Genlyte Thomas Group LLC (Lightolier Division)

A0902

Section 2/Folio G50-54 Rev. A



# Paralyte 2424 PLA2G9LP3FT

## 2' x 2' Recessed Fluorescent, 3-1/8" Deep, 9 Cell Parabolic Louver Static and Air Return 3 Lamp, Twin Tube T5

### Photometry

Model No. PLA2G9LP3FT120X3

**ifl boulder**  
INDEPENDENT TESTING LABORATORIES, INC. • 3386 LONGHORN ROAD, BOULDER, COLORADO 80302 • PHONE (303) 442-1255

REPORT NUMBER: ITL33751 DATE: 9-30-1987  
PREPARED FOR: LIGHTOLIER  
CATALOG NUMBER: PLA2G9LP3FT120X3  
LUMINAIRE: FABRICATED METAL TROFFER, WHITE PAINTED INTERIOR FINISH, SEMI-SPECULAR, LOW IRIDESCENT 9-CELL PARABOLIC LOUVER. THE ZERO DEGREE PLANE IS OPPOSITE THE SOCKETS.  
LAMPS: THREE F40BX/SPX35/RS, EACH RATED 3150 LUMENS.  
BALLASTS: ONE EACH G.E. 8G3377W AND 8G3375W  
MOUNTING: RECESSED

CANDELA DISTRIBUTION

FLUX	0-DEG	90-DEG	180-DEG
0	2285	2295	2295
5	2266	2294	2316
15	2146	2261	2398
25	1941	2202	2478
35	1719	2047	2462
45	1455	1962	2792
55	1131	1630	1496
65	662	557	489
75	46	76	46
85	15	15	15
90	0	0	0

ZONAL LUMEN SUMMARY

ZONE	LUMENS	%LAMP	%FIXT
0-30	1916	20.3	27.9
0-40	3273	34.6	47.7
0-60	6247	66.1	91.0
0-90	6864	72.6	100.0
90-180	0	0.0	0.0
0-180	6864	72.6	100.0

TOTAL LUMINAIRE EFFICIENCY = 72.6 %  
CIR TYPE - DIRECT  
PLANE : 0-DEG 90-DEG 180-DEG  
SPACING CRITERIA : 1.2 1.9 1.3  
PLANE : 0-DEG 90-DEG  
LUMINOUS LENGTH : 23.000 23.000

LUMINANCE DATA IN FOOTLAMBERTS

ANGLE AVERAGE AVERAGE	0-DEG	90-DEG	180-DEG
IN DEG	45	1760.	3377.
	55	1686.	2230.
	65	1340.	390.
	75	152.	152.
	85	147.	147.

Checked: [Signature]  
Approved: [Signature]

THIS REPORT IS BASED ON PUBLISHED INDUSTRY PROCEDURES • FIELD PERFORMANCE MAY DIFFER FROM LABORATORY PERFORMANCE

LER=FP-61.9 IW - 97.9 BF - 0.88

Comparative yearly lighting energy cost per 1000 lumens=\$3.88

coefficients of utilization — zonal cavity method (effective floor cavity reflectance 0.20)

RF	20	20	20	20	20	20	20
RC	80	50	50	50	50	50	50
RW	70	50	30	50	30	10	50
room cavity ratio	1	81	78	76	73	72	70
	2	75	70	66	67	64	61
	3	69	63	58	60	56	53
	4	64	57	51	54	50	46
	5	59	51	45	48	44	40
	6	54	45	39	43	38	34
	7	49	40	34	38	33	29
	8	46	36	30	35	29	26
	9	42	32	27	31	26	23
	10	39	29	23	28	23	19

visual comfort probability (rated lumens per lamp 3150.)

room size		ceiling height				ceiling height			
W	L	8.5	10.0	13.0	16.0	8.5	10.0	13.0	16.0
20	20	57	51	51	66	58	51	48	54
20	30	61	55	49	50	61	55	48	48
20	40	64	59	53	52	64	58	52	49
20	60	66	61	57	55	66	61	56	52
30	20	63	56	52	61	64	56	50	53
30	30	66	59	50	47	66	59	49	47
30	40	68	62	54	49	68	61	53	48
30	60	69	64	58	52	70	64	56	51
30	80	71	66	60	56	71	65	59	54
40	20	67	61	56	61	68	61	54	54
40	30	70	64	54	48	70	63	53	48
40	40	71	66	57	50	72	65	57	49
40	60	72	68	60	53	73	67	59	52
40	80	73	69	63	56	74	68	62	55
40	100	75	70	65	59	75	70	64	57
60	30	72	66	58	51	72	66	57	50
60	40	73	68	61	53	73	68	60	51
60	60	74	69	63	55	74	69	62	54
60	80	74	70	65	58	75	70	64	57
60	100	76	71	66	60	76	71	66	59
100	40	75	71	65	58	75	70	63	57
100	60	76	72	66	60	76	71	65	59
100	80	76	72	68	62	77	72	67	61
100	100	77	73	69	64	78	73	68	62

### Ordering Information

Explanation of Catalog Number. Example: PLA2G9LP3FT120X3GLR

<b>PL</b>	<b>A</b>	<b>2</b>	<b>G</b>	<b>9</b>		<b>P</b>	<b>3</b>	<b>FT</b>			
<b>Paralyte 2448:</b> 3-1/8" Deep Parabolic Precision Contoured Pre-anodized Aluminum Louver	<b>Body Style:</b> A= Air Handling /Static	<b>Fixture Width</b>	<b>Ceiling Type:</b> G=Grid (lay-in T bar)	<b>Number of Cells</b>	<b>Louver Finish:</b> L = Low Iridescence Semi-Specular (standard) W = White Paint	<b>Ballast Cover</b> P=Dual V Reflector	<b>Lamp Quantity</b>	<b>Lamp/ Fixture Length:</b> Twin Tube T5 (Nominal 24")	<b>Voltage:</b> 120 or 277	<b>Ballast Type:</b> <20THD SB* IB* <10THD X3* I3* PB -	<b>Options:</b> Add appropriate suffix to catalog no., ie: (GLR)

Other dimming options. Consult factory. \*Instant Start Standard

### Options & Accessories

**Prewiring:** 3/8" factory prewired cable (three no. 18 AWG leads, 6' long), Suffix: **FF6**, (Four no. 18 AWG leads, 6' long), Suffix: **FF14**.

**Fusing:** Internal fast-blow fusing. Suffix: **GLR**.  
Internal slow-blow fusing. Suffix: **GMF**.

**Fluorescent Emergency Lighting System:** Factory-installed emergency power battery pack with charger and inverter, concealed in fixture channel. Operates one fluorescent lamp at reduced light output for 90 minutes. Suffix: **EM**.

**Radio Interference Filter:** 120 or 277 volt, 50 or 60 Hz. One per fixture. Suffix: **R**. One per ballast. Suffix: **B**.

**Electrical Options:** Special wiring, fusing or dimming ballasts and installed lamps are available, consult your Lightolier representative or factory.

**T-Bar Spacer:** If T-bar is less than 1-1/2" deep, order Catalog Number: **STC**. 2 each end is required.

### Specifications

**Performance:** In an installation of 3 lamp 40W luminaires in a room cavity ratio of 1, with reflectance of 80% ceiling, 50% wall, 20% floor, the C.U shall not be less than 78. To prevent glare the VCP shall not be less than 74 either lengthwise or crosswise (at 100fc level) and the average brightness at 65" shall not exceed 1340 foot-lamberts. To control veiling reflections, luminaire output in the 3C°-90° zone shall not be less than 72.1%.

### Specifications (continued)

**Air Return:** Designed to provide optimum air return. Air is returned through the lamp compartment for all ceiling systems and direct to plenum through slots in slot grid and narrow grid ceiling systems.

**Materials:** **Chassis parts** are die-formed code gauge cold rolled steel. **Housing** is embossed for rigidity with all edges turned up for safe handling. **Louver** is pre-anodized aluminum (Coilzak or equal). rails hemmed over and housing ends turned-in for safe handling.

**Finish:** **Louver**—semi-specular anodized low iridescence, vertical grain reflector sheet. **Cavity**—white baked polyester minimum 86% reflectance. Phosphate undercoating. **Chassis exterior**—black baked polyester enamel.

**Electrical:** Thermally protected class "P" ballast C.B.M. approved, non PCB. If K.O. is within 3" of ballast, use wire suitable for at least 90°.

**Labels:** I.B.E.W./UL and ULc Listed.

### Job Information Type:

**Lightolier** a Genlyte Thomas Company www.lightolier.com  
Technical Information: (978) 657-7600 • Fax (978) 658-0595  
631 Airport Road, Fall River, MA 02720 • (508) 679-8131 • Fax (508) 674-4710  
We reserve the right to change details of design, materials and finish.  
© 2003 Genlyte Thomas Group LLC (Lightolier Division)  
A0902 **Section 2/Folio G50-54 Rev. A**

