

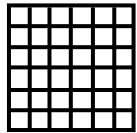
PARABAFFLE (MLB) **MLB SERIES 2U/3U**

FEATURES

- Only 5 1/2" deep.
- 20 gauge steel welded body.
- Efficiency 57.8% (2U T8).
- 1.5 spacing mounting ratio (2 lamp T8).
- Side mounted ballast for cooler operation.
- 45° mitered corners (body and louver).
- 1 1/2" deep, 3 1/2" x 3 1/2" cell aluminum parabolic louver.
- Spring-loaded latches.
- Perfectly uniform four side reveal.
- Low-iridescence, semi-specular aluminum louver, standard.
- Vertical grain on louver eliminates reflected lamp images on cross baffle.
- Louver has polyethylene dust guard.
- Flush end K.O.s for smooth surface (at end of row or individual).
- Matches parabaffle 2'x2' recessed.
- Meets NYC Code requirements.
- Louver assembly can be replaced with any of 3 standard Lightolier door frames.

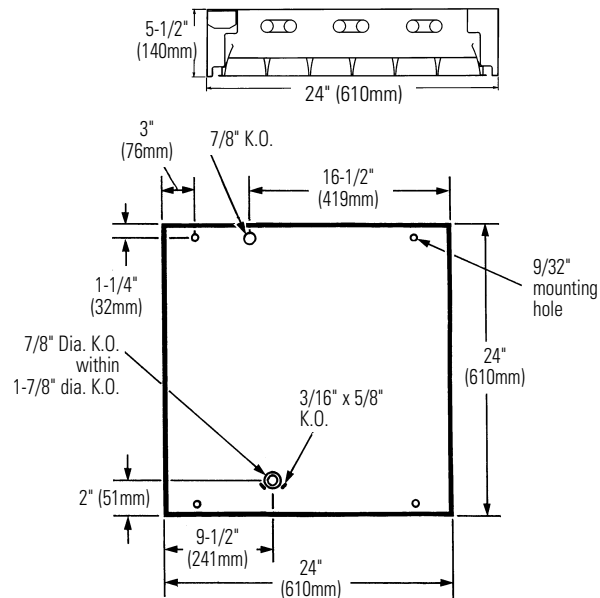


LOUVER CONFIGURATION



36 Cell

DIMENSIONS



Job Information

Type:

Job Name:

Cat. No.:

Lamp(s):

Volts/Ballast:

Lightolier a Genlyte Thomas Company

www.lightolier.com

Technical Information: (978) 657-7600 • Fax (978) 658-0595

631 Airport Road, Fall River, MA 02720 • (508) 679-8131 • Fax (508) 674-4710

We reserve the right to change details of design, materials and finish.

© 2002 Genlyte Thomas Group LLC (Lightolier Division)

A0902

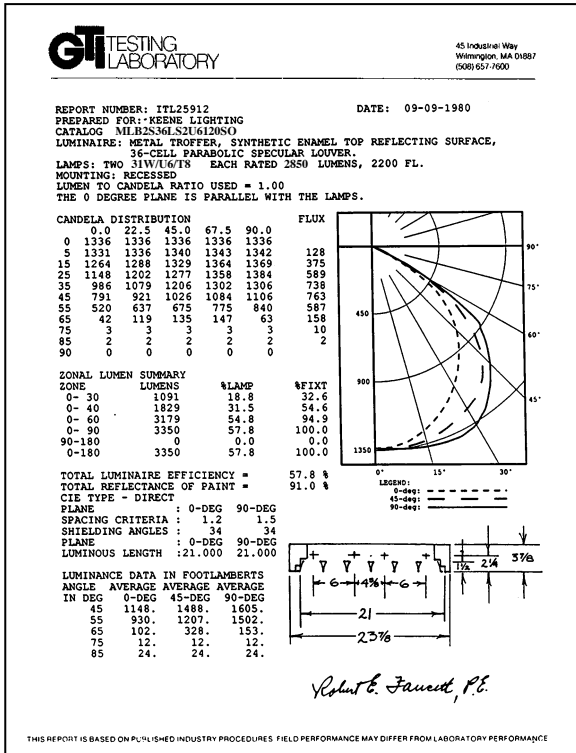
SECTION 2/Folio G20-36

LIGHTOLIER[®]

PARABAFFLE (MLB) **MLB SERIES 2U/3U**

PHOTOMETRY

MODEL NO. **MLB2S36LS2U6120S0**



coefficients of utilization — zonal cavity method

RF	20			20			20			
RC	80			50			30			
RW	70	50	30	50	30	10	50	30	10	
room cavity ratio	1	64	62	60	58	57	56	56	55	54
2	59	56	52	52	50	48	51	49	47	
3	55	50	46	47	44	41	46	43	41	
4	50	44	40	42	39	36	41	38	35	
5	47	40	35	38	34	31	37	34	31	
6	43	36	31	35	31	28	34	30	27	
7	40	33	28	31	27	25	31	27	24	
8	37	30	25	29	25	22	28	24	22	
9	35	27	23	26	23	20	26	22	20	
10	33	25	21	24	21	18	24	20	18	

visual comfort probability

room size		ceiling height				ceiling height			
W	L	8.5	10.0	13.0	16.0	8.5	10.0	13.0	16.0
20	20	82	76	71	77	79	71	64	71
20	30	82	78	74	72	79	73	68	65
20	40	82	78	77	75	79	74	73	68
20	60	85	78	77	75	83	74	71	68
30	20	85	80	72	74	81	76	67	70
30	30	85	81	75	70	81	78	70	65
30	40	85	81	77	73	81	78	72	68
30	60	87	81	77	73	84	78	72	68
30	80	87	81	76	74	84	78	72	68
40	20	85	80	76	74	81	76	71	72
40	30	85	81	78	71	81	78	74	67
40	40	85	81	79	74	81	78	75	70
40	60	87	81	79	74	83	78	76	70
40	80	87	81	79	74	83	78	76	70
40	100	87	80	79	74	83	78	76	70
60	30	85	81	79	74	81	78	74	70
60	40	86	81	79	76	81	78	75	73
60	60	87	80	80	76	83	78	76	73
60	80	87	80	80	76	83	78	76	73
60	100	87	81	80	76	83	78	76	73
100	40	86	80	80	76	81	78	76	73
100	60	87	80	80	76	83	78	76	73
100	80	87	80	80	77	83	78	76	73
100	100	87	81	80	77	83	78	76	74

ORDERING INFORMATION

Explanation of Catalog Number. Example: MLB2S36LS2U6120S0GLR

ML PARABAFFLE PARABOLIC: 1 1/2" Deep Precision Contoured Pre-anodized Aluminum Louver	B BODY STYLE: Surface Box	2 FIXTURE WIDTH	S CEILING TYPE: S=Surface	36 NUMBER OF CELLS	L LOUVER FINISH*: L=Low-iridescence semi-specular (standard) P=Low-iridescence specular	S WHITE REFLECTOR	LAMP QUANTITY: 2 or 3 Lamps	LAMP/ FIXTURE LENGTH: (Nominal 24") U4=6" UT12 or U1.6 T8 or T15 U6=6" UT8 (Magnetic T8 or Electronic T8 Ballast Only)	VOLTAGE: 120 or 277	BALLAST TYPE: LE=Magnetic (T12) OC=Magnetic (T8) SS=Electronic (T12) S3=1-3 Lamp Elec. (T12) S0=Electronic (T8) O3=1-3 Lamp Elec. (T8) DIM=Dimming (T12) PS=L0L Power Spec T8 Dimming Ballast PB=L0L Power Spec T15 Dimming Ballast	OPTIONS: Add appropriate suffix to catalog no., ie: (GLR)
--	--	---------------------------	--	------------------------------	---	-----------------------------	---------------------------------------	--	-------------------------------	---	---

*Consult factory for availability of louver finishes.

OPTIONS & ACCESSORIES

- FUSING:** Internal fast-blow fusing. SUFFIX: **GLR**.
Internal slow-blow fusing. SUFFIX: **GMF**.
- RADIO INTERFERENCE FILTER:** 120 or 277 volt, 50 or 60 Hz. One per fixture is standard. SUFFIX: **RF**.
- ELECTRICAL/WIRING OPTIONS:** Consult factory.
- LOW DENSITY CEILINGS:** **DSM**
- STEM AND CANOPY SETS:** Suspends fixture 6", 12", 18" or 24" from surface (four per fixture is recommended). Catalog Number **ASC6 CSP (6")**, **ASC12 CSP (12")**, **ASC18 CSP (18")**, **ASC24 CSP (24")**.

SPECIFICATIONS

PERFORMANCE: In an installation of 2 lamp 31W luminaires in a room cavity ratio of 1, with a reflectance of 80% ceiling, 50% wall, 20% floor, the C.U. shall not be less than .62. To prevent glare the VCP shall be not less than 83 either lengthwise or cross wise (at 100fc level) and the average brightness at 65° shall not exceed 328 footlamberts. To control veiling reflections, luminaire output in the 30°-90° zone shall be not less than 69.3°.

SPECIFICATIONS (continued)

- MATERIALS:** Chassis parts are die-formed 20 gauge cold rolled steel, welded for rigidity.
- LOUVER:** pre-anodized aluminum (Coilzak® or equal).
- FINISH:** Louver—low iridescence, semi-specular pre-anodized vertical grain reflector sheet. **Cavity**—white baked acrylic enamel minimum 86% reflectance. Phosphate undercoating. **Chassis exterior**—white baked acrylic enamel.
- ELECTRICAL:** Thermally protected class "P" ballast C.B.M. approved, non PCB. If K.O. is within 3" of ballast, use wire suitable for at least 90°.
- LABELS:** I.B.E.W., UL, ULc Listed.

Job Information Type:

Lightolier a Genlyte Thomas Company www.lightolier.com
Technical Information: (978) 657-7600 • Fax (978) 658-0595
631 Airport Road, Fall River, MA 02720 • (508) 679-8131 • Fax (508) 674-4710
We reserve the right to change details of design, materials and finish.
© 2002 Genlyte Thomas Group LLC (Lightolier Division)
A0902 **SECTION 2/Folio G20-36**

LIGHTOLIER