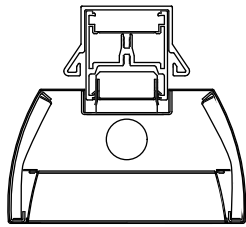


READ AND UNDERSTAND THESE INSTRUCTIONS BEFORE PROCEEDING.
RETAIN THESE INSTRUCTIONS FOR MAINTENANCE REFERENCE.

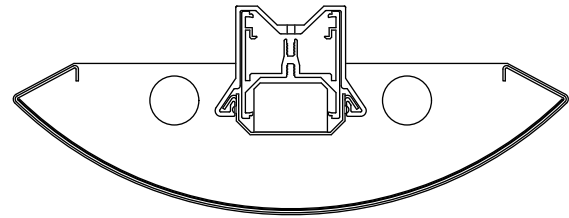
This fixture is intended for installation in accordance with the National Electrical Code and local regulations. To assure full compliance with local codes and regulations, check with your local electrical inspector before installation. To prevent electrical shock, turn off electricity at electrical panel before proceeding.

DO NOT INSTALL THIS SYSTEM IN A WET OR DAMP LOCATION.
DO NOT ENERGIZE ANYTHING OTHER THAN THE FIXTURES IN THE SYSTEM.
DO NOT OVERLOAD FEED CABLE, 10 AMP MAX FOR SJT 18-3 AND 7 AMP MAX FOR SJT 18-4 & 18-5.

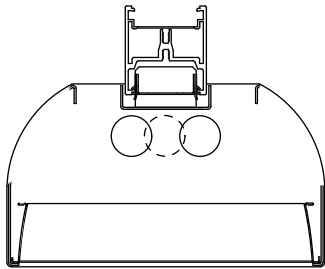
CONTRACTOR IS RESPONSIBLE FOR ADEQUATELY REINFORCING CEILING TO SUPPORT FIXTURE WEIGHT.



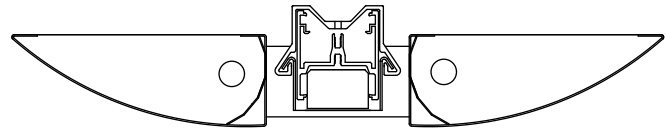
MMA & MFA



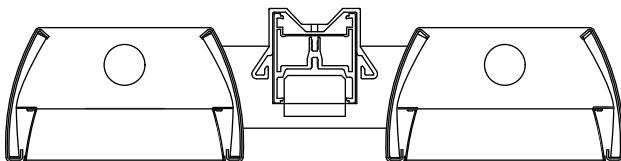
MMD & MFD



MMC & MFC



MME & MFE



MMB & MFB

TABLE OF CONTENTS

STEM MOUNT INSTALLATION3

CABLE MOUNT INSTALLATION5

CHANNEL MOUNTING STEM & WIRING.....7

CHANNEL MOUNTING CABLE & WIRING.....9

CHANNEL CONNECTIONS & WIRING10

MODULE WIRE & MOUNTING12

BASIC LYTESPAN TRACK MOUNTING14

X, L, T-JOINER MOUNTING.....16

PATTERN.....18

STEM MOUNT INSTALLATION

Step 1. Install MOUNTING BRACKET to J-BOX [4" (10.16cm) Octagon By Others]

- A. Attach with two (2) 8-32X1" SCREWS provided with J-BOX.
- B. Make sure J-BOX is securely attached to building structure.
- C. If installed on a sloped ceiling, orient BALL ALIGNER slot opening up toward the crest of the ceiling.

Step 2. Mark and Drill Hole

- A. Mark off mounting distances from center of J-BOX to next mounting center. Maximum 9' (274.32cm) on continuous runs. (Fig. 1)
- B. Drill two (2) 3/4" (1.91cm) Ø holes at same 45° angle as the two (2) 8-32 SCREWS on the first MOUNTING BRACKET. (Fig. 1 & 2)

Step 3. Secure MOUNTING BRACKET

- A. Secure MOUNTING BRACKET at mounting center
- B. Attach TOGGLE BOLTS (BY OTHERS) to MOUNTING BRACKET and slip TOGGLE WING NUTS (BY OTHERS) thru 3/4" (1.91cm) Ø holes in ceiling securing MOUNTING BRACKET firmly to ceiling. (Fig. 2) **IMPORTANT! Opening of all MOUNTING BRACKETS must be aligned in same direction.** (Fig. 1)

Step 4. STEM Shortening

- A. Consult factory for custom STEM lengths.

Step 5. Remove SAFETY CLIP

- A. Remove SAFETY CLIP from MOUNTING BRACKET opening and slide STEM thru opening. (Fig. 1)
- B. BALL ALIGNER GROOVE must align and engage with MOUNTING BRACKET TAB.

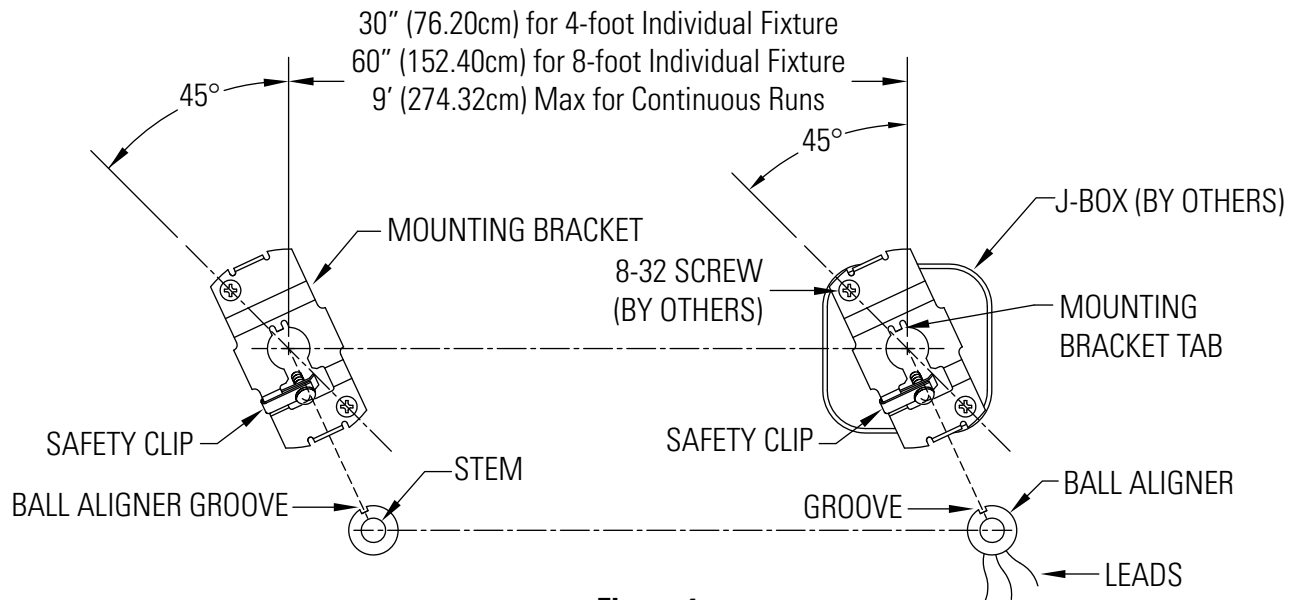


Figure 1

STEM MOUNT INSTALLATION (CONT'D)

Step 6. Replace SAFETY CLIP

- A. Replace SAFETY CLIP to MOUNTING BRACKET and make necessary power connections at J-BOX. (Fig. 3).
- B. Match colors for proper wiring, i.e. Black fixture lead to hot (black) supply lead. White fixture lead to neutral (white) supply lead. Green wire must be connected to ground terminal or ground lead inside J-BOX. Use wire nuts as per local code.
- C. Push connections back to J-BOX.

Step 7. Secure CANOPY

Snap CANOPY onto MOUNTING BRACKET flush with ceiling (Fig. 3)

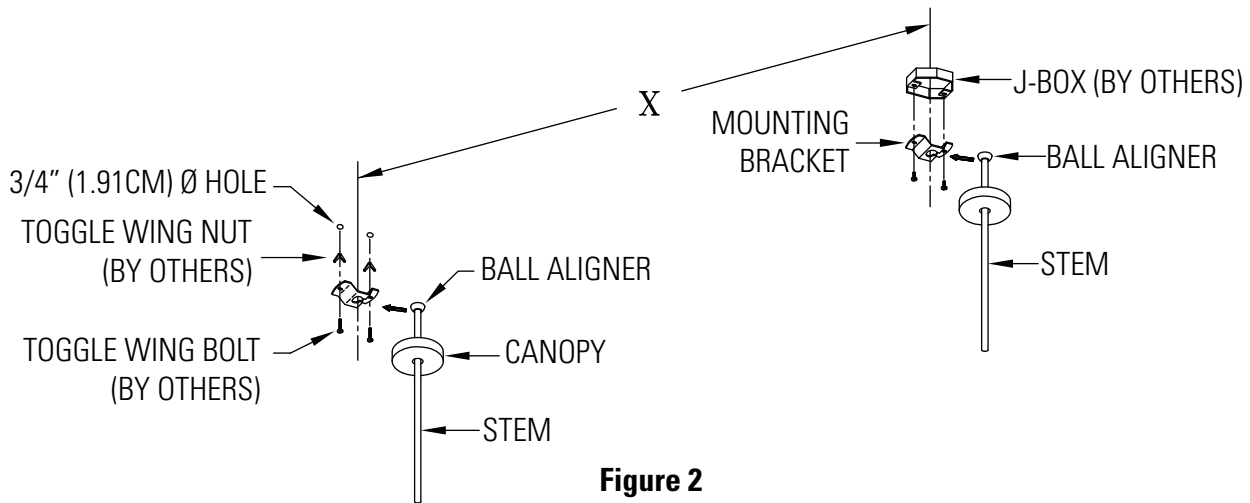


Figure 2

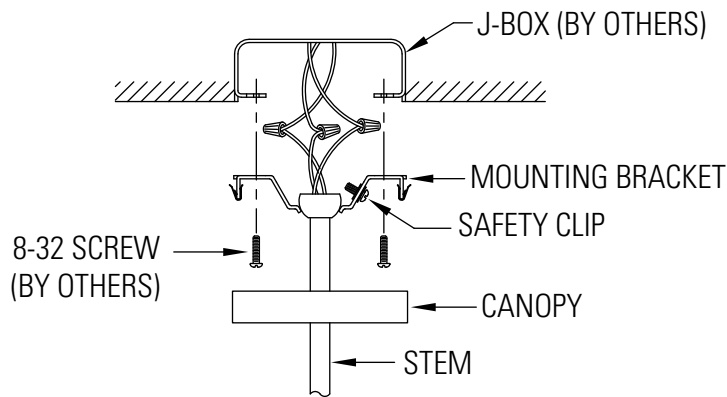


Figure 3

CABLE MOUNT INSTALLATION

Step 1. Install CROSSBAR to J-BOX [4" (10.16cm) Octagon By Others]

- A. Attach CROSSBAR to J-BOX with 8-32 SCREWS provided with J-BOX.
- B. Make sure J-BOX is securely attached to building structure.

Step 2. Mark and Drill Hole

- A. Mark off mounting distances from center of J-BOX to next mounting center. Maximum 9' (274.32cm) on continuous runs. (Fig. 4)
- B. And drill two (2) 3/4" (1.91cm) Ø holes. (Fig. 5)

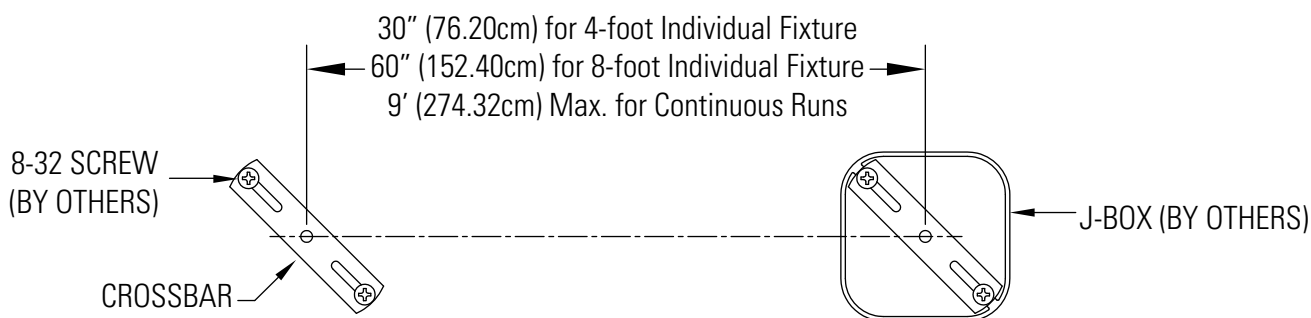


Figure 4

CABLE MOUNT INSTALLATION (CONT'D)

Step 3. Secure CROSSBAR

- A. Secure CROSSBAR at mounting center.
- B. Attach TOGGLE BOLTS (By Others) to CROSSBAR and slip TOGGLE WING NUTS (By Others) thru 3/4" (1.91cm) Ø holes in ceiling securing CROSSBAR firmly to ceiling.

Step 4. Wiring

- A. Make necessary power connections at J-BOX per local code.
- B. Push connections back into J-BOX.

Step 5. Secure CANOPY

Slide CANOPY onto J-BOX and fasten COLLAR with SET SCREW. (Fig. 5)

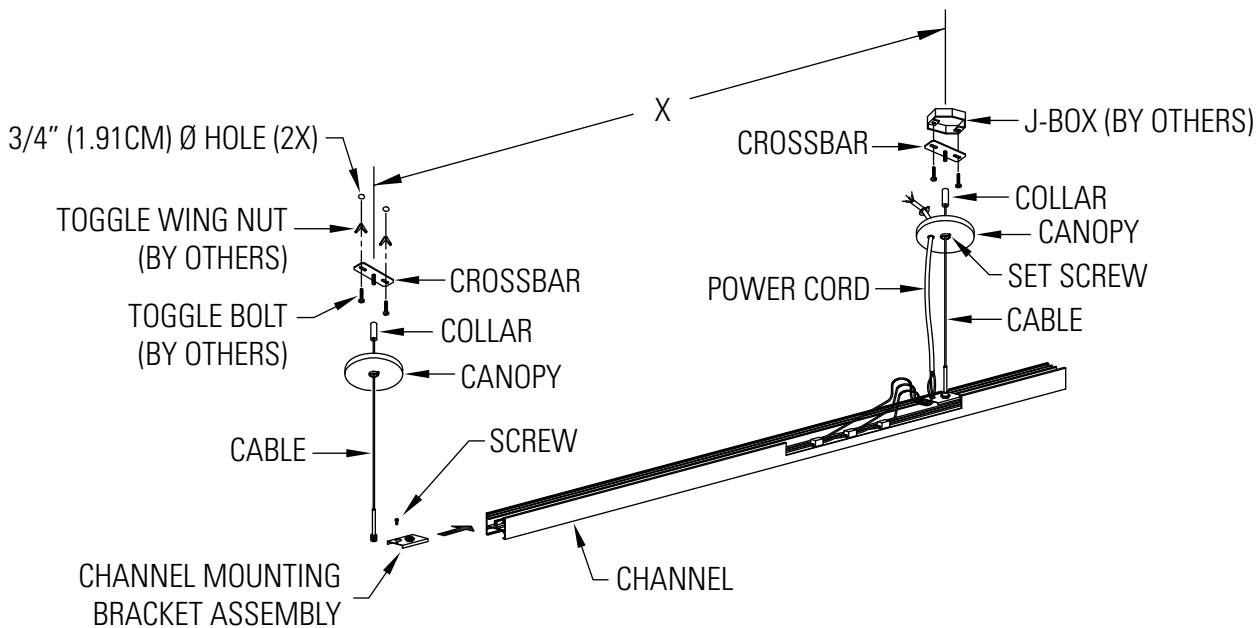
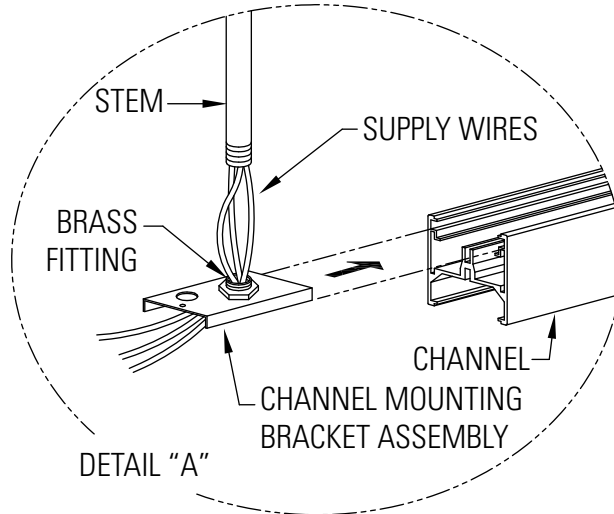


Figure 5

CHANNEL MOUNTING STEM & WIRING

Step 1. SUPPLY WIRES

Slide SUPPLY WIRES through STEM and through CHANNEL MOUNTING BRACKET. (DETAIL "A")



Step 2. CHANNEL MOUNTING BRACKET ASSEMBLY

Install CHANNEL MOUNTING BRACKET ASSEMBLY and slide it into CHANNEL. (DETAIL "B")

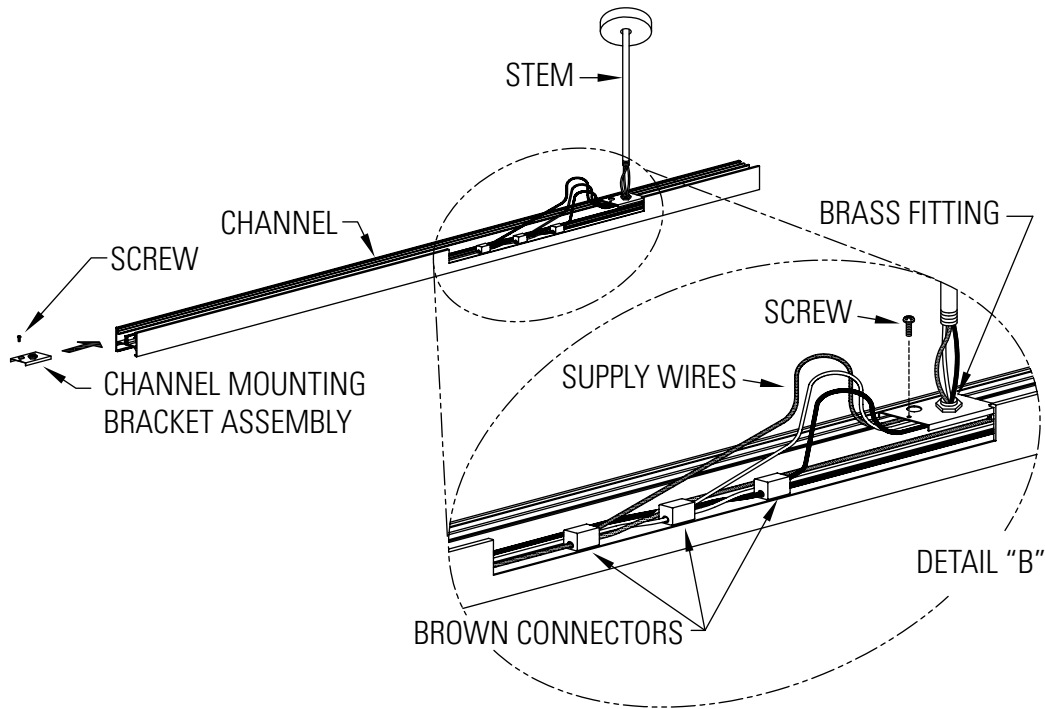


Figure 6

CHANNEL MOUNTING STEM & WIRING (CONT'D)

Step 3. BROWN CONNECTOR

Snap BROWN CONNECTOR from parts bag to 12ga. THRU WIRE in CHANNEL, insert SUPPLY WIRE into second slot in BROWN CONNECTOR and crimp connection with pliers. (Fig. 7)

Step 4. Repeat Steps Above as Necessary

Step 5. Secure STEM

Attach STEM into BRASS FITTING. (DETAIL "B")

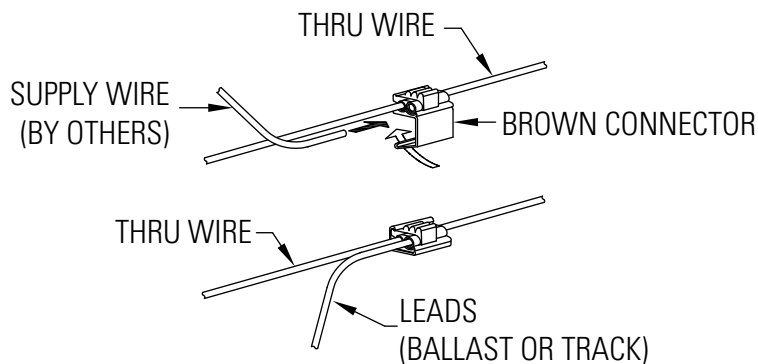


Figure 7

CHANNEL MOUNTING CABLE & WIRING

Step 1. Slide Through POWER CORD

Slide POWER CORD WIRES through CHANNEL MOUNTING BRACKET. (DETAIL "C")

Step 2. Channel Mounting Bracket Assembly

- A. Install CHANNEL MOUNTING BRACKET ASSEMBLY and slide bracket into CHANNEL. (Fig. 8)
- B. Before connecting SUPPLY WIRES to THRU WIRES with BROWN CONNECTORS see DETAIL "A" for proper spacing of 2" (5.08cm) to 3" (7.62cm) required.

Step 3. BROWN CONNECTOR

- A. Snap BROWN CONNECTOR from parts bag to 12ga. THRU WIRE in CHANNEL.
- B. Insert POWER CORD WIRE into second slot in BROWN CONNECTOR and crimp connection with pliers. (Fig. 7)

Step 4. Connect Wires

- A. Finish connection with BROWN CONNECTOR flap and do the same for all three wires according to color. (DETAIL "C")
- B. Black lead to black thru wire. White lead to White thru wire, and ground to ground.

Step 5. Secure CHANNEL MOUNTING BRACKET ASSEMBLY

Fasten CHANNEL MOUNTING BRACKET ASSEMBLY with SCREW. (DETAIL "B")

Step 6. Secure Cable

Attach CABLE GRIPPER into BRASS FITTING on CHANNEL MOUNTING BRACKET. (DETAIL "C")

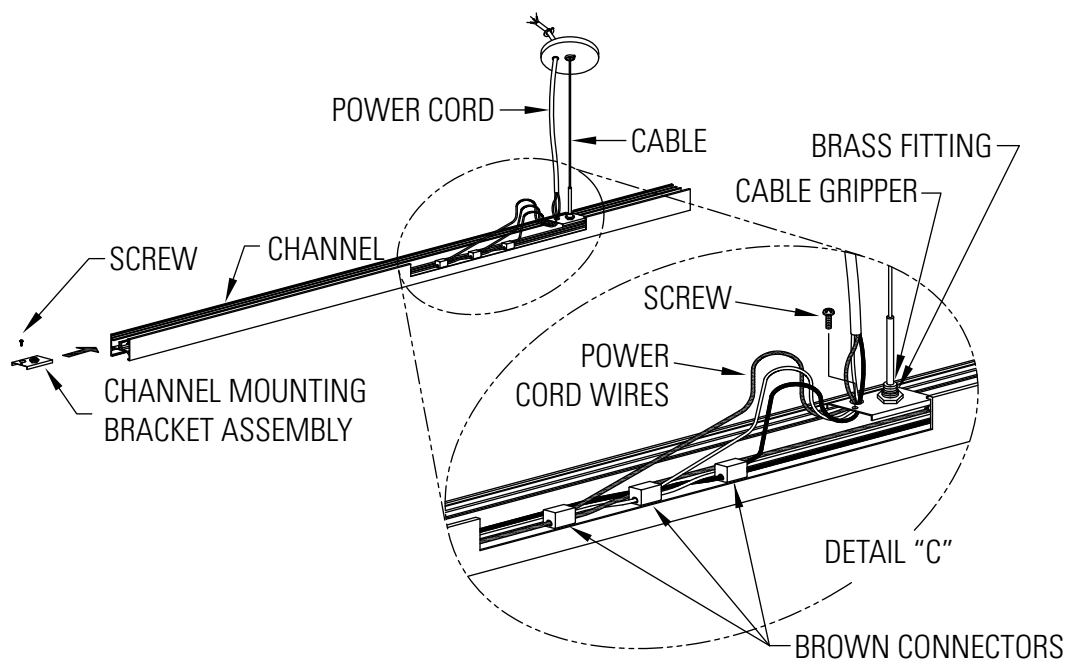


Figure 8

631 Airport Road, Fall River, MA 02720 • (508) 679-8131 • Fax (508) 674-4710
 We reserve the right to change details of design, materials and finish.
 www.lightolier.com © 2008 Philips Group • D1108

CHANNEL CONNECTIONS & WIRING

Step 1.

Fish thru wires (not shown) under FEMALE and MALE SPLINES.

Step 2.

Slide CHANNELS together without pinching wires. (Fig. 9)

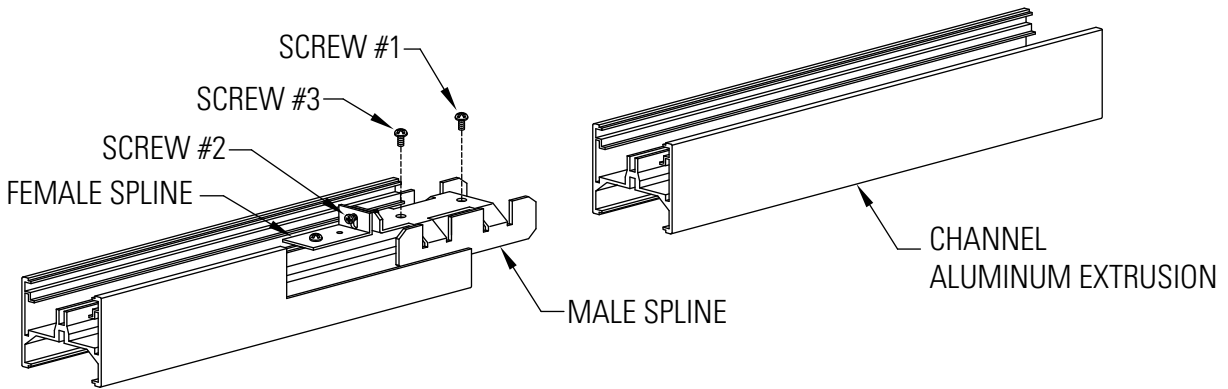


Figure 9

Step 3.

Secure MALE SPLINE to mating channel by SCREW #1 (10-24x3/8) provided.

Step 4.

Remove SCREW #3 and tighten SCREW #2 (8-32x1/2) to create a HAIRLINE JOINT.

Step 5.

Secure joint with SCREW #3 (10-24x3/8). (Fig. 10)

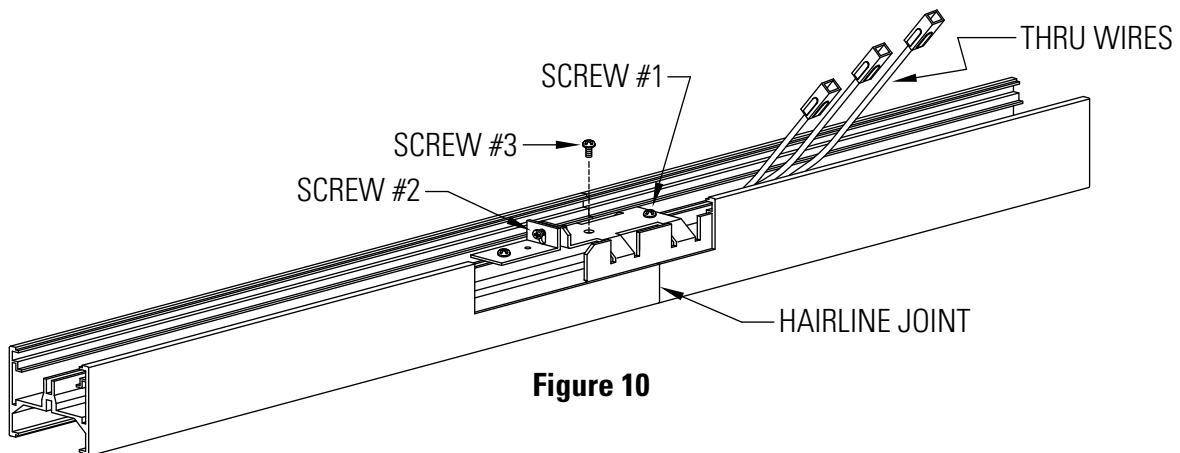


Figure 10

CHANNEL CONNECTIONS & WIRING (CONT'D)

Step 6.

Connect THRU WIRES with color coded QUICK CONNECTORS. (Fig. 11)

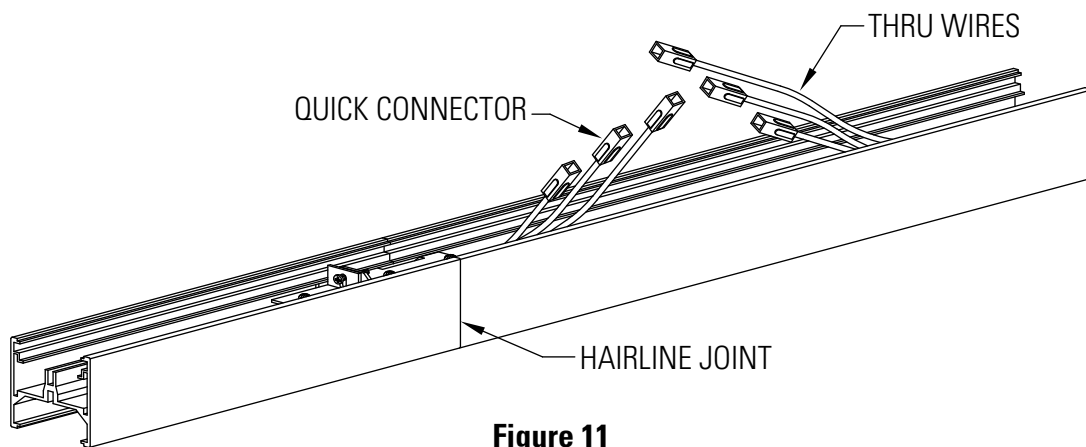


Figure 11

MODULE WIRE & MOUNTING

Step 1.

Determine where MODULE is to be mounted.

Step 2.

Remove WIRE-WAY COVER from top of CHANNEL above MODULE mounting location, and remove SNAP-IN COVER from below.

Step 3.

Feed SUPPLY WIRES, from PARTS BAG, up-through 3/8" slotted hole on CHANNEL.

Step 4.

Connect SUPPLY WIRES to thru wires using BROWN CONNECTORS, from PARTS BAG, according to color. Note: See Fig. 12 below for proper spacing [2" (5.08cm) -3" (7.62cm)] of connections.

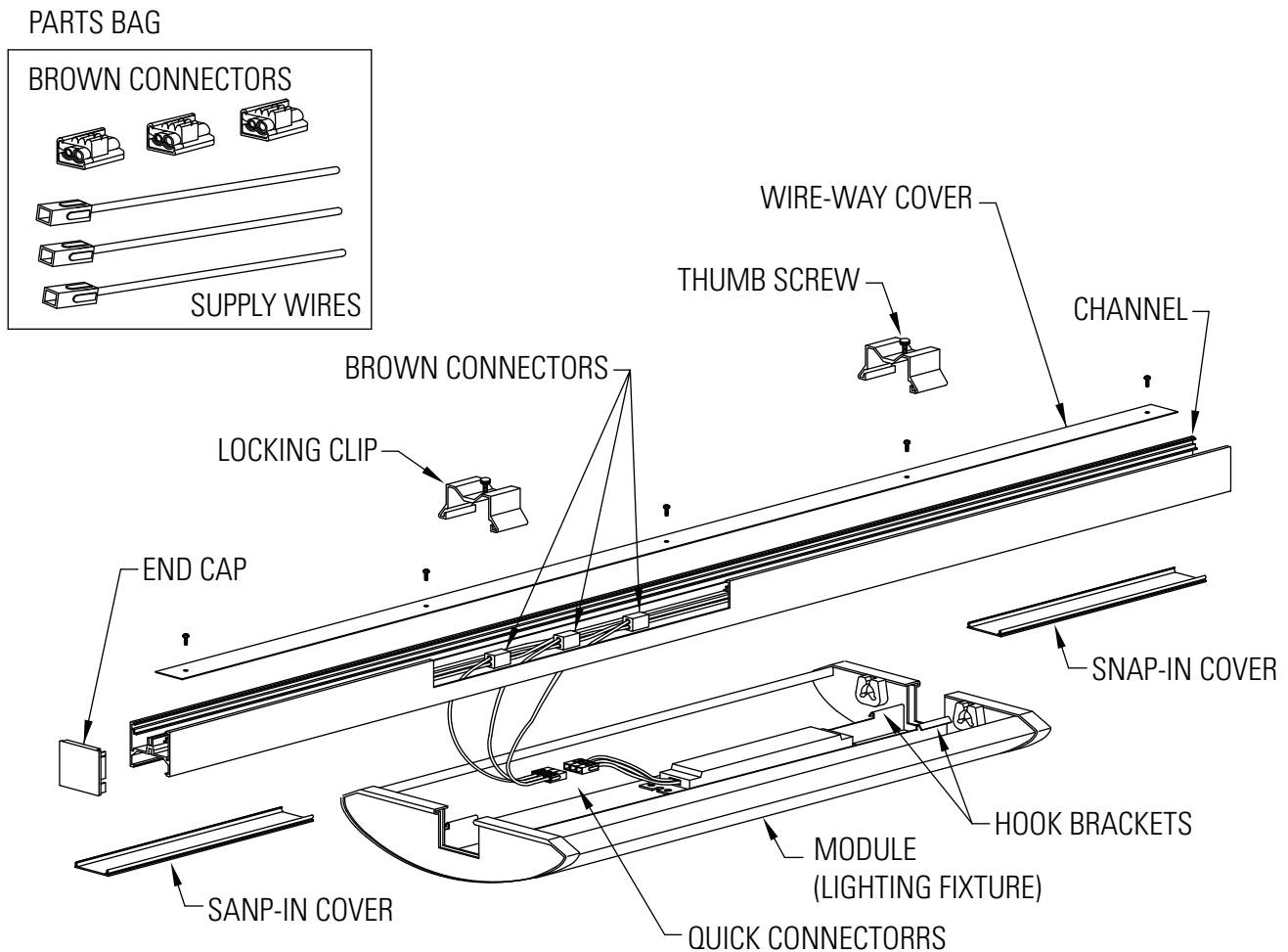


Figure 12

631 Airport Road, Fall River, MA 02720 • (508) 679-8131 • Fax (508) 674-4710
 We reserve the right to change details of design, materials and finish.
 www.lightolier.com © 2008 Philips Group • D1108

MODULE WIRE & MOUNTING (CONT'D)

Step 5.

For individual fixtures make connections with WIRE-NUTS provided.

Step 6.

Raise MODULE near and connect MODULE with color coded QUICK CONNECTORS.

Step 7.

Raise MODULE up to CHANNEL and without pinching wires, slide LOCKING-CLIPS into HOOK-BRACKET. Secure with THUMB SCREWS.

Step 8.

Replace WIRE-WAY COVER on top of CHANNEL.

Step 9.

Measure exposed CHANNEL areas and cut SNAP-IN COVER accordingly

Step 10.

Cover exposed CHANNEL areas with SNAP-IN COVERS.

MULTI-LYTE TRACK MOUNTING

Step 1.

Determine where TRACK is to be mounted.

Step 2.

Remove WIRE-WAY COVER from CHANNEL above TRACK mounting location, and SNAP-IN COVERS below.

Step 3.

Unscrew COVER from LIVE END.

Step 4.

Pass SUPPLY LEADS, from PARTS BAG, into LIVE END.

Step 5.

Strip and form SUPPLY LEADS to fit in LIVE END. Fasten leads to SCREW TERMINALS: GROUND LEAD to GREEN GROUND SCREW. WHITE LEAD to terminal marked Neut, and BLACK LEAD to remaining terminal as described in the Track Power Feed Instruction Sheets. (Fig. 13)

Step 6.

Replace COVER to LIVE END.

Step 7.

Feed opposite end of SUPPLY LEADS up-thru any of the 3/8" (0.95cm) slotted hole on CHANNEL.

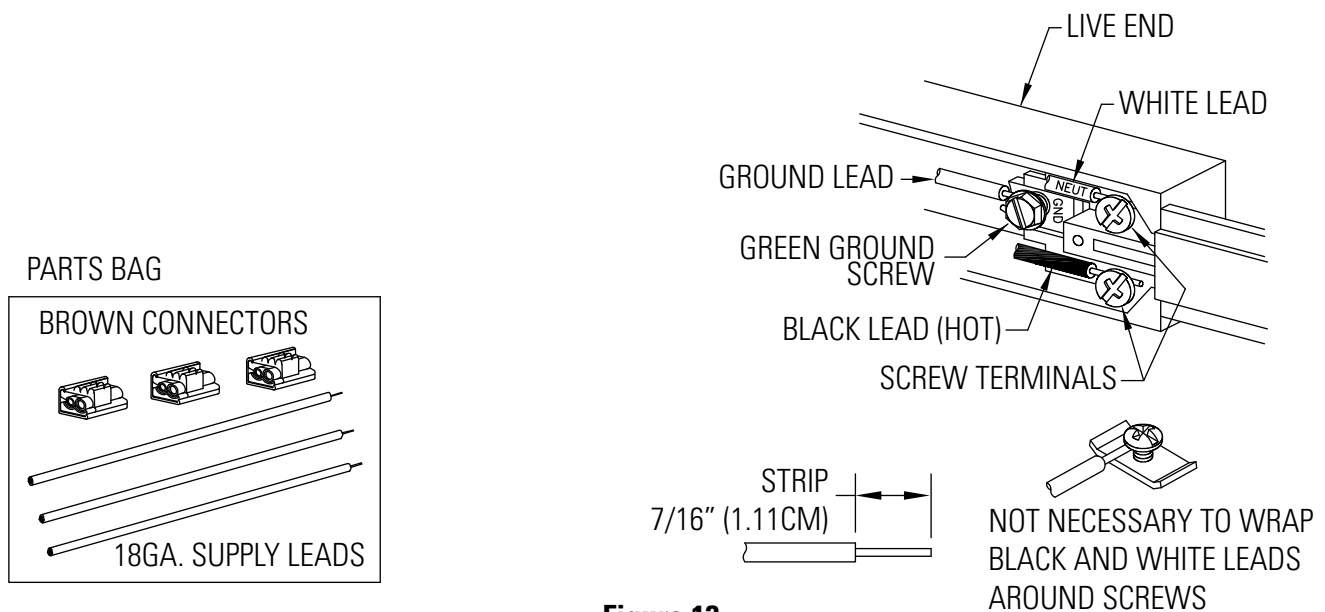


Figure 13

MULTI-LYTE TRACK MOUNTING (CONT'D)

Step 8.

Connect SUPPLY LEADS to THRU WIRES using BROWN CONNECTORS, from PARTS BAG, according to color.

Note: See Fig. 14 for proper connection spacing.

Step 9.

Attach TRACK and TRACK ADAPTER to CHANNEL with PLASTIC WASHER and FLAT HEAD SCREWS provided with TRACK.

Step 10.

Replace WIRE-WAY COVER on top of CHANNEL.

Step 11.

Measure exposed CHANNEL areas and cut SNAP-IN COVER accordingly.

Step 12.

Cover exposed CHANNEL areas with SNAP-IN COVERS.

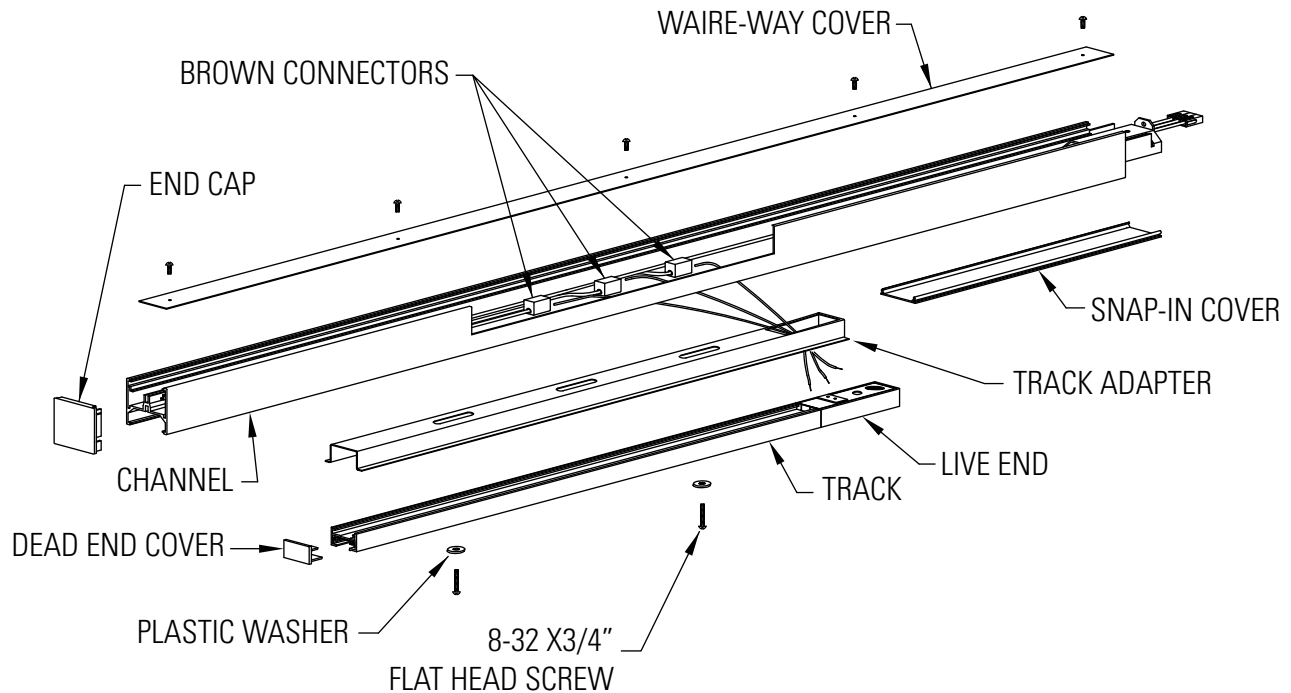


Figure 14

X, L, T-JOINER MOUNTING

Step 1.

Remove CHANNEL MOUNTING BRACKET ASSEMBLY from CABLE or STEM SET and discard. (Fig. 14)

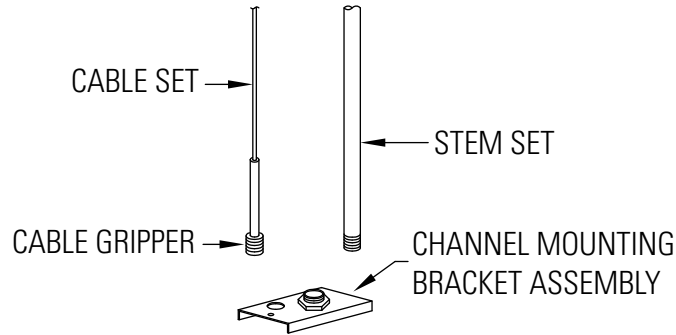


Figure 15

Step 2.

Attach STEM or CABLE to JOINERS by screwing STEM or CABLE GRIPPER into Joiner BRASS FITTING and tighten securely.

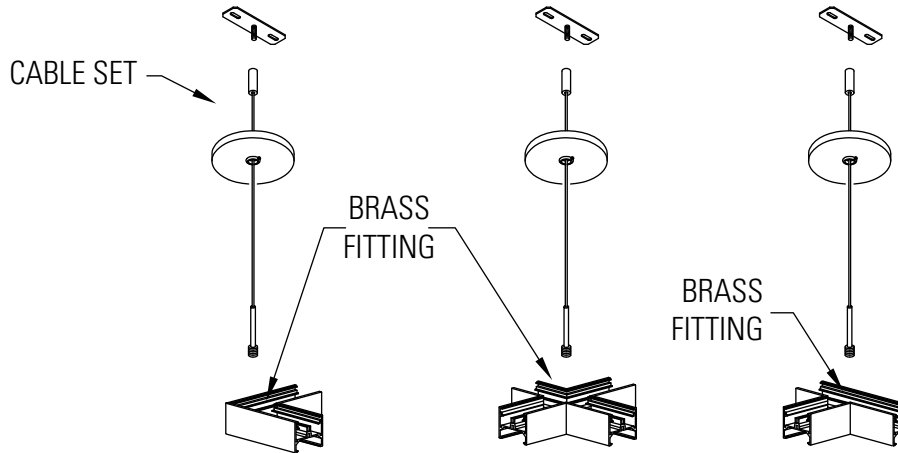


Figure 16

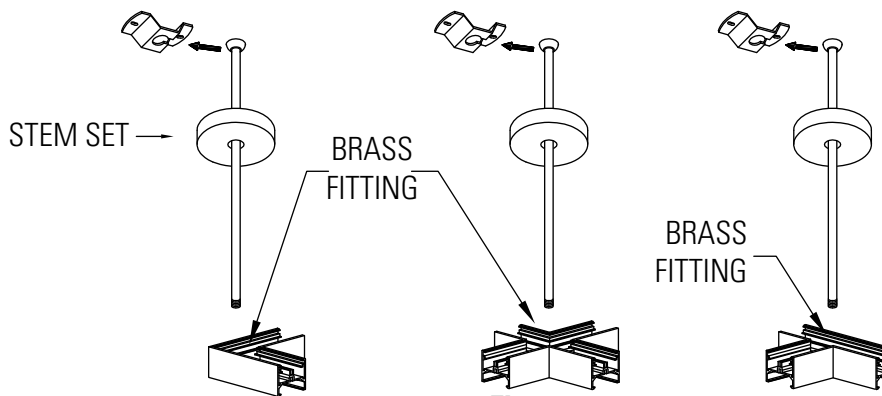


Figure 17

X, L, T-JOINER MOUNTING (CONT'D)

Step 3.

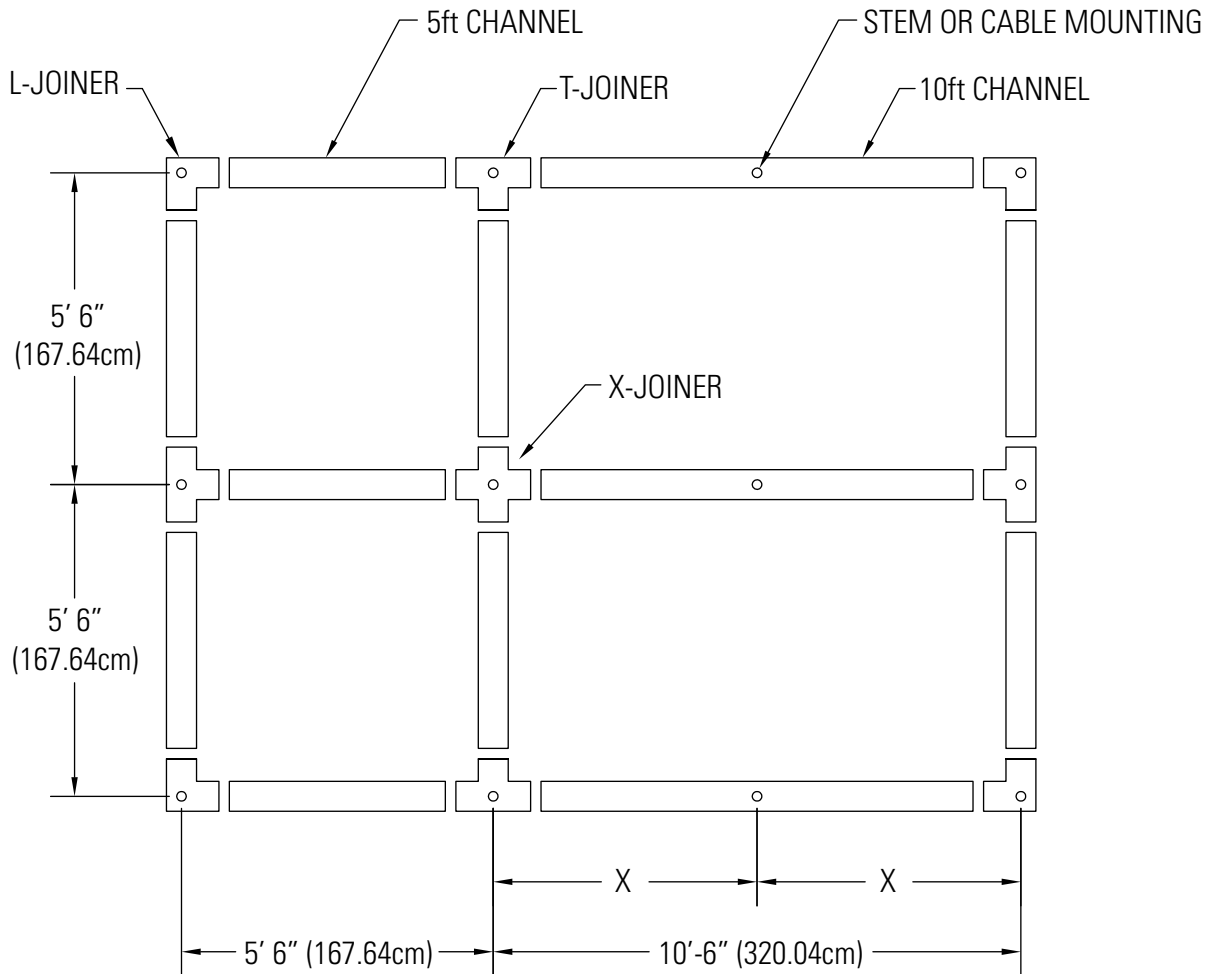
Refer to page 10 and 11 for Spline Connections and pages 3 through 6 for Stem/Cable Mounting.

**ATTENTION: Maximum distance between suspension points is 9ft (274.32cm).
Maximum load on each 10-foot section is 80lbs (36.29kg).**

Note: Each 4-foot module weighs a maximum of 20 pounds (9.07kg) . Each 8-foot module weighs a maximum of 40 pounds (18.14kg).

PATTERNS

All MALE SPLINES from CHANNELS must be removed to order to join them as patterns.
 (Note: All X, L, T-JOINERS come with MALE SPLINES)



Note: Maximum distance between mounting locations is 9' (274.32cm)

Figure 18