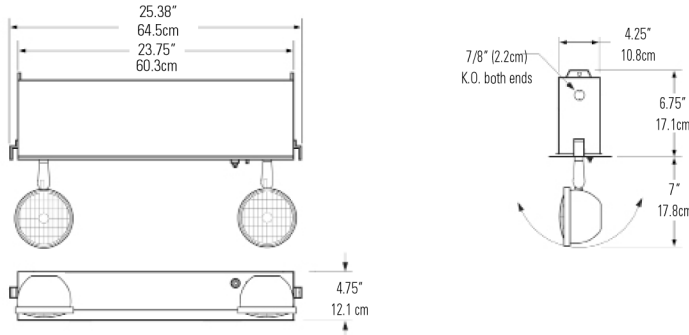


6 volt emergency lighting units designed for suspended ceiling installations. Units feature rugged steel construction and high output halogen lighting heads.



How to Specify:

SERIES	VOLTAGE	BATTERY WATTAGE	LAMP TYPE	HOUSING COLOR
MJ3 = Chicago Troffer Unit	1 = 6V 2 = 12V	25L = 25w Lead Calcium (6v) 50L = 50w Lead Calcium (6v) 30L = 30w Lead Calcium (12v) 50L = 50w Lead Calcium (12v)	H12 = Halogen 12w	W = White

Features

- 1. Illumination:** High output incandescent maximize illumination characteristics through a specially designed reflector and glass lens assembly that provides glare-free light distribution.
- 2. Housing:** Heavy duty steel cabinet is finished in white baked-on powder paint providing scratch and corrosion resistance. *Lighting Heads:* All metal lamp housing and swivel assemblies in neutral cream color to match unit housing. Lighting heads are fully adjustable and feature lockable swivels.
- 3. Electronics:** 120/277 VAC dual voltage input with surge-protected, solid-state circuitry. Fully automatic, temperature compensating, variable rate float charging system is complete with low voltage disconnect, AC lockout, brownout protection, AC indicator lamp and test switch.
- 4. Battery:** Maintenance-free, sealed, lead calcium battery has an estimated service life of 5 years, and an operating temperature range of 65°F (19°C) to 85°F (30°C). Pure lead and nickel cadmium batteries are optional.
- 5. Input Power Requirements:** 120/277 VAC, 15 Watt
- 6. Warranty:** Unit (excludes lamps) 3 years, Battery full 3 years, 7 years pro rata.

Code Compliance

All models are UL924 Listed and meet NFPA 101 Life Safety Code, NEC, OSHA and City of Chicago codes

Options

- V** = Voltmeter ⁽¹⁾
 - A** = Ammeter ⁽¹⁾
 - B** = Black Finish - Lighting Heads and Trim Plate
 - SP** = Special Paint Finish - Specify Color
 - A1H** = Three Factory Installed Lighting Heads (50w units only)
 - A2H** = Four Factory Installed Lighting Heads (50w units only)
 - SX** = Self-Diagnostic Circuit
 - GCP** = Pure Lead Battery - Prefix Model No. (25w units only)
 - GCN** = Nickel Cadmium Battery
- (1) Unit has provisions for one meter option only.

Accessories

- MJ908W08** = Matching 6 Volt Remote Head-Single (6V, 12W)
- MJ909W08** = Matching 6 Volt Remote Head-Double (6V, 12W)

Job Information	Type:
Job Name:	
Cat. No.:	
Lamp(s):	
Notes:	

631 Airport Road, Fall River, MA 02720 • (508) 679-8131 • Fax (508) 674-4710
 We reserve the right to change details of design, materials and finish.
 www.lightolier.com © 2008 Philips Group • A0508