

MD*4™ 2'x2' Recessed Fluorescent **MDS2G36PS4FT**

Page 1 of 2

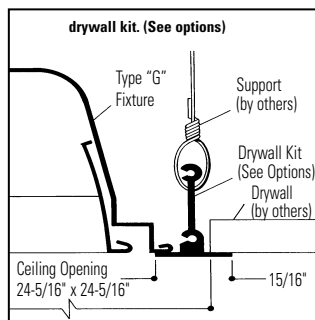
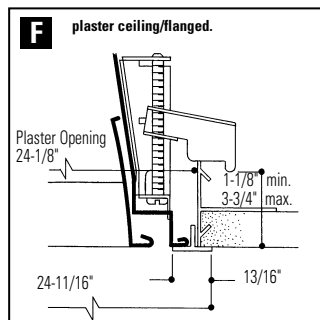
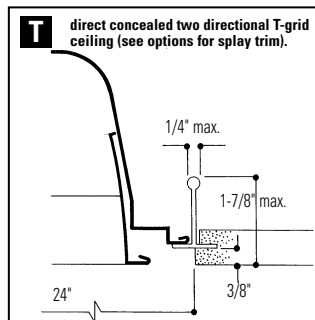
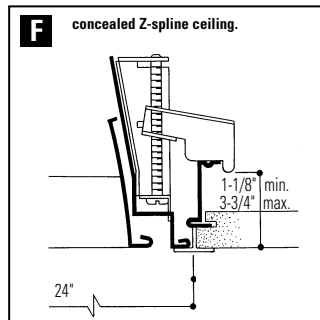
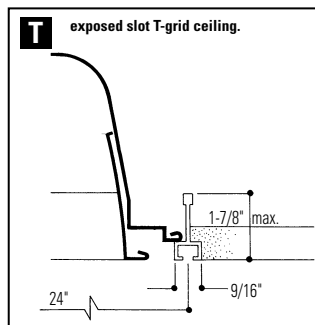
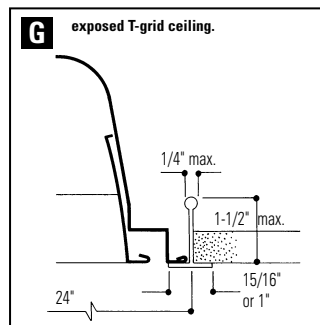
Examination Light, 1-1/2" Deep, 36 Cell (6 Rows) Parabolic Louver, Static, 4 Lamp TT5

Features

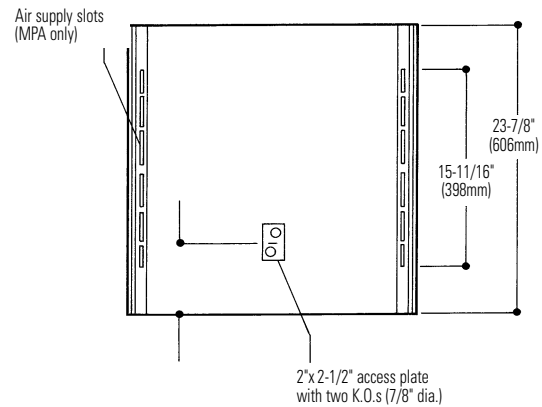
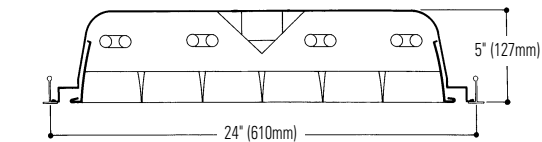
- 2 units provide 123 footcandles on patients bed when installed over each end of bed.
- Utilizes 4-40 watt Biax type lamps with excellent color rendition (82 CRI).
- Efficiency 55.9%.
- Electronic ballast, standard for cool operation, consumes only 132 watts.
- Only 5" deep.
- 3-1/2" x 3-1/2" cell size.
- Low iridescence specular pre-anodized aluminum louver, standard.
- Louver has prismatic virgin acrylic overlay.
- Louver has protective film dust guard.
- Reversible louver hinging.
- Door jamb with integral positive light stop.
- Spring-loaded "roosterhead" latches.
- Integral earthquake clip (patent number 5,072,344).
- Metal gauge/construction to meet NYC Code requirements is available.



Mounting Methods



Dimensions



Job Information

Type:

Job Name:

Cat. No.:

Lamp(s):

Volts/Ballast:

Lightolier a Genlyte Thomas Company www.lightolier.com
 Technical Information: (978) 657-7600 • Fax (978) 658-0595
 631 Airport Road, Fall River, MA 02720 • (508) 679-8131 • Fax (508) 674-4710
 We reserve the right to change details of design, materials and finish.
 Copyright 2002 Lightolier **Section 8/Folio R40-30 Rev. A**

LIGHTOLIER®



MD*4™ 2'x2' Recessed Fluorescent MDS2G36PS4FT

Photometry

Model No. MDS2G36PS4FT120SB

LER = FP - 51.3 IW - 132 BF - 0.96
Comparative yearly lighting energy cost per 1000 lumens = \$4.67

GT TESTING LABORATORY
45 Industrial Way
Wilmington, MA 01887
(508) 657-7600

REPORT NO.: G93802 DATE: 05-10-1993
CATALOG NO.: MDS2G36PS4FT120SB
LAMP(S): 4 GE F40BX/SBX35/R5, EACH RATED 3150 LUMENS
LUMINAIRE: 2X2 TROP 4 LAMP TT5
W/35 CELL SPECULAR LVR & PRISMATIC OVERLAY
BALLAST: (2) TRIAD HES221120RH
VOLTS: 120 WATTS: 132

CANDELA DISTRIBUTION		FLUX	
0-0	22.5 45.0 67.5 90.0		
0	3736 3736 3736 3736 3736		
5	3736 3736 3736 3736 3736		355
15	3540 3561 3598 3644 3644		1017
25	3129 3162 3276 3417 3466		1513
35	2503 2533 2684 2819 2859		1870
45	1735 1735 1901 1958 1989		1392
55	1060 891 957 1045 1157		811
65	87 165 166 55 42		174
75	8 8 8 7 8		9
85	4 4 3 3 4		4
90	2 2 2 2 2		2

ZONAL LUMEN SUMMARY

ZONE	LUMENS	%LAMP	%FIXT
0-30	2986	22.9	41.0
0-40	4556	36.2	64.7
0-60	6859	54.4	87.4
0-90	7046	55.9	100.0
90-180	0	0.0	0.0
0-180	7046	55.9	100.0

TOTAL LUMINAIRE EFFICIENCY = 55.9 %
TOTAL REFLECTANCE OF PAINT = 89.0 %

CIE TYPE - DIRECT PLANE
SPACING CRITERIA : 1.1 1.3
SHIELDING ANGLES : 90 90
LUMINOUS LENGTH : 21.000 21.000

LUMINANCE DATA IN FOOTLAMBERTS

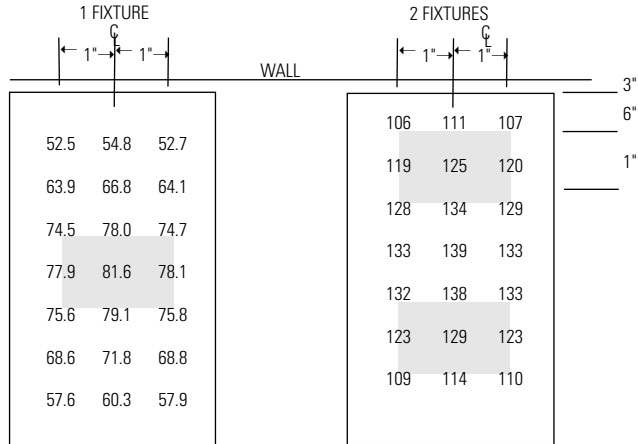
ANGLE	AVERAGE	AVERAGE	AVERAGE
IN DEG	0-DEG	45-DEG	90-DEG
0	3832.	3832.	3832.
45	2617.	2613.	2755.
55	1986.	1712.	2069.
65	235.	403.	102.
75	32.	32.	32.
85	47.	35.	47.

THIS REPORT IS BASED ON PUBLISHED INDUSTRY PROCEDURES • FIELD PERFORMANCE MAY DIFFER FROM LABORATORY PERFORMANCE

coefficients of utilization — zonal cavity method

RC	80			50			30			
	RW	70	50	30	50	30	10	50	30	10
1	63	61	59	57	56	55	55	54	54	54
2	59	56	53	53	51	49	51	49	48	48
3	55	51	47	48	46	44	47	45	43	43
4	51	46	42	44	41	39	43	40	38	38
5	48	42	38	40	37	34	39	38	34	34
6	44	38	34	37	33	31	36	33	31	31
7	41	35	31	34	30	27	33	30	27	27
8	38	31	27	30	27	24	30	26	24	24
9	35	28	24	27	24	21	27	24	21	21
10	33	26	22	25	21	19	25	21	19	19

INITIAL FOOTCANDLE READINGS ON BED



Ordering Information

Explanation of Catalog Number. Example: MDS2G36PS4FT120SBR

Blank = Standard N = NYC Code	MD MD*4 2'x2' Recessed Examination Light	S Body Style: S = Static	2 Fixture Width	36 Number of Cells	4 Lamp Quantity	FT Lamp Fixture Length: FT = Twin Tube TT5 (Nominal 24")	120 or 277 Voltage:	Options: Add appropriate suffix to catalog no, ie: (R)
----------------------------------	---	---------------------------------------	------------------------------	---------------------------------	------------------------------	--	-------------------------------	--

Ceiling Type:
G = Grid (lay-in)
T-bar
F = Flanged (over lap)
Z spline and plaster
frame
T = Slot grid or
two-directional
concealed
T (see options)

Louver:
PS = Low Irrescence
Specular (standard)
With Prismatic
Overlay
LS = Low Irrescence
Semi-Specular
(standard) With
Prismatic Overlay

Ballast:
<20THD
SB*
<10THD
IB*
PB

2-2 Lamp Elec. (TT5)
(40 Watt)
LOL TT5 Dimming
*Instant Start Standard
Other dimming options. Consult factory.

Options/Accessories

Fusing: Internal fast-blow fusing. Suffix: **GLR**.

Internal slow-blow fusing. Suffix: **GMF**.

Radio Interference Filter: 120 or 277 volt, 50 or 60 Hz. One per fixture. Suffix:

R. One per ballast. Suffix: **B**.

Electrical Wiring Options: Consult factory.

Drywall/Plaster: For drywall or plaster ceiling, Order Catalog Number: **FK92X2** (see Folio OA 30-10) or Catalog Number: **S2X2 F Kit** (See Folio OA30-30).

Specifications

Performance: In an installation of 4 lamps 40 W luminaires in a room cavity of 1, with reflectance of 80% ceiling, 50% walls, 20% floor, the C.U. shall not be less than .61. To reduce glare the VCP shall be not less than 87 either length-wise or crosswise (at 100 fc level) and the average brightness at 65° shall not exceed 403 footlamberts. To prevent veiling reflections, luminaire output in the 30°-90° zone shall be not less than 59.0%.

Materials: Chassis parts are die-formed code gauge cold rolled steel. Housing has all edges turned over for safe handling.

Louver: Pre-anodized aluminum (Coilzak® or equal).

Overlay: Prismatic virgin acrylic, pattern 12.

Finish: Cavity—white baked polyester enamel minimum reflectance 86%.

Phosphate undercoating. **Chassis exterior**—black baked polyester enamel to reduce ballast temperature.

Specifications (continued)

Louver: PS = low iridescence specular pre-anodized aluminum (standard).

LS = low iridescence semi-specular pre-anodized aluminum. Note: both louver selections come with a virgin acrylic overlay to enclose all lamps. **VA** = .095" nominal thickness prismatic virgin acrylic.

Electrical: Instant start HPF, SB (Biax Type) thermally protected class "P" electronic ballast UL-listed. If K.O. is within 3" of ballast, use wire suitable for at least 90°.

Labels: I.B.E.W./UL and ULc Listed.

Job Information

Type:

Lightolier a Genlyte Thomas Company www.lightolier.com
Technical Information: (978) 657-7600 • Fax (978) 658-0595
631 Airport Road, Fall River, MA 02720 • (508) 679-8131 • Fax (508) 674-4710
We reserve the right to change details of design, materials and finish.
Copyright 2002 Lightolier **Section8/Folio R40-30 REV. A**

LIGHTOLIER