

# Mini-Beam HP 2' x 4' Recessed Fluorescent **MBS2GHP154/254**

Page 1 of 2

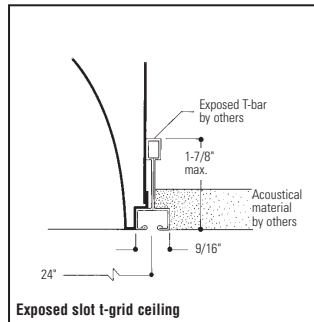
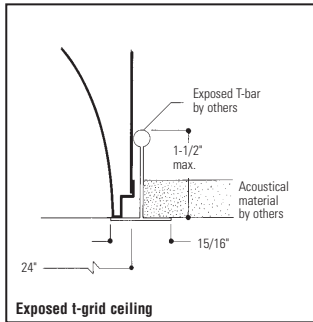
Direct/Indirect, Static, 1 and 2 Lamp, Linear T5, 54 Watt

## Features

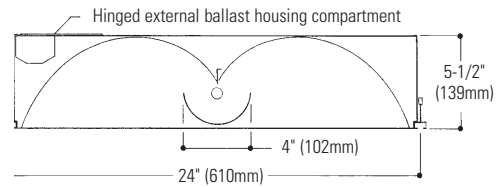
- Can provide 47.3 maintained footcandles of balanced brightness illumination at only 0.73 watts per square foot.
- 92.7% efficient (1 lamp, 54 watt).
- 95.2% efficient (2 lamp, 54 watt).
- Spacing to mounting ratio 1.5 (1 lamp 54 watt).
- Spacing to mounting ratio 1.4 (2 lamp 54 watt).
- Direct/indirect appearance with soft contoured interior.
- Four inch wide white acrylic lens.
- Only 5-1/2" deep.
- Same fixture fits both G and T ceiling types.
- Fits flush to face of slot grid (T) ceiling types.
- Lamp shield hinges from either side.
- Hinged external ballast housing compartment.
- Can be continuous row mounted.
- Wiring access plate standard.
- 4 hold-down clips standard.
- Housing is 20 gauge steel, meets NYC Code requirements.



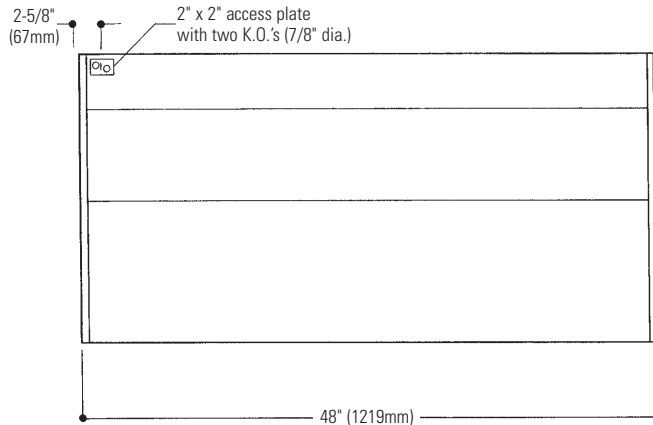
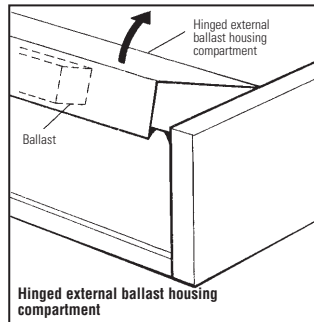
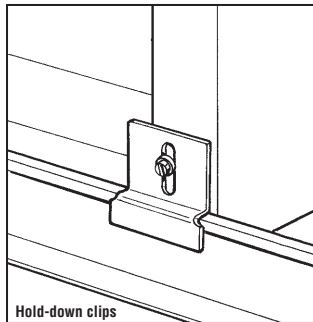
## Mounting Methods



## Dimensions



## Features



## Job Information

## Type:

**Job Name:**

**Cat. No.:**

**Lamp(s):**

**Volts/Ballast:**

Lightolier a Genlyte company

www.lightolier.com

Technical Information: (978) 657-7600 • Fax (978) 658-0595

631 Airport Road, Fall River, MA 02720 • (508) 679-8131 • Fax (508) 674-4710

We reserve the right to change details of design, materials and finish.

© 2005 a Genlyte company

Section 5/Folio M20-24

# Mini-Beam HP 2' x 4' Recessed Fluorescent **MBS2GHP154/254**

## Model No. MBS2GHP154120PG

LER = FP - 67.4 IW - 63.7 BF - 1.05  
Comparative yearly lighting energy cost per 1000 lumens = \$3.56

Report Number: G2005266  
Catalog Number: MBS2GHP154120PG  
Lamp: FP28/835  
Luminaire: MBS with solid white lens  
Ballast: B2541UNV-E  
Report is based on 4400 lumens per lamp.  
Efficiency: 92.7%  
CIE Type-Direct-Indirect  
Plane: 0-Deg. 90-Deg.  
Spacing Criteria: 1.2 1.5  
Shielding Angles: 90 90  
Plane: 0-Deg. 90-Deg.  
Luminous Length: 46.800 22.800

### CANDELA DISTRIBUTION

0.0	45.0	90.0	FLUX
0	1267	1267	1267
5	1245	1256	1250 119
15	1190	1174	1160 333
25	1088	1091	1174 516
35	955	1061	1221 674
45	790	1024	1117 757
55	614	821	813 685
65	424	549	590 525
75	213	352	434 357
85	42	110	136 113
90	3	3	5

### COEFFICIENTS OF UTILIZATION - ZONAL CAVITY METHOD. EFFECTIVE FLOOR CAVITY REFLECTANCE 0.20

RC	80	50	30
RW	70	50	30
1	100 95 91 89 86 83 85 83 80		
2	90 82 76 77 72 67 74 70 66		
3	82 72 64 67 61 56 65 59 55		
4	75 63 55 60 53 47 57 51 46		
5	69 56 47 53 46 40 51 45 40		
6	63 50 42 48 40 35 46 40 35		
7	58 45 37 43 36 31 42 35 31		
8	54 41 33 39 32 27 38 32 27		
9	51 38 30 36 29 25 35 29 24		
10	47 35 27 33 27 22 33 26 22		

### LUMINANCE DATA IN CANDELA/SQ. METER

AVERAGE IN DEG.	AVERAGE 0-DEG.	AVERAGE 45-DEG.	AVERAGE 90-DEG.
45	1623.	2103.	2293.
55	1555.	2078.	2058.
65	1457.	1886.	2029.
75	1194.	1975.	2433.
85	693.	1839.	2266.

### ZONAL LUMEN SUMMARY

ZONE	LUMENS	% LAMP	% FIXT
0- 30	968	22.0	23.7
0- 40	1642	37.3	40.3
0- 60	3084	70.1	75.6
0- 90	4080	92.7	100.0
90-180	0	0.0	0.0
0-180	4080	92.7	100.0

## Model No. MBS2GHP254120PG

LER = FP - 68.3 IW - 122.4 BF - 1.0  
Comparative yearly lighting energy cost per 1000 lumens = \$2.52

Report Number: G2005256  
Catalog Number: MBS2GHP254120PG  
Lamp: FP54T5 HO  
Luminaire: MBS with high performance prismatic lens  
Ballast: QT2X54  
Report is based on 4400 lumens per lamp.  
Efficiency: 95.2%  
CIE Type-Direct-Indirect  
Plane: 0-Deg. 90-Deg.  
Spacing Criteria: 1.3 1.4  
Shielding Angles: 90 90  
Plane: 0-Deg. 90-Deg.  
Luminous Length: 46.800 22.800

### CANDELA DISTRIBUTION

0.0	45.0	90.0	FLUX
0	2472	2472	2472
5	2454	2495	2528 239
15	2369	2549	2648 716
25	2210	2489	2564 1125
35	1983	2274	2298 1383
45	1682	1950	2104 1488
55	1315	1561	1717 1382
65	876	1123	1269 1093
75	436	743	879 733
85	84	223	245 217
90	5	5	5

### COEFFICIENTS OF UTILIZATION - ZONAL CAVITY METHOD. EFFECTIVE FLOOR CAVITY REFLECTANCE 0.20

RC	80	50	30
RW	70	50	30
1	103 98 94 92 88 85 88 85 83		
2	93 85 79 79 74 69 76 72 68		
3	84 74 66 69 63 58 67 61 57		
4	77 65 56 61 54 49 59 53 48		
5	71 58 49 55 47 42 53 46 41		
6	65 52 43 49 42 36 48 41 36		
7	60 47 38 45 37 32 43 37 32		
8	56 43 35 41 34 29 40 33 28		
9	52 39 31 38 31 26 36 30 25		
10	49 36 28 35 28 23 34 27 23		

### LUMINANCE DATA IN CANDELA/SQ. METER

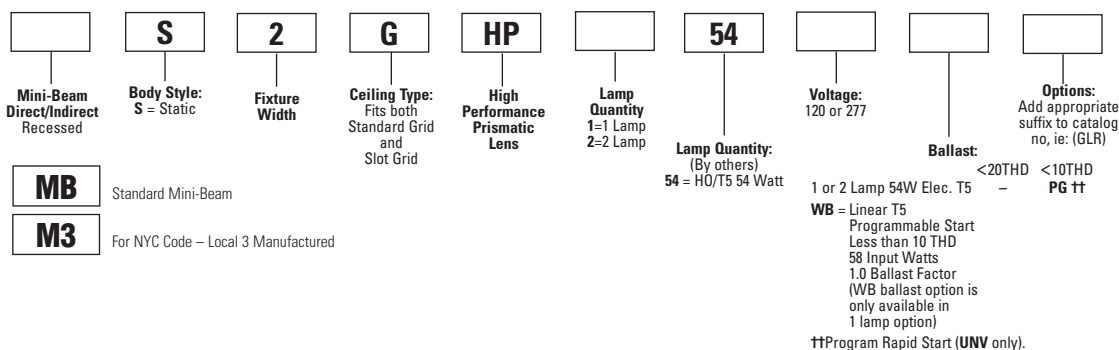
AVERAGE IN DEG.	AVERAGE 0-DEG.	AVERAGE 45-DEG.	AVERAGE 90-DEG.
45	3454.	4004.	4321.
55	3329.	3952.	4347.
65	3010.	3859.	4360.
75	2446.	4169.	4932.
85	1400.	3715.	4082.

### ZONAL LUMEN SUMMARY

ZONE	LUMENS	% LAMP	% FIXT
0- 30	2080	23.6	24.8
0- 40	3462	39.3	41.3
0- 60	6332	72.0	75.6
0- 90	8375	95.2	100.0
90-180	0	0.0	0.0
0-180	8375	95.2	100.0

## Ordering Information

Explanation of Catalog Number. Example: MBS2GHP154120WBGLR



## Options/Accessories

**Fusing:** Internal fast-blow fusing. Suffix: **GLR**.  
Internal slow-blow fusing. Suffix: **GMF**.

**Electrical/Wiring Options:** Consult factory.

## Specifications

**Performance:** In an installation of 1 lamps 54W luminaires in a room cavity of 1, with reflectance of 80% ceiling, 50% walls, 20% floor, the C.U. shall not be less than .95. To control veiling reflections, luminaire output in the 30°-90° zone shall not be less than 76.3%.

**Materials: Housing** is die-formed 20 gauge steel.

**Finish: Chassis exterior**-baked white acrylic enamel. **Reflector**-baked flat white acrylic enamel, minimum 86% reflectance. Phosphate undercoating.

**Lamp Shield**-White Virgin Acrylic Lens.

**Electrical:** Thermally protected class "P" ballast C.B.M. approved, non PCB. If K.O. is within 3" of ballast, use wire suitable for at least 90°.

**Labels:** I.B.E.W./UL and ULc Listed.

## Job Information

## Type:

**Lightolier** a Genlyte company [www.lightolier.com](http://www.lightolier.com)  
Technical Information: (978) 657-7600 • Fax (978) 658-0595  
631 Airport Road, Fall River, MA 02720 • (508) 679-8131 • Fax (508) 674-4710  
We reserve the right to change details of design, materials and finish.  
© 2005 a Genlyte company **Section 5/Folio M20-24**