

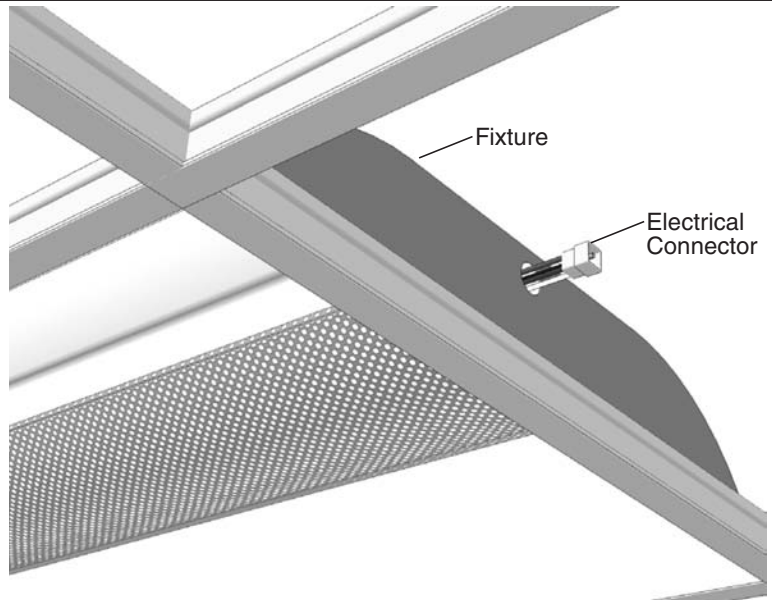
Lightolier

45 INDUSTRIAL WAY, WILMINGTON, MA 01887

ULM MODULE MOTION OR DAYLIGHT SENSOR ENCLOSURE INSTALLATION INSTRUCTIONS

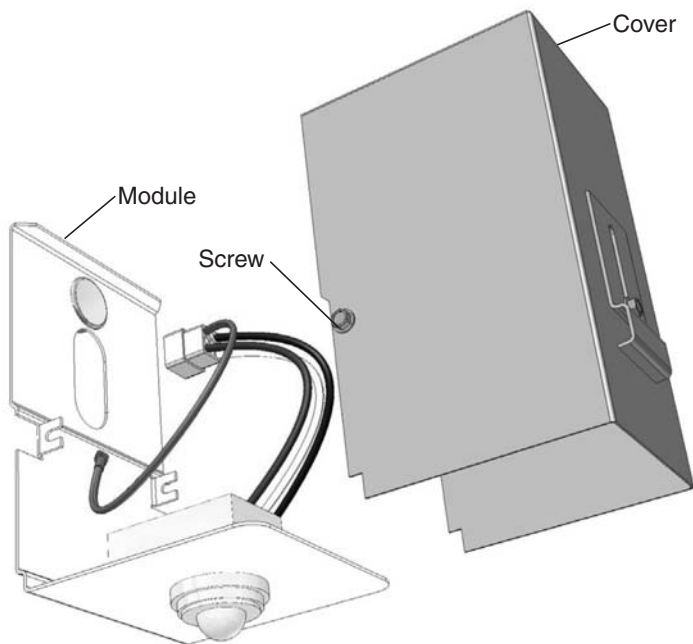
1

Install the fixture. The Electrical Connector for the Module must be accessible through the knockout at the end of the Fixture prior to the Module being installed.



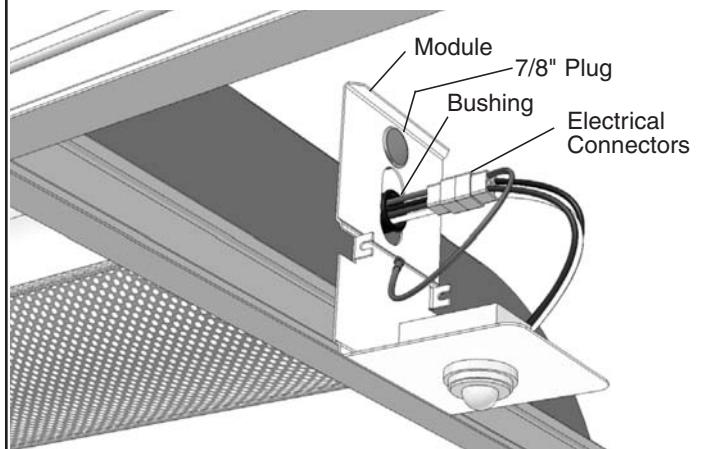
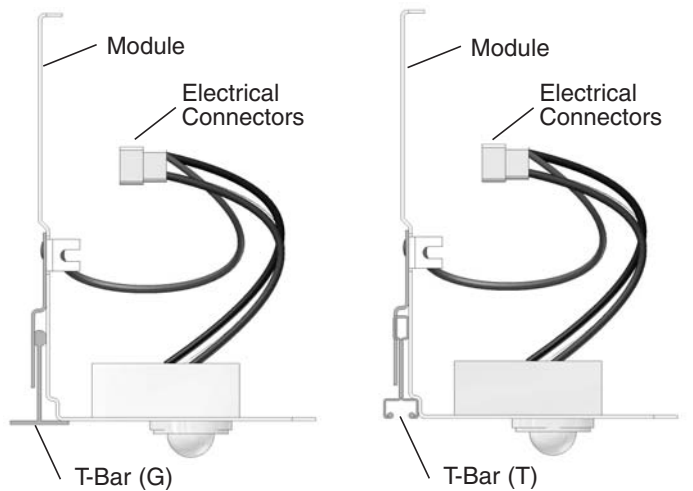
2

REMOVE COVER
Remove the Cover from the Module by loosening the 2 Screws.

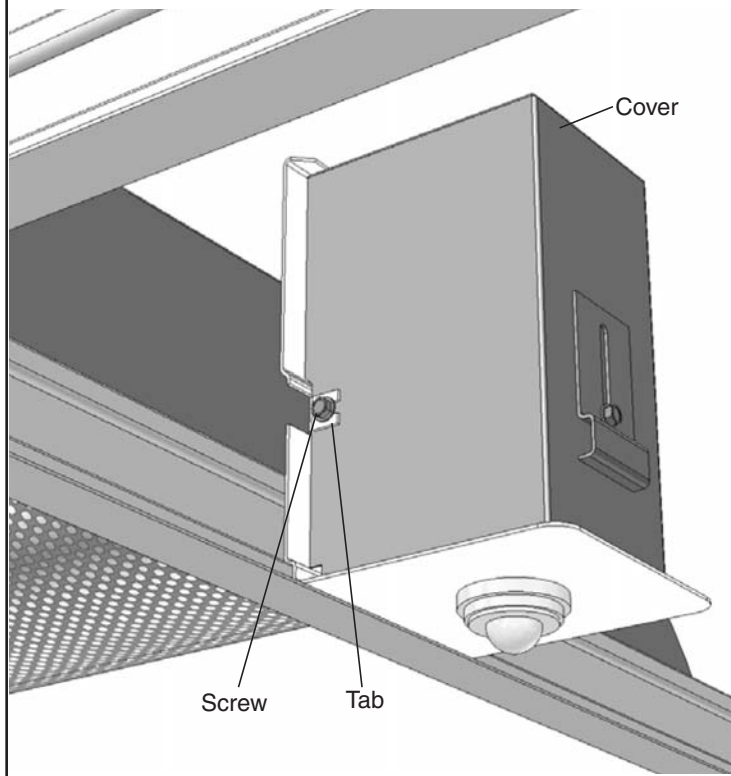


3

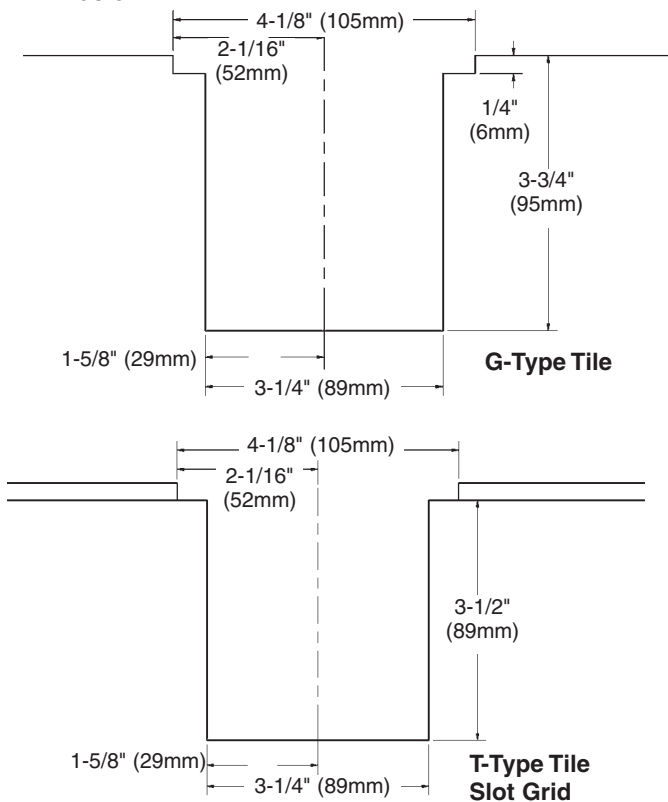
MOUNTING AND ELECTRICAL CONNECTIONS
Mount Module to T-Bar, mate Electrical Connections, install Bushing and install 7/8" Plug if necessary.



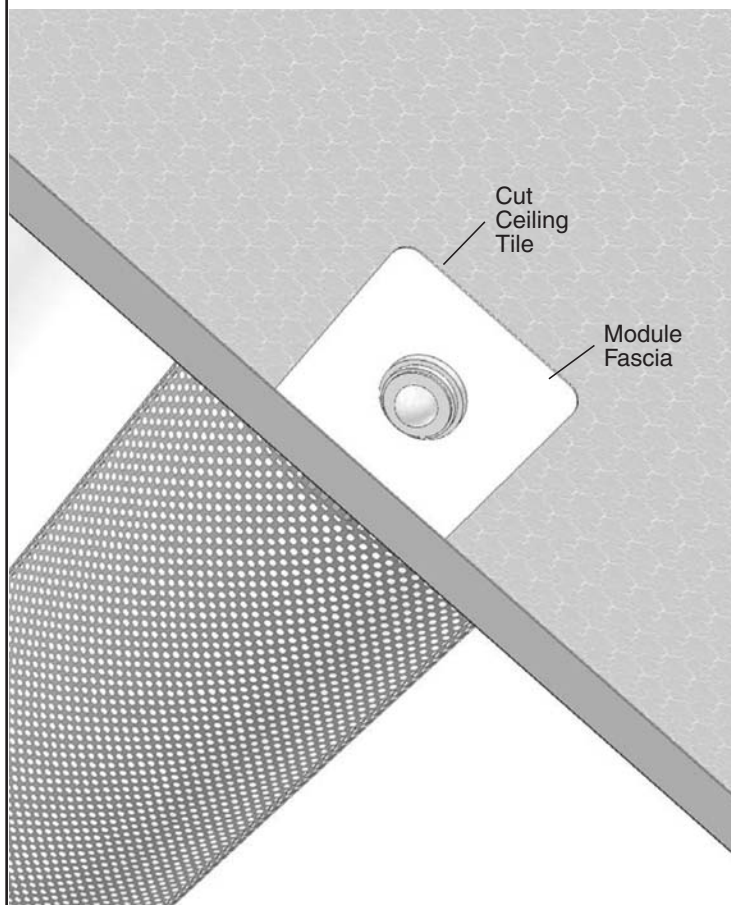
- ④ **ATTACH COVER**
 Attach Cover by sliding the Screws from the Cover over the two Tabs and fasten securely.



- ⑤ **DIMENSIONS TO CUT TILE**
 Cut Ceiling Tile in the center using the dimensions below.



- ⑥ **TILE**
 Install cut Ceiling Tile.



- ⑦ **HD CLIP**
 Adjust HD Clip to ensure Module Fascia sits flush to Ceiling Tile. Installation is complete.

