

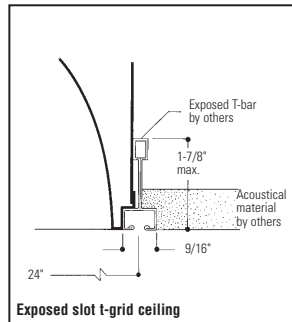
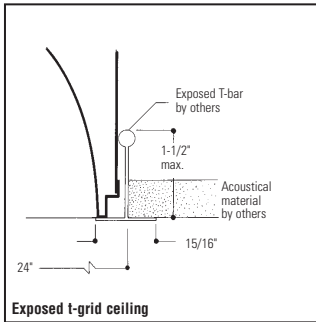
# Mini-Beam 2' x 2' Recessed Fluorescent **MBS2GPW1FT**

## Features

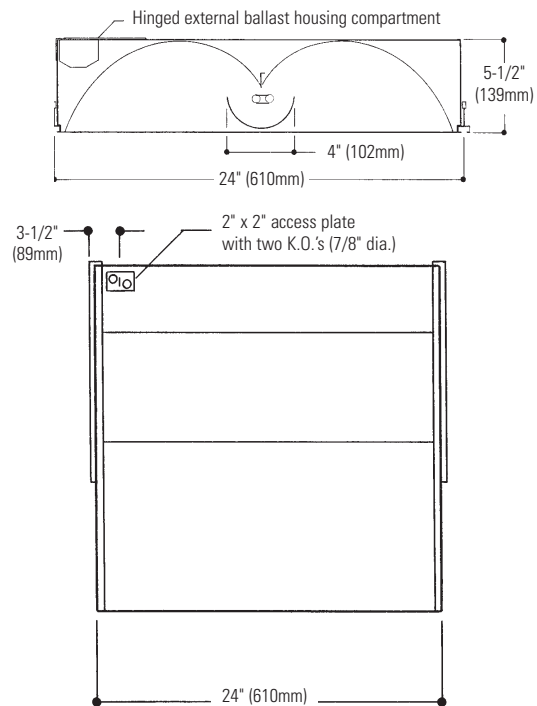
- Direct/indirect lamp shield appearance with soft contoured interior.
- Four inch wide perforated mesh lamp shield with white acrylic overlay.
- 66.4% efficient.
- Only 5-1/2" deep.
- Same fixture fits both G and T ceiling types.
- Fits flush to face of slot grid (T) ceiling types.
- Lamp shield hinges from either side.
- Hinged external ballast housing compartment.
- Can be continuous row mounted.
- Wiring access plate standard.
- 4 hold-down clips standard.
- Housing is 20 gauge steel, meets NYC Code requirements.
- Optional DALI ballast accepts digital dimming commands from computers, scene controllers and automatic control devices.



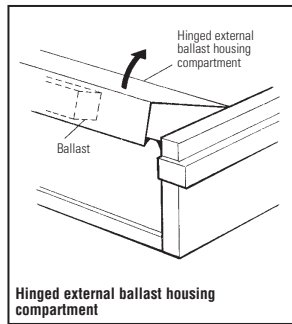
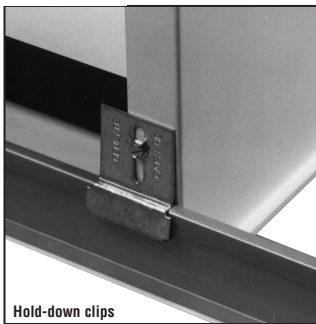
## Mounting Methods



## Dimensions



## Features



Job Information	Type:
<b>Job Name:</b>	
<b>Cat. No.:</b>	
<b>Lamp(s):</b>	
<b>Volts/Ballast:</b>	

**Lightolier** a Genlyte Thomas Company [www.lightolier.com](http://www.lightolier.com)  
 Technical Information: (978) 657-7600 • Fax (978) 658-0595  
 631 Airport Road, Fall River, MA 02720 • (508) 679-8131 • Fax (508) 674-4710  
 We reserve the right to change details of design, materials and finish.  
 Copyright 2004 Lightolier **Section 5/Folio M20-15 Rev. A**

**LIGHTOLIER®**

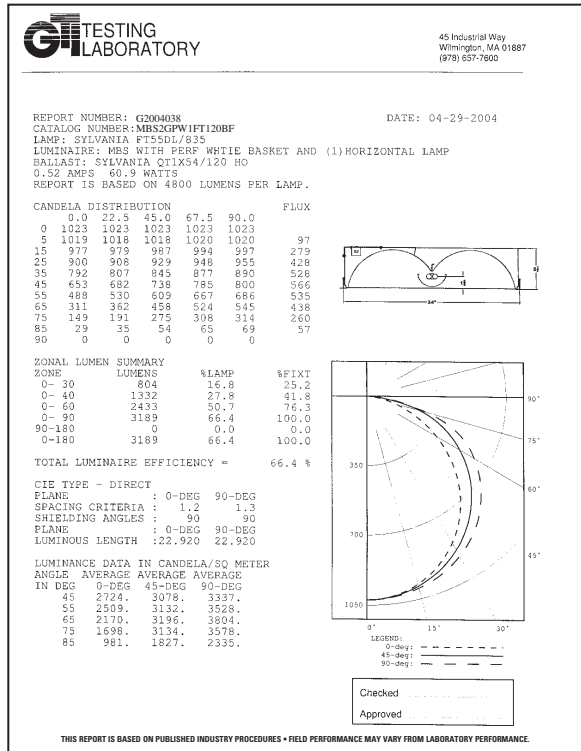
# Mini-Beam 2' x 2' Recessed Fluorescent **MBS2GPW1FT**

## Photometry

Model No. **MBS2GPW1FT120BF**

LER = FL - 47.8 IW - 60.9 BF - 0.92

Comparative yearly lighting energy cost per 1000 lumens = \$5.02



**coefficients of utilization — zonal cavity method** (effective floor cavity reflectance 0.20)

RW	20			20			20		
	70	50	30	50	30	10	50	30	10
1	72	69	66	64	62	60	62	60	58
2	65	59	55	56	52	49	54	51	48
3	59	52	46	49	44	41	47	43	40
4	54	46	40	43	38	34	42	37	34
5	50	41	35	39	33	29	37	33	29
6	46	37	30	35	30	26	34	29	25
7	42	33	27	31	26	23	30	26	22
8	39	30	24	29	24	20	28	23	20
9	37	28	22	26	22	18	26	21	18
10	34	25	20	24	20	16	24	19	16

### visual comfort probability

W	room size				ceiling height				ceiling height				
	L	8.5	10.0	13.0	16.0	8.5	10.0	13.0	16.0	8.5	10.0	13.0	16.0
20	20	56	64	75	86	46	55	69	83				
20	30	53	57	64	74	41	44	52	66				
20	40	53	55	60	66	39	41	45	53				
20	60	53	55	57	61	38	39	41	46				
30	20	55	62	72	83	49	56	68	80				
30	30	51	55	61	70	43	45	51	63				
30	40	51	52	56	62	40	41	43	50				
30	60	51	52	53	57	38	39	39	43				
30	80	52	53	52	56	39	39	38	41				
40	20	56	61	70	80	52	58	68	79				
40	30	52	54	59	68	45	47	52	63				
40	40	51	52	54	60	42	43	44	50				
40	60	51	51	51	55	40	41	40	43				
40	80	52	52	51	53	40	40	38	40				
40	100	53	53	51	53	41	40	38	39				
60	30	53	55	58	66	48	50	53	63				
60	40	52	52	53	58	45	45	45	50				
60	60	51	51	50	53	42	42	40	43				
60	80	52	51	49	51	42	41	38	40				
60	100	53	52	50	51	42	41	38	39				
100	40	55	55	54	58	50	50	49	54				
100	60	54	53	51	53	47	46	44	46				
100	80	55	53	50	51	46	45	41	43				
100	100	55	54	50	50	47	44	40	40				

## Ordering Information

Explanation of Catalog Number. Example: MBS2GPW1FT120BFGLR

<b>MB</b> Mini-Beam Direct/Indirect Recessed with Perforated Mesh Shield	<b>S</b> Body Style: S = Static	<b>2</b> Fixture Width	<b>G</b> Ceiling Type: Fits both Standard Grid and Slot Grid	<b>P</b> Perforated Lamp Shield	<b>W</b> White Reflector	<b>1</b> Lamp Quantity	<b>FT</b> Lamp: (By others) FT = TT5	<b>120 or 277</b> Voltage:	<b>BF = 55 watt TT5 &lt;10THD RS BE = 50 watt TT5 &lt;20THD RS SB = 40 watt TT5 &lt;20THD IS</b> Ballast:	<b>Options:</b> Add appropriate suffix to catalog no. ie: (GLR)
<b>MN</b> For Local 3 Manufacturing										

For Local 3 Manufacturing, substitute **MN** for **MB**. Example: MNS2GPW1FT120BFGLR

## Options/Accessories

**Fusing:** Internal fast-blow fusing. Suffix: **GLR**.

Internal slow-blow fusing. Suffix: **GMF**.

**Electrical/Wiring Options:** Consult factory.

## Specifications

**Performance:** In an installation of 1 lamp 55W luminaires in a room cavity of 1, with reflectance of 80% ceiling, 50% walls, 20% floor, the C.U. shall not be less than .69. To reduce glare the average brightness at 65° shall not exceed 3804 candelas per square meter. To control veiling reflections, luminaire output in the 30°-90° zone shall not be less than 74.8%.

**Materials: Housing** is die-formed 20 gauge steel.

**Finish: Chassis exterior**—baked white acrylic enamel. **Reflector**—baked flat white acrylic enamel, minimum 86% reflectance. Phosphate undercoating.

**Lamp Shield**—baked flat white acrylic enamel.

**Electrical:** Thermally protected class "P" ballast C.B.M. approved, non PCB. If K.O. is within 3" of ballast, use wire suitable for at least 90°.

**Labels:** I.B.E.W./UL and ULc Listed.

## Job Information

**Type:**

**Lightolier** a Genlyte Thomas Company [www.lightolier.com](http://www.lightolier.com)  
 Technical Information: (978) 657-7600 • Fax (978) 658-0595  
 631 Airport Road, Fall River, MA 02720 • (508) 679-8131 • Fax (508) 674-4710  
 We reserve the right to change details of design, materials and finish.  
 Copyright 2004 Lightolier **Section5/Folio M20-15**

**LIGHTOLIER**