

Mini-Beam HP 2' x 2' Recessed Fluorescent **MBS2GHP224** or **1FT**

Page 1 of 2

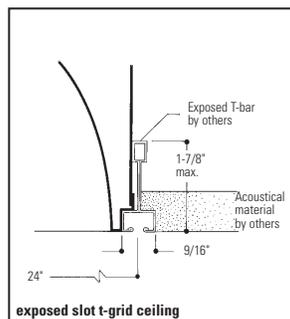
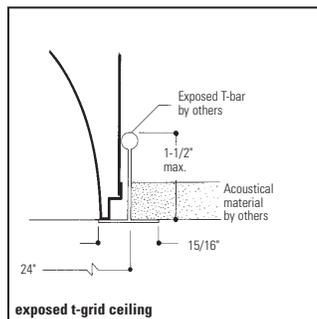
Direct/Indirect, Static, 2 Lamp, Linear T5, 24 Watt, 1 Lamp TT5

Features

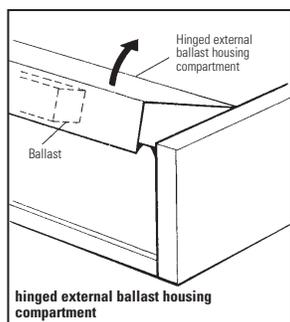
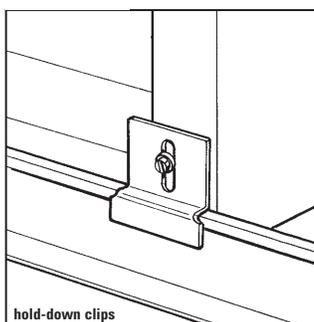
- Direct/indirect lamp shield appearance with soft contoured interior.
- Four inch wide with white acrylic lens.
- 85.3% efficient (2 lamp 24W).
- 83.3% efficient (1 lamp 40W).
- 1.4 spacing mounting ratio (2 lamp 24W).
- 1.5 spacing mounting ratio (1 lamp 40W).
- Only 5-1/2" deep.
- Same fixture fits both G and T ceiling types.
- Fits flush to face of slot grid (T) ceiling types.
- Lamp shield hinges from either side.
- Hinged external ballast housing compartment.
- Can be continuous row mounted.
- Wiring access plate standard.
- 4 hold-down clips standard.
- Housing is 20 gauge steel, meets NYC Code requirements.
- Optional DALI ballast accepts digital dimming commands from computers, scene controllers and automatic control devices.



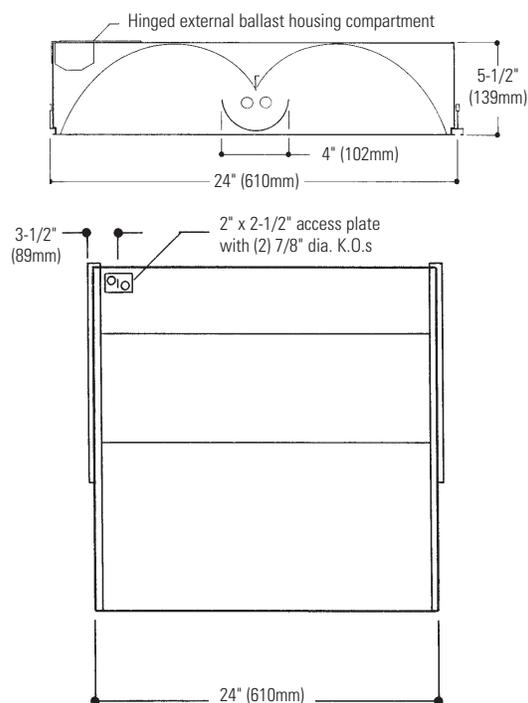
Mounting Methods



Features



Dimensions



Job Information

Type:

Job Name:

Cat. No.:

Lamp(s):

Volts/Ballast:

Lightolier a Genlyte company

www.lightolier.com

Technical Information: (978) 657-7600 • Fax (978) 658-0595

631 Airport Road, Fall River, MA 02720 • (508) 679-8131 • Fax (508) 674-4710

We reserve the right to change details of design, materials and finish.

© 2006 a Genlyte company

Section 5/Folio M20-28

Mini-Beam HP 2' x 2' Recessed Fluorescent **MBS2GHP224 or 1FT**

Model No. MBS2GHP224UNVPG

LER = FP -64.4 IW - 52.8 BF - 1.00
Comparative yearly lighting energy cost per 1000 lumens = \$3.73

Report Number: G2005301
Catalog Number: MBS2GHP224UNVPG
Lamps: FP24/835 HO
Luminaire: Mini-Beam HP (High Performance) with 4" wide 150/1 acrylic lens
Ballast: Triad B224PUNV-D
Report is based on 2000 Lumens per lamp.
Efficiency: 85.3%
CIE Type-Direct-Indirect
Plane: 0-Deg 90-Deg
Spacing Criteria: 1.3 1.4
Shielding Angles: 55 65
Plane: 0-Deg 90-Deg
Luminous Length: 22.920 22.920

CANDELA DISTRIBUTION

	0.0	45.0	90.0	FLUX
0	1021	1021	1021	
5	1015	1030	1045	99
15	979	1035	1099	296
25	911	1030	1062	465
35	814	939	949	571
45	687	800	873	613
55	532	637	713	566
65	348	449	520	439
75	169	285	355	286
85	31	79	94	79
90	0	0	0	

COEFFICIENTS OF UTILIZATION - ZONAL CAVITY METHOD. EFFECTIVE FLOOR CAVITY REFLECTANCE 0.20

RC	80	50	30
RW 70	50	30	10
1	92	88	84
2	84	76	70
3	76	67	59
4	69	59	51
5	64	52	44
6	59	47	39
7	54	42	35
8	50	39	31
9	47	35	28
10	44	34	26

LUMINANCE DATA IN CANDELA/SQ. METER

AVERAGE IN DEG.	AVERAGE 0-DEG.	AVERAGE 45-DEG.	AVERAGE 90-DEG.
45	2866.	3337.	3641.
55	2736.	3276.	3666.
65	2429.	3134.	3629.
75	1926.	3248.	4046.
85	1049.	2673.	3131.

ZONAL LUMEN SUMMARY

ZONE	LUMENS	% LAMP	% FIXT
0- 30	860	21.5	25.2
0- 40	1431	35.8	41.9
0- 60	2610	65.2	76.5
0- 90	3413	85.3	100.0
90-180	0	0.0	0.0
0-180	3413	85.3	100.0

Model No. MBS2GHP1FT120SB

LER = FP - 68.5 IW - 39.7 BF - 1.0
Comparative yearly lighting energy cost per 1000 lumens = \$3.64

Report Number: G2005303
Catalog Number: MBS2GHP1FT120SB
Lamps: 40W TT5
Luminaire: Mini-Beam HP (High Performance) with 4" wide 150/1 acrylic lens
Ballast: RCN-1TTP40-SC
Report is based on 3150 Lumens per lamp.
Efficiency: 83.3%
CIE Type-Direct-Indirect
Plane: 0-Deg 90-Deg
Spacing Criteria: 1.2 1.5
Shielding Angles: 90 90
Plane: 0-Deg 90-Deg
Luminous Length: 22.800 22.800

CANDELA DISTRIBUTION

	0.0	45.0	90.0	FLUX
0	778	778	778	
5	774	780	788	75
15	745	793	828	223
25	689	777	811	352
35	610	720	754	440
45	513	632	684	476
55	399	501	543	437
65	270	350	395	339
75	136	219	268	220
85	28	64	80	64
90	2	2	2	

COEFFICIENTS OF UTILIZATION - ZONAL CAVITY METHOD. EFFECTIVE FLOOR CAVITY REFLECTANCE 0.20

RC	80	50	30
RW 70	50	30	10
1	90	86	82
2	82	74	68
3	74	65	58
4	68	57	50
5	62	51	43
6	57	46	38
7	53	41	34
8	49	38	30
9	46	34	27
10	43	32	25

LUMINANCE DATA IN CANDELA/SQ. METER

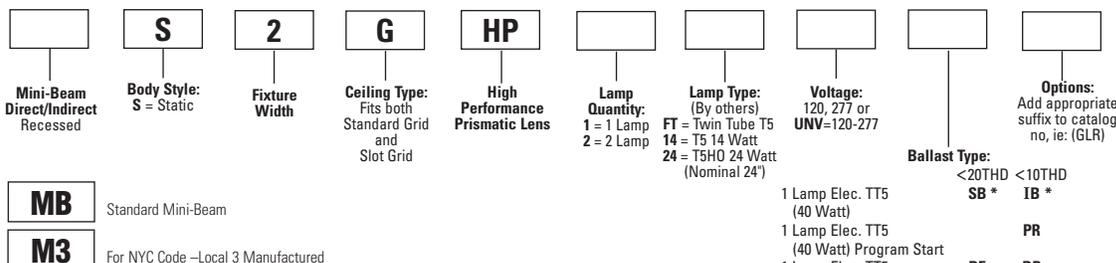
AVERAGE IN DEG.	AVERAGE 0-DEG.	AVERAGE 45-DEG.	AVERAGE 90-DEG.
45	2162.	2664.	2883.
55	2073.	2603.	2822.
65	1904.	2468.	2786.
75	1566.	2522.	3086.
85	958.	2189.	2736.

ZONAL LUMEN SUMMARY

ZONE	LUMENS	% LAMP	% FIXT
0- 30	650	20.6	24.8
0- 40	1090	34.6	41.5
0- 60	2002	63.6	76.3
0- 90	2625	83.3	100.0
90-180	0	0.0	0.0
0-180	2625	83.3	100.0

Ordering Information

Explanation of Catalog Number. Example: MBS2GHP224UNVPG



Options/Accessories

Fusing: Internal fast-blow fusing. Suffix: **GLR**.
Internal slow-blow fusing. Suffix: **GMF**.

Electrical/Wiring Options: Consult factory.

Specifications

Performance: In an installation of 2 lamp 24W luminaires in a room cavity of 1, with reflectance of 80% ceiling, 50% walls, 20% floor, the C.U. shall not be less than .88. To reduce glare the average brightness at 65° shall not exceed 3629 candelas per square meter. To control veiling reflections, luminaire output in the 30°-90° zone shall not be less than 74.8%.

Materials: Housing is die-formed 20 gauge steel.

Finish: Chassis exterior—baked white acrylic enamel. **Reflector**—baked flat white acrylic enamel, minimum 86% reflectance. Phosphate undercoating.

Lamp Shield—white virgin acrylic lens.

Electrical: Thermally protected class "P" ballast C.B.M. approved, non PCB. If K.O. is within 3" of ballast, use wire suitable for at least 90°.

Labels: I.B.E.W./UL and ULc Listed.

Job Information Type:

Lightolier a Genlyte company www.lightolier.com
Technical Information: (978) 657-7600 • Fax (978) 658-0595
631 Airport Road, Fall River, MA 02720 • (508) 679-8131 • Fax (508) 674-4710
We reserve the right to change details of design, materials and finish.
© 2006 a Genlyte company **Section 5/Folio M20-28**

LIGHTOLIER