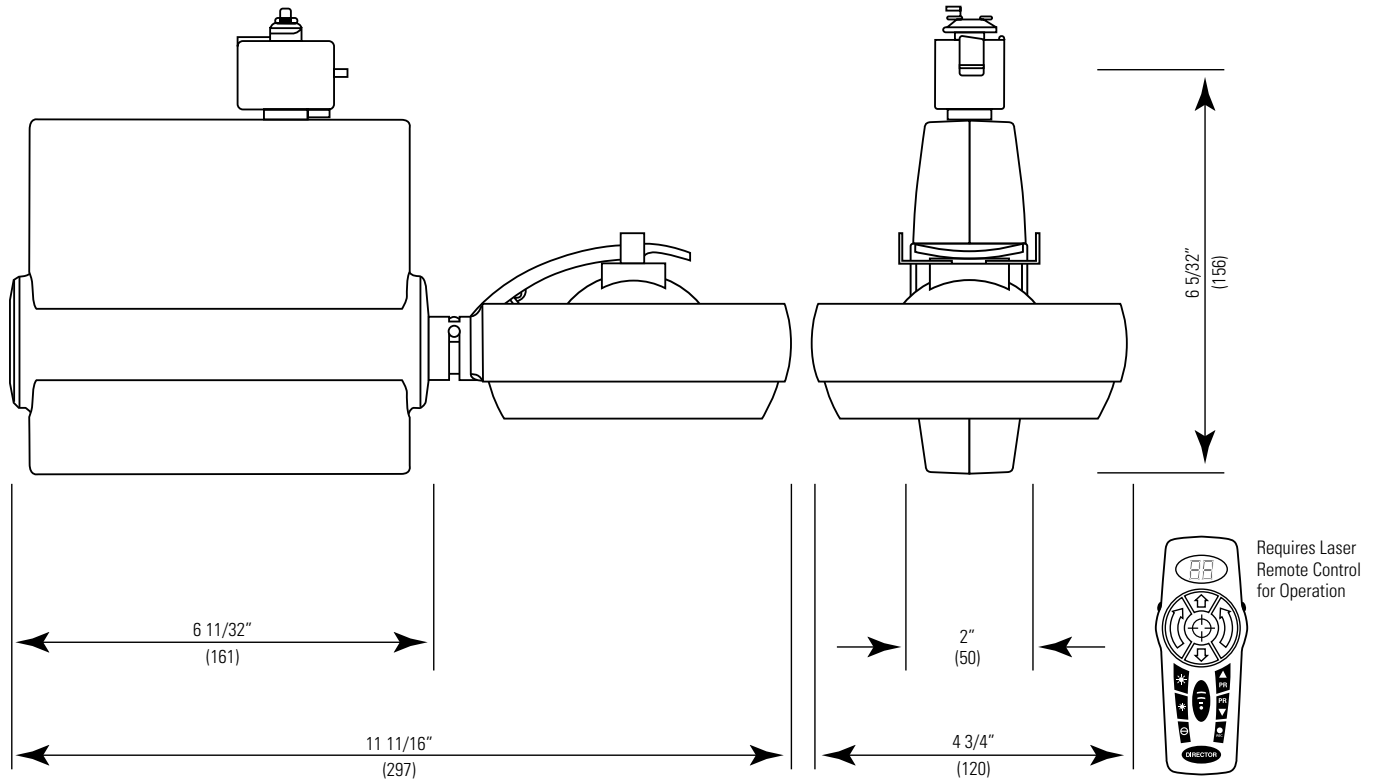


# Lytespan® Track Lighting System **DRL11**



**Ordering Information**

( ) Denotes dimensions in mm

Catalog No.	Finishes	Track Mounting	Lamp
<b>DR2LS11WH</b> <b>DR2LS11BK</b> <b>DR2LS11SL</b>	White Black Silver	Compatible with Lytespan Basic, Radius and Advent Track Systems; and all Multipoint and Monopoints. DO NOT USE with Extension Wands, Sloped Ceiling Adapter or ProSpec Track.	AR111, 75W Max. PAR36 12V, 75W Max.

**Description**

Remote controlled spotlight that can be mounted anywhere along the track and remotely aimed through the use of a hand-held controller.

**Features**

1. Full remote control of pan and tilt movement to aim at any object below the luminaire.
2. Lamp brightness can be adjusted in 1% steps.
3. Compatible with external dimming systems.
4. Positions and dim setting can be recorded for future use.
5. Continuous movement and sequencing option.
6. Die-cast aluminum housing.
7. Electronic low voltage transformer.

**Options & Accessories**

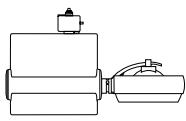
- Accepts 2 accessories max.
- AF3 Diffusion Filters
- ADF3 Color Filters
- AL3HC Hex Cell Louver

**Labels**

cULus Classified

Job Information	Type:
<b>Job Name:</b>	
<b>Cat. No.:</b>	
<b>Lamp(s):</b>	
<b>Notes:</b>	

**LIGHTOLIER**®



# Lytespan® Track Lighting System **DRL11**

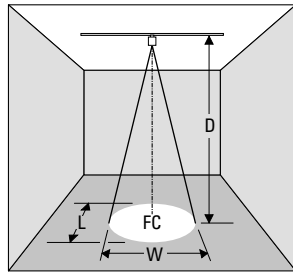
## Lighting Data

### Aiming Angle

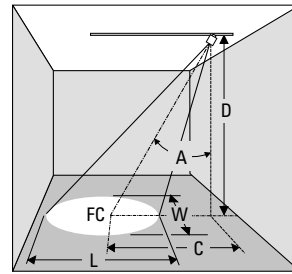
- L** Beam Length
- W** Beam Width
- C** Distance to center beam
- D** Distance
- A** Aiming Angle
- FC** Footcandles

L and W are the outer points where the candle power drops to 50% of the maximum. FC are the initial footcandles at the center of the beam.

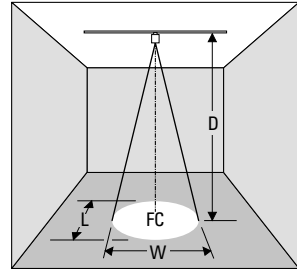
0°



30°, 45° or 60° Horizontal



30°, 45° or 60° Vertical



### LAMP

Beam Spread 50% Max CP	Beam Center C.P. Candelas	Rated Life-Hrs
3°	45000	2000
10°	15000	2000
30°	2000	2000
5°	50000	2000
10°	20000	2000
30°	3000	2000
10°	25000	2000
30°	4500	2000
60°	1300	2000

### 0° AIMING ANGLE

### A=30° AIMING ANGLE

### A=45° AIMING ANGLE

### A=60° AIMING ANGLE

D	FC	L	W
15'	200	0.8'	0.8'
20'	113	1.0'	1.0'
25'	72	1.3'	1.3'
30'	50	1.6'	1.6'
8'	234	1.4'	1.4'
12'	104	2.1'	2.1'
16'	59	2.8'	2.8'
20'	38	3.5'	3.5'
4'	125	2.1'	2.1'
6'	56	3.2'	3.2'
8'	31	4.3'	4.3'
10'	20	5.4'	5.4'
15'	222	1.3'	1.3'
20'	125	1.7'	1.7'
25'	80	2.2'	2.2'
30'	56	2.6'	2.6'
10'	200	1.7'	1.7'
15'	89	2.6'	2.6'
20'	50	3.5'	3.5'
25'	32	4.4'	4.4'
6'	83	3.2'	3.2'
8'	47	4.3'	4.3'
10'	30	5.4'	5.4'
12'	21	6.4'	6.4'
10'	250	1.7'	1.7'
15'	111	2.6'	2.6'
20'	63	3.5'	3.5'
25'	40	4.4'	4.4'
6'	125	3.2'	3.2'
8'	70	4.3'	4.3'
10'	45	5.4'	5.4'
12'	31	6.4'	6.4'
3'	144	3.5'	3.5'
5'	52	5.8'	5.8'
7'	27	8.1'	8.1'
9'	16	10.4'	10.4'

D	C	FC	L	W
10'	5.8'	292	0.7'	0.6'
15'	8.7'	130	1.0'	0.9'
20'	11.5'	73	1.4'	1.2'
25'	14.4'	47	1.7'	1.5'
7'	4.0'	199	1.6'	1.4'
10'	5.8'	97	2.3'	2.0'
13'	7.5'	58	3.0'	2.6'
16'	9.2'	38	3.7'	3.2'
3'	1.7'	144	2.2'	1.9'
5'	2.9'	52	3.7'	3.1'
7'	4.0'	27	5.1'	4.3'
9'	5.2'	16	6.6'	5.6'
8'	4.6'	203	1.9'	1.6'
12'	6.9'	90	2.8'	2.4'
16'	9.2'	51	3.7'	3.2'
20'	11.5'	32	4.7'	4.0'
8'	4.6'	254	1.9'	1.6'
12'	6.9'	113	2.8'	2.4'
16'	9.2'	63	3.7'	3.2'
20'	11.5'	41	4.7'	4.0'
5'	2.9'	117	3.7'	3.1'
7'	4.0'	60	5.1'	4.3'
9'	5.2'	36	6.6'	5.6'
11'	6.4'	24	8.1'	6.8'
3'	1.7'	94	5.2'	4.0'
5'	2.9'	34	8.7'	6.7'
7'	4.0'	17	12.1'	9.3'
9'	5.2'	10	15.6'	12.0'

D	C	FC	L	W
8'	8.0'	249	0.8'	0.6'
12'	12.0'	110	1.3'	0.9'
16'	16.0'	62	1.7'	1.2'
20'	20.0'	40	2.1'	1.5'
5'	5.0'	212	1.8'	1.2'
7'	7.0'	108	2.5'	1.7'
9'	9.0'	65	3.2'	2.2'
11'	11.0'	44	3.9'	2.7'
3'	3.0'	79	3.5'	2.3'
4'	4.0'	44	4.6'	3.0'
5'	5.0'	28	5.8'	3.8'
6'	6.0'	20	6.9'	4.5'
6'	6.0'	196	2.1'	1.5'
9'	9.0'	87	3.2'	2.2'
12'	13.0'	49	4.2'	3.0'
15'	15.0'	31	5.3'	3.7'
6'	6.0'	246	2.1'	1.5'
9'	9.0'	109	3.2'	2.2'
12'	13.0'	61	4.2'	3.0'
15'	15.0'	39	5.3'	3.7'
3'	3.0'	177	3.5'	2.3'
4'	4.0'	64	5.8'	3.8'
5'	5.0'	32	8.1'	5.3'
6'	6.0'	20	10.4'	6.8'
2'	2.0'	115	6.9'	3.3'
3'	3.0'	51	10.4'	4.9'
4'	4.0'	29	13.9'	6.5'
5'	5.0'	18	17.3'	8.2'

D	C	FC	L	W
5'	8.7'	225	1.0'	0.5'
8'	13.9'	88	1.7'	0.8'
11'	19.1'	46	2.3'	1.2'
14'	24.2'	29	2.9'	1.5'
3'	5.2'	208	2.1'	1.0'
4'	6.9'	117	2.9'	1.4'
5'	8.7'	75	3.6'	1.7'
6'	10.4'	52	4.3'	2.1'
1'	1.7'	250	2.7'	1.1'
2'	3.5'	63	5.5'	2.1'
3'	5.2'	28	8.2'	3.2'
4'	6.9'	16	10.9'	4.3'
5'	8.7'	250	1.8'	0.9'
8'	13.9'	98	2.8'	1.4'
11'	19.1'	52	3.9'	1.9'
14'	24.2'	32	4.9'	2.4'
4'	6.9'	156	2.9'	1.4'
6'	10.4'	69	4.3'	2.1'
8'	13.9'	39	5.7'	2.8'
10'	17.3'	25	7.2'	3.5'
4'	6.9'	195	2.9'	1.4'
6'	10.4'	87	4.3'	2.1'
8'	13.9'	49	5.7'	2.8'
10'	17.3'	31	7.2'	3.5'
2'	3.5'	141	5.5'	2.1'
3'	5.2'	63	8.2'	3.2'
4'	6.9'	35	10.9'	4.3'
5'	8.7'	23	13.7'	5.4'
1'	1.7'	163	†	2.3'
2'	3.5'	41	†	4.6'
3'	5.2'	18	†	6.9'
4'	6.9'	10	†	9.2'

(† Exceeds usable limits.)

### Job Information

Type:

Lightolier a Genlyte Thomas Company [www.lightolier.com](http://www.lightolier.com)  
 631 Airport Road, Fall River, MA 02720 • (508) 679-8131 • Fax (508) 674-4710  
 We reserve the right to change details of design, materials and finish.  
 © 2004 Genlyte Thomas Group LLC (Lightolier Division) • 03/15/04

**LIGHTOLIER®**