

Ordering Information

Catalog No.	Finishes	Track Mountings	Lamps
9479WH	Matte White	Compatible with all Lytespan® Track Systems. Not compatible with ProSpec Track, Clamp-On Monopoint, Slope Ceiling Adapter or Extension Wands.	2 x 54W T5 High Output (Fluorescent)
9479TM	Dark Titanium		
9479AL	Metallic Aluminum		
9480WH	Matte White		1 x 54W T5 High Output (Fluorescent)
9480TM	Dark Titanium		
9480AL	Metallic Aluminum		

Features

- Ballast & Reflector Housing:** Aluminum with die-cast endcaps.
- Ballast:** 54W electronic ballast.
- Flood Reflector:** Aluminum, with high reflectivity and semispecular finish for a smooth wash of light.
- Louver:** Aluminum, for glare control, with captive locking springs for easy installation and removal.
- Vertical Pivot:** Die cast rotation housing with positive rotation stop provides 360° max. vertical rotation for uplight and downlight aiming.
- Sockets:** 600v rated mini bi pin sockets with 90° rotor lock to engage contacts and retain with a positive detent.
- Socket Bracket:** Adjustable steel mounting bracket slides out for easy lamping and relamping.
- Power Stem:** High temperature molded polycarbonate, secures mechanically into track and makes electrical contact to energize the luminaire.
- Brass Contact:** Extends for connection to second circuit in Advent® Lytespan track.
- Power Cord:** 18ga, 105°C, SVT insulated flexible cord. 6' supplied.
- Cable Suspension Housing:** Molded polycarbonate with grip-lock™ cable wrap-around feature for suspension height adjustability, covers with snap-in feature.
- Dual Cable Suspension:** 1/32" diameter stranded stainless steel cable, up to 6' max suspension adjustability from ceiling.
- Cord Retainer:** Attaches to suspension cable for neat cord dressing suspension.

Electrical

Rapid Start High Power Factor, Class P Electronic Ballast
Power Factor: >.97%
Sound Rated: A
Minimum Start Temp: 0°F
Input Watts: 9479 117W
 9480 59W

Finish

All painted finishes are baked enamel.

Labels

UL, c.U.L.

Advent® is a registered trademark of Lightolier.

Job Information	Type:
Job Name:	
Cat. No.:	
Lamp(s):	
Notes:	

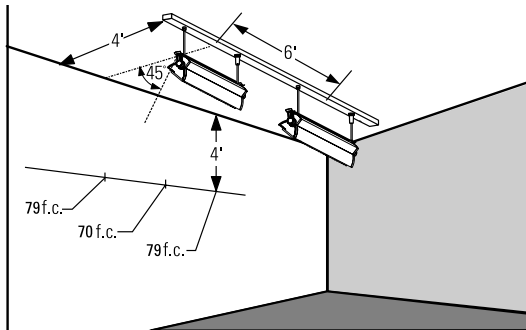
Lightolier a Genlyte Thomas Company www.lightolier.com
 631 Airport Road, Fall River, MA 02720 • (508) 679-8131 • Fax (508) 674-4710
 We reserve the right to change details of design, materials and finish.
 © 2002 Genlyte Thomas Group LLC (Lightolier Division) • B0902

LIGHTOLIER®

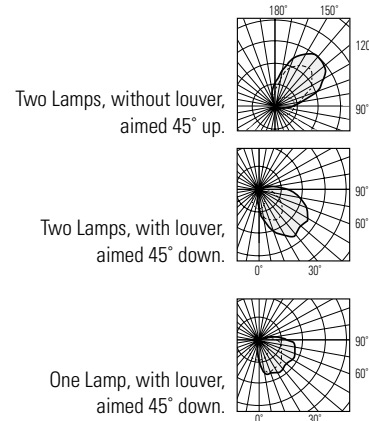


Lighting Data 2-54W T5 High output

Footcandles on wall:



Lamp Information:
 2 X 54W T5 High Output
 Mini Bi-Pin Fluorescent (9479)
 1 x 54W T5 High Output
 Mini Bi Pin Fluorescent (9480)



EXAMPLE: With track located 4' from wall and multiple units spaced 6' on center and aimed 45° from horizontal, the illumination on wall 4' from luminaire will be 79 f.c. beneath units and 70 f.c. between units.

Footcandles on Wall

Track 3 Feet From Wall		Single Unit						Multiple Units								
		0'	1'	2'	3'	4'	5'									
Distance From Luminaire		Beam Center														
	1'	198	176	118	60	28	14	263	258	263	231	184	231	218	127	218
	2'	158	142	90	52	24	10	209	206	209	180	150	180	168	106	168
	3'	103	94	69	41	22	10	149	148	149	124	112	124	112	84	112
	4'	68	63	49	33	20	12	116	116	116	97	92	97	87	74	87
	5'	40	38	30	22	14	8	71	71	71	57	55	57	49	44	49
	6'	26	25	21	16	12	8	56	56	56	47	46	47	41	38	41
	7'	17	16	14	11	8	6	38	38	38	31	31	31	27	26	27
	8'	11	11	10	8	6	5	27	27	27	22	22	22	19	18	19
	9'	8	8	7	6	5	4	22	22	22	18	18	18	16	15	16

Track 4 Feet From Wall		Single Unit						Multiple Units								
		0'	1'	2'	3'	4'	5'									
Distance From Luminaire		Beam Center														
	1'	113	101	71	39	17	6	145	143	145	123	106	123	114	76	114
	2'	114	104	77	47	25	12	164	163	164	136	123	136	123	92	123
	3'	87	80	62	40	24	13	136	135	136	110	103	110	97	79	97
	4'	63	59	47	34	22	13	112	112	112	91	88	91	79	70	79
	5'	46	44	36	27	19	13	93	93	93	77	75	77	66	62	66
	6'	31	30	25	20	14	10	66	66	66	54	53	54	46	43	46
	7'	22	21	18	15	11	8	50	50	50	41	40	41	35	34	35
	8'	16	15	13	11	9	7	41	42	42	35	34	35	30	29	30
	9'	11	11	10	8	7	6	31	32	32	26	26	26	23	22	23

Track 5 Feet From Wall		Single Unit						Multiple Units								
		0'	1'	2'	3'	4'	5'									
Distance From Luminaire		Beam Center														
	1'	81	75	59	40	25	15	140	139	140	115	109	115	102	86	102
	2'	83	77	61	42	27	16	147	147	147	121	116	121	107	93	107
	3'	75	70	57	41	28	18	143	143	143	118	115	118	104	94	104
	4'	55	52	43	32	23	15	109	109	109	89	87	89	76	71	76
	5'	42	40	34	27	19	14	89	89	89	73	71	73	62	59	62
	6'	33	31	27	22	17	12	76	76	76	62	61	62	53	51	53
	7'	25	24	21	17	14	11	62	62	62	51	50	51	44	42	44
	8'	18	17	15	13	10	8	46	46	46	37	37	38	32	31	32
	9'	13	13	12	10	9	7	39	39	39	32	32	32	27	27	27

Footcandles are average and rounded off and data for multiple units are based on a minimum of five units.

Job Information	Type:
------------------------	--------------

Lightolier a Genlyte Thomas Company
 631 Airport Road, Fall River, MA 02720 • (508) 679-8131 • Fax (508) 674-4710
 We reserve the right to change details of design, materials and finish.
 © 2002 Genlyte Thomas Group LLC (Lightolier Division) • B0902

LIGHTOLIER®