

Ordering Information

Catalog No.	Finishes	Track Mountings	Ballast Module	Lamp
83W7WH 83W7BK 83W7AL	Matte White Matte Black Metallic Aluminum	All Lytespan [®] Track systems and Multi-point. All PowerArc [™] Modular canopies, extension wands, mounting brackets or pipe clamps. Not compatible with ProSpec [®] or ATOM [®] .	Use one of: 83B70SE 83B70M 83CY70E 83B10E 83B10M 83B70E	ED-17 or E-17 Clear, Protected Ceramic Metal Halide, 100W Max. (For Open Luminaires)

Features

- Housing:** .10" thick extruded aluminum body with die cast end caps.
- Vertical Pivot:** 0 - 180° vertical adjustment.
- Horizontal Pivot:** Die cast track adapter with positive infinite rotation.
- Track Attachment Fitting:** Molded polycarbonate; rotates into track.
- Power Connector:** 5kv rated with insulated pins, connects to ballast module. Keyed for polarity.
- End Caps:** Die-cast aluminum.
- Socket:** 5kv rated ceramic body socket with nickel plated lamp contacts.

Accessories

83EW18WH, BK, AL	18" Extension Wand	} Compatible with 83B70E and magnetic ballasts only
83EW48WH, BK, AL	48" Extension Wand	
83EC72WH, BK	6' Extension Cord	
83PCWH, BK	Pipe Clamp	
83MPTWH, BK	Mounting Bracket	

Electrical

See ballast module spec sheet.

Finish

All painted finishes are baked enamel.

Labels

UL, cUL

Job Information

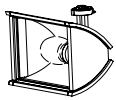
Type:

Job Name:

Cat. No.:

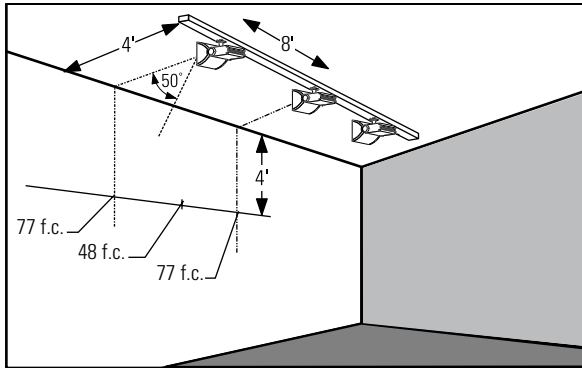
Lamp(s):

Notes:



Lighting Data

Footcandles on wall:



Lamp Information:

70W ED-17 Clear Ceramic Metal Halide
Initial Lumens: 5900
CRI: 82
Rated Avg. life: 10,000 hrs.
100W Multiply by 1.5

EXAMPLE: With track located 4' from wall and multiple units spaced 8' on center and aimed 50° from horizontal, the illumination on wall 4' from ceiling will be 77 f.c. beneath units and 48 f.c. between units.

Footcandles on Wall

Track 3 Feet From Wall

Single Unit

Distance From Ceiling	0' 1' 2' 3' 4' 5'						
	Beam Center						
1'	180	153	81	31	13	7	
2'	177	153	97	52	22	8	
3'	128	111	76	44	22	10	
4'	77	66	51	34	21	11	
5'	42	38	31	23	16	10	
6'	26	25	21	17	12	9	
7'	17	16	15	12	9	7	
8'	12	11	10	9	7	5	
9'	8	8	7	7	6	4	

Multiple Units

4'		5'		6'				
213	174	213	197	109	197	192	68	192
222	201	222	193	147	193	184	104	184
174	160	174	148	119	148	136	89	136
122	115	122	101	92	101	90	73	90
76	73	77	62	58	62	53	48	53
56	57	56	46	46	46	40	38	40
40	41	41	33	34	33	28	28	28
31	30	31	24	25	24	21	21	21
25	24	25	20	20	20	17	18	17

Track 4 Feet From Wall

Single Unit

Distance From Ceiling	0' 1' 2' 3' 4' 5'						
	Beam Center						
1'	80	76	52	25	9	3	
2'	109	99	73	47	25	11	
3'	94	87	67	45	28	16	
4'	73	66	53	38	25	15	
5'	50	46	38	29	21	14	
6'	32	29	25	21	16	12	
7'	21	20	18	15	12	9	
8'	15	14	13	12	10	8	
9'	11	11	10	9	8	6	

Multiple Units

6**		8**		10**				
89	58	89	84	24	84	84	14	84
118	98	118	113	48	113	112	27	112
105	94	105	98	56	98	96	33	96
87	76	87	77	48	77	75	31	75
64	57	64	53	39	53	51	27	51
46	41	46	36	31	36	33	22	33
33	31	33	26	24	26	23	18	23
25	24	25	20	18	20	17	14	17
19	19	19	16	15	16	13	12	13
15	15	15	12	12	12	11	10	11
12	12	12	10	10	10	9	8	9
10	9	10	8	8	8	7	6	7

Footcandles are average and rounded off and data for multiple units are based on a minimum of five units.

For 100W: Multiply values by 1.5 Rated Lamp Life 12,500 Hrs.

Job Information

Type:

Lightolier a Genlyte company www.lightolier.com
631 Airport Road, Fall River, MA 02720 • (508) 679-8131 • Fax (508) 674-4710
We reserve the right to change details of design, materials and finish.
© 2006 Genlyte Group LLC • C1106