

Ordering Information

Catalog No.	Finishes	Track Mountings	Ballast Module	Lamp
83W7UWH 83W7UBK 83W7UAL	Matte White Matte Black Metallic Aluminum	All Lytespan® Track systems and Multi-point. All PowerArc™ Modular canopies, extension wands, mounting brackets or pipe clamps. Not compatible with ProSpec® or ATOM®.	Use one of: 83B70E 83B70M 83CY70E 83B10E 83B10M 83B70SE	ED-17 or E-17 Clear, Ceramic Metal Halide, 100W Max.

Features

- Housing:** .10" thick extruded aluminum body with die cast end caps.
- Vertical Pivot:** 0 - 180° vertical adjustment.
- Horizontal Pivot:** Die cast track adapter with positive infinite rotation.
- Track Attachment Fitting:** Molded polycarbonate; rotates into track.
- Power Connector:** 5kv rated with insulated pins, connects to ballast module. Keyed for polarity.
- End Caps:** Die-cast aluminum.
- Socket:** 5kv rated ceramic body socket with nickel plated lamp contacts.
- Safety Lens Assembly:** Tempered 1/8" glass. Pivoting assembly for easy hands free relamping.

Accessories

83EW18WH, BK, AL	18" Extension Wand	} Compatible with 83B70E and magnetic ballasts only
83EW48WH, BK, AL	48" Extension Wand	
83EC72WH, BK	6' Extension Cord	
83PCWH, BK	Pipe Clamp	
83MPTWH, BK	Mounting Bracket	

Electrical

See ballast module spec sheet.

Finish

All painted finishes are baked enamel.

Labels

UL, cUL

Job Information

Type:

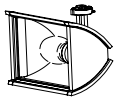
Job Name:

Cat. No.:

Lamp(s):

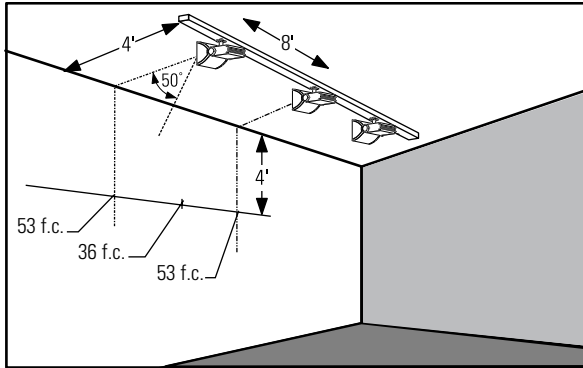
Notes:

Lightolier a Genlyte company www.lightolier.com
631 Airport Road, Fall River, MA 02720 • (508) 679-8131 • Fax (508) 674-4710
We reserve the right to change details of design, materials and finish.
© 2006 Genlyte Group LLC • D1106



Lighting Data

Footcandles on wall:



Lamp Information:

70W ED-17 Clear Ceramic Metal Halide
Initial Lumens: 6200
CRI: 82
Rated Avg. life: 10,000 hrs.
For 100W Multiply by 1.5.

EXAMPLE: With track located 4' from wall and multiple units spaced 8' on center and aimed 50° from horizontal, the illumination on wall 4' from ceiling will be 53 f.c. beneath units and 36 f.c. between units.

Footcandles on Wall

Track 3 Feet From Wall

Single Unit

Distance From Ceiling	0' 1' 2' 3' 4' 5'					
	Beam Center					
1'	132	111	62	27	11	6
2'	118	115	71	35	14	6
3'	91	88	59	32	14	7
4'	57	53	40	27	14	7
5'	35	33	26	19	13	7
6'	22	21	17	14	11	7
7'	15	14	12	10	8	7
8'	11	10	9	8	7	6
9'	8	8	7	6	5	5

Multiple Units

4'			5'			6'		
156	133	156	145	94	145	136	52	136
149	150	148	132	112	133	121	68	121
122	128	121	106	98	107	95	63	95
89	90	88	73	74	74	62	54	62
66	61	65	52	51	53	40	38	40
48	45	47	39	37	40	28	27	28
36	35	35	30	29	31	20	19	21
28	28	27	24	23	24	15	15	16
23	24	22	20	20	20	12	11	12

Track 4 Feet From Wall

Single Unit

Distance From Ceiling	0' 1' 2' 3' 4' 5'					
	Beam Center					
1'	70	63	44	26	13	6
2'	69	68	51	33	18	8
3'	61	63	51	33	19	9
4'	50	50	42	29	18	9
5'	35	34	29	22	16	9
6'	24	23	20	16	13	9
7'	17	16	14	11	9	7
8'	12	11	10	8	7	6
9'	8	8	8	6	5	5
10'	6	6	6	5	4	4
11'	5	5	4	4	3	3
12'	3	3	3	3	3	2

Multiple Units

6'			8'			10'		
77	53	77	73	26	73	71	12	71
77	67	77	72	36	72	70	17	70
71	66	71	64	38	64	63	19	63
59	59	59	53	36	53	51	18	51
45	46	45	39	32	39	37	19	37
35	33	35	28	26	28	26	18	26
27	24	27	20	19	20	19	15	19
21	18	21	16	15	16	13	12	13
16	14	16	12	11	12	10	10	10
12	11	12	10	9	10	8	8	8
10	9	10	8	7	8	6	6	6
8	7	8	6	6	6	5	5	5

Footcandles are average and rounded off and data for multiple units are based on a minimum of five units.

For 100W: Multiply values by 1.5 Rated Lamp Life 12,500 Hrs.

Job Information	Type:
------------------------	--------------

Lightolier a Genlyte company www.lightolier.com
631 Airport Road, Fall River, MA 02720 • (508) 679-8131 • Fax (508) 674-4710
We reserve the right to change details of design, materials and finish.
© 2006 Genlyte Group LLC • D1106