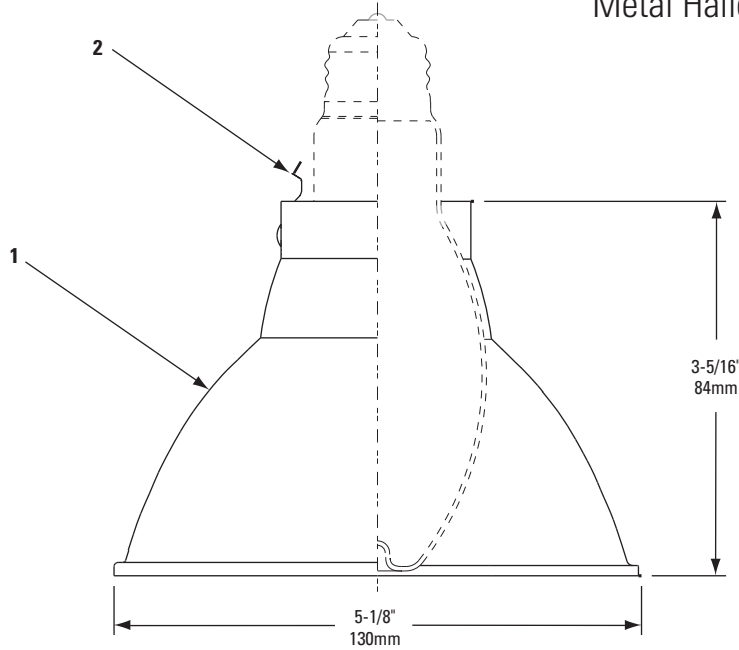




# Lytespan® Track Lighting System **83ED17RNS**



### Ordering Information

| Catalog No. | Finishes | Lamps   |
|-------------|----------|---|
| 83ED17RNS   | Anodized | ED-17 or E-17 Clear,<br>Protected or Unprotected Ceramic Metal Halide |

### Features

- 1. **Narrow Spot Reflector:** Aluminum, specular, anodized and sealed.
- 2. **Hold Spring:** (3) steel springs hold reflector into mating luminaire.

### For Use With Luminaires

Track: 8387, 8388, 8389 Metal Halide Lytespot® series.  
 Track: 8307, 8317, 8307U, 8317U  
 Semi-Recessed: SRE1770MH, SRE1710MH  
 Recessed Pull Down; PDE1770MH, PDE1710MH

### Finish

Specular Anodized and Sealed.

### Labels

UL, cUL

| Job Information  | Type: |
|------------------|-------|
| <b>Job Name:</b> |       |
| <b>Cat. No.:</b> |       |
| <b>Lamp(s):</b>  |       |
| <b>Notes:</b>    |       |



# Lytespan® Track Lighting System **83ED17RNS**

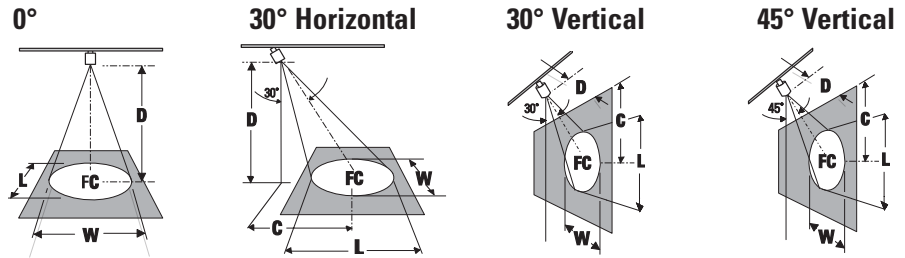
**AIMING ANGLE:**

- L** Beam Length
- W** Beam Width
- C** Distance to center beam

- D** Distance
- A** Aiming Angle
- FC** Footcandles

**L** and **W** are the outer points where the candle power drops to 50% of the maximum. **FC** are the initial footcandles at the center of the beam.

Lamp data shown is typical. Consult lamp manufacturers for availability and performance.



**Narrow Spot Reflector - with 70W ED17 Master Color Ceramic Metal Halide Philips Protected (Clear) Lamp for Open Luminaires**

**AIMING ANGLE:**

| Beam Spread<br>(To 50% CBCP) | CBCP   | Rated<br>Life (Hrs.) |
|------------------------------|--------|----------------------|
| 8" X 8"                      | 54,959 | 10,000               |

| 0° Horizontal Aiming |     |      |      |  | 30° Horizontal Aiming |       |     |      |      | 30° Vertical Aiming |       |     |      |      | 45° Vertical Aiming |     |     |      |      |
|----------------------|-----|------|------|--|-----------------------|-------|-----|------|------|---------------------|-------|-----|------|------|---------------------|-----|-----|------|------|
| D                    | FC  | L    | W    |  | D                     | C     | FC  | L    | W    | D                   | C     | FC  | L    | W    | D                   | C   | FC  | L    | W    |
| 12'                  | 382 | 1.7' | 1.7' |  | 10'                   | 5.8'  | 357 | 1.9' | 1.6' | 5'                  | 8.7'  | 275 | 2.8' | 1.4' | 8'                  | 8'  | 304 | 2.2' | 1.6' |
| 16'                  | 215 | 2.2' | 2.2' |  | 12'                   | 6.9'  | 248 | 2.2' | 1.9' | 6'                  | 10.4' | 191 | 3.4' | 1.7' | 10'                 | 10' | 194 | 2.8' | 2.0' |
| 20'                  | 137 | 2.8' | 2.8' |  | 20'                   | 11.5' | 89  | 3.7' | 3.2' | 10'                 | 17.3' | 69  | 5.7' | 2.8' | 16'                 | 16' | 76  | 4.5' | 3.2' |
| 24'                  | 95  | 3.4' | 3.4' |  | 25'                   | 14.4' | 57  | 4.7' | 4.0' | 12'                 | 20.8' | 48  | 6.8' | 3.4' | 20'                 | 20' | 49  | 5.6' | 4.0' |

For 50W: Multiply values by .68  
For 100W: Multiply values by 1.5

Rated Lamp Life 10,000  
Rated Lamp Life 12,500

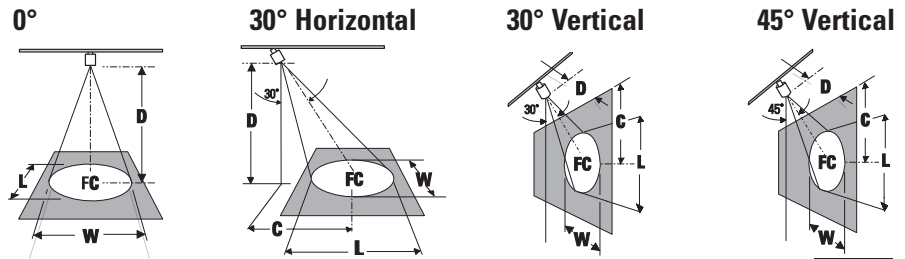
**AIMING ANGLE:**

- L** Beam Length
- W** Beam Width
- C** Distance to center beam

- D** Distance
- A** Aiming Angle
- FC** Footcandles

**L** and **W** are the outer points where the candle power drops to 50% of the maximum. **FC** are the initial footcandles at the center of the beam.

Lamp data shown is typical. Consult lamp manufacturers for availability and performance.



**Narrow Spot Reflector - When used in 8307U and 8317U with 70W ED17 Master Color Ceramic Metal Halide Philips (Clear) Lamp for Enclosed Luminaires**

**AIMING ANGLE:**

| Beam Spread<br>(To 50% CBCP) | CBCP   | Rated<br>Life (Hrs.) |
|------------------------------|--------|----------------------|
| 8" X 8"                      | 70,888 | 10,000               |

| 0° Horizontal Aiming |     |      |      |  | 30° Horizontal Aiming |       |     |      |      |
|----------------------|-----|------|------|--|-----------------------|-------|-----|------|------|
| D                    | FC  | L    | W    |  | D                     | C     | FC  | L    | W    |
| 12'                  | 492 | 1.7' | 1.7' |  | 10'                   | 5.8'  | 460 | 1.9' | 1.6' |
| 16'                  | 277 | 2.2' | 2.2' |  | 12'                   | 6.9'  | 320 | 2.2' | 1.9' |
| 20'                  | 177 | 2.8' | 2.8' |  | 20'                   | 11.5' | 115 | 3.7' | 3.2' |
| 24'                  | 123 | 3.4' | 3.4' |  | 25'                   | 14.4' | 74  | 4.7' | 4.0' |

| 30° Vertical Aiming |       |     |      |      | 45° Vertical Aiming |     |     |      |      |
|---------------------|-------|-----|------|------|---------------------|-----|-----|------|------|
| D                   | C     | FC  | L    | W    | D                   | C   | FC  | L    | W    |
| 5'                  | 8.7'  | 354 | 2.8' | 1.4' | 8'                  | 8'  | 392 | 2.2' | 1.6' |
| 6'                  | 10.4' | 246 | 3.4' | 1.7' | 10'                 | 10' | 251 | 2.8' | 2.0' |
| 10'                 | 17.3' | 89  | 5.7' | 2.8' | 16'                 | 16' | 98  | 4.5' | 3.2' |
| 12'                 | 20.8' | 62  | 6.8' | 3.4' | 20'                 | 20' | 63  | 5.6' | 4.0' |

For 50W: Multiply values by .68  
Rated Lamp Life 10,000  
For 100W: Multiply values by 1.5  
Rated Lamp Life 12,500

**Job Information** **Type:**

Lightolier a Genlyte Thomas Company www.lightolier.com  
631 Airport Road, Fall River, MA 02720 • (508) 679-8131 • Fax (508) 674-4710  
We reserve the right to change details of design, materials and finish.  
© 2003 Genlyte Thomas Group LLC (Lightolier Division) • D0104

**LIGHTOLIER**®