

Ordering Information

Catalog No.	Finishes	Track Mountings	Ballast Module	Lamp
8318WH 8318BK 8318AL	Matte White Matte Black Metallic Aluminum	All Lytespan® Track systems and Multi-point. All PowerArc™ Modular canopies, extension wands, mounting brackets or pipe clamps. Not compatible with ProSpec® or ATOM®. See ballast for details	Use one of: 83B70SE 83B70M 83B10E 83B10M 83CY70E 83B70E	PAR38 70W, 100W Ceramic Metal Halide

Features

- Housing:** Die cast aluminum body.
- Vertical Pivot:** 0-90° vertical adjustment.
- Horizontal Pivot:** Die cast track adapter with infinite rotation.
- Track Attachment Fitting:** Molded polycarbonate, rotates into track.
- Power Connector:** 5kv rated with insulated pins. Connects to ballast module. Keyed for polarity.
- Shade:** Die cast aluminum. Accepts Accessory Holders.
- Socket:** (not shown) 5kv pulse rated ceramic body socket with brass nickel plated screw shell.

Finish

All painted finishes are baked enamel.

Electrical

See ballast module spec sheet.

Labels

UL, cUL

Accessories

Note: 70W for use with Accessory Holder and two accessories max., or Snoot and two accessories max.
100W for use with Snoot or Accessory Holder and one AL4HC louver only.

- | | | |
|---------------------------|--|---|
| 8784 | Accessory Holder. Accepts 2 Accessories Max. | } Compatible with 83B70E and magnetic ballasts only |
| 83ED17S | Snoot Accessory Holder. Accepts 2 Accessories Max. | |
| ADF4 (4 3/4" dia.) | Color Filters | |
| AF4 (4 3/4" dia.) | Diffusion Filters | |
| AL4HC | Hex Cell Louver | |
| 83EW18WH, BK, AL | 18" Extension Wand | |
| 83EW48WH, BK, AL | 48" Extension Wand | |
| 83EC72WH, BK | 6' Extension Cord | |
| 83PCWH, BK | Pipe Clamp | |
| 83MPTWH, BK | Mounting Bracket | |

Job Information	Type:
Job Name:	
Cat. No.:	
Lamp(s):	
Notes:	

Lightolier a Genlyte company www.lightolier.com
631 Airport Road, Fall River, MA 02720 • (508) 679-8131 • Fax (508) 674-4710
We reserve the right to change details of design, materials and finish.
© 2006 Genlyte Group LLC • E1106

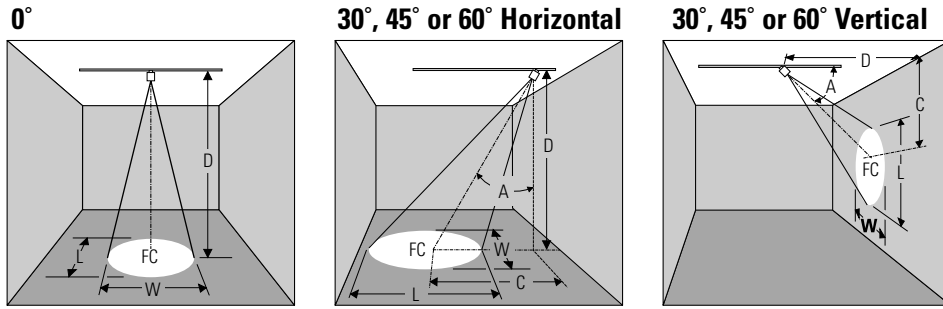
LIGHTOLIER®



Lighting Data Aiming Angle

- L** Beam Length
- W** Beam Width
- C** Distance to center beam
- D** Distance
- A** Aiming Angle
- FC** Footcandles

L and W are the outer points where the candle power drops to 50% of the maximum. FC are the initial footcandles at the center of the beam.



LAMP

Beam Spread 50% Max CP	Beam Center C.P. Candelas	Rated Life-Hrs
 70W PAR38 SP 15°	28000	7500
 70W PAR38 FL 30°	16000	7500
 70W PAR38 WFL 65°	4000	7500
 100W PAR38 SP 15°	40000	7500
 100W PAR38 FL 30°	21000	7500
 100W PAR38 WFL 65°	6000	7500

0° AIMING ANGLE

D	FC	L	W
10'	280	2.6'	2.6'
15'	124	3.9'	3.9'
20'	70	5.3'	5.3'
25'	45	6.6'	6.6'
8'	250	4.3'	4.3'
12'	111	6.4'	6.4'
18'	63	8.8'	8.8'
20'	40	10.7'	10.7'
6'	111	7.6'	7.6'
8'	63	10.2'	10.2'
10'	40	12.7'	12.7'
12'	28	15.3'	15.3'
15'	178	3.9'	3.9'
20'	100	5.3'	5.3'
25'	64	6.6'	6.6'
30'	44	7.9'	7.9'
10'	210	5.4'	5.4'
15'	193	8.0'	3.9'
20'	53	10.7'	10.7'
25'	34	13.4'	13.4'
6'	167	7.6'	7.6'
8'	94	10.2'	10.2'
10'	60	12.7'	12.7'
12'	42	15.3'	15.3'

A=30° AIMING ANGLE

D	C	FC	L	W
8'	4.6'	284	2.8'	2.4'
12'	6.9'	126	4.2'	3.6'
16'	9.2'	671	5.8'	4.9'
20'	11.5'	45	7.1'	6.1'
7'	3.5'	212	5.1'	4.3'
10'	4.0'	104	7.3'	6.2'
13'	5.8'	61	9.5'	8.0'
16'	7.5'	41	11.7'	9.9'
5'	2.9'	104	9.8'	7.4'
7'	4.0'	53	13.8'	10.3'
9'	5.2'	32	17.7'	13.2'
11'	8.4'	21	21.6'	16.2'
10'	5.8'	280	3.5'	3.0'
15'	6.7'	115	5.3'	4.5'
20'	11.5'	65	7.1'	6.1'
25'	14.4'	42	8.8'	7.6'
8'	4.6'	213	5.9'	5.0'
12'	6.9'	95	8.8'	7.4'
16'	9.2'	53	11.7'	9.9'
20'	11.5'	34	14.6'	12.4'
5'	2.9'	155	9.8'	7.4'
7'	4.0'	80	13.8'	10.3'
9'	5.2'	48	17.7'	13.2'
11'	8.4'	32	21.6'	16.2'

A=45° AIMING ANGLE

D	C	FC	L	W
6'	6.0'	275	3.2'	2.2'
9'	9.0'	122	4.8'	3.4'
12'	12.0'	69	6.4'	4.5'
15'	15.0'	44	8.0'	5.6'
5'	5.0'	226	5.8'	3.8'
7'	7.0'	115	8.1'	5.3'
9'	9.0'	70	10.4'	6.8'
11'	11.0'	47	12.7'	8.3'
3'	3.0'	157	12.9'	3.8'
5'	5.0'	57	21.4'	5.4'
7'	7.0'	29	30.0'	9.0'
9'	9.0'	17	38.6'	16.2'
8'	8.0'	221	4.3'	3.0'
12'	12.0'	98	6.4'	4.5'
16'	16.0'	55	8.6'	6.0'
20'	20.0'	35	10.7'	7.4'
6'	6.0'	206	6.9'	4.5'
9'	9.0'	92	10.4'	6.8'
12'	12.0'	52	13.9'	9.1'
15'	15.0'	33	17.3'	11.4'
3'	3.0'	236	12.9'	5.4'
5'	5.0'	95	21.4'	9.0'
7'	7.0'	43	30.0'	12.6'
9'	9.0'	26	38.6'	16.2'

A=60° AIMING ANGLE

D	C	FC	L	W
4'	6.9'	219	4.4'	2.1'
6'	10.4'	97	6.7'	3.2'
8'	13.9'	55	8.9'	4.2'
10'	17.3'	35	11.1'	5.3'
3'	5.2'	222	8.2'	3.2'
4'	6.9'	125	10.9'	4.3'
5'	8.7'	80	13.7'	5.4'
6'	10.4'	56	16.4'	6.4'
2'	3.5'	125	NA	5.1'
3'	5.2'	58	NA	7.6'
4'	6.9'	31	NA	10.2'
5'	8.7'	20	NA	12.7'
5'	8.7'	200	5.6'	2.6'
8'	13.9'	78	8.9'	4.2'
11'	19.1'	41	12.2'	5.8'
14'	24.2'	26	15.6'	7.4'
4'	6.9'	164	10.9'	4.3'
6'	10.4'	73	16.4'	6.4'
8'	13.9'	41	21.9'	8.6'
10'	17.3'	26	27.3'	10.7'
2'	3.5'	188	NA	5.1'
3'	5.2'	83	NA	7.6'
4'	6.9'	47	NA	10.2'
5'	8.7'	30	NA	12.7'

*Lamps are MasterColor Metal Halide by Philips Lighting.
Correlated Color Temperature = 3000K
Color Rendering Index = 83

Job Information

Type:

Lightolier a Genlyte company www.lightolier.com
631 Airport Road, Fall River, MA 02720 • (508) 679-8131 • Fax (508) 674-4710
We reserve the right to change details of design, materials and finish.
© 2006 Genlyte Group LLC • E1106